



# ***TENDASOL CALIFORNIA ELITE ALUMINIUM INSTRUCTIONS FOR ASSEMBLY AND RECOMMENDED USE***

READ THIS HANDBOOK IMMEDIATELY.

These instructions are provided for your safety and to facilitate the assembly of the CALIFORNIA ELITE awning.  
Please follow the instructions carefully.  
Failure to do so may result in injury or damage. If in doubt contact your dealer.

△ **This symbol indicates very important information. Follow instructions accompanied by this symbol with extreme care. This does not mean that the other information contained in this handbook is not important.**

Keep this handbook for future reference.

## ***IMPORTANT SAFETY INSTRUCTIONS***

△ **APPLIES TO ALL IN THIS SECTION**

### ***1. INSTRUCTIONS***

**Please read and follow all the instructions.**

**Damage or injury may result if the umbrella is not assembled and used as described herein.**

**For safe use it is essential that anyone using the umbrella read all the instructions in advance.**

**Only persons familiar with the safety aspects should operate this umbrella.**

### ***2. PRECAUTIONS***

**The CALIFORNIA ELITE serves as a protection from the sun, not as protection from all bad weather. It must be closed and protected with the enclosed protective cover in the presence of strong winds or thunderstorms, as well as in heavy rain or snow.**

**Always close the CALIFORNIA ELITE and replace protective covering at night, when you are not at home and whenever the umbrella is not under control.**

**Each base must be weighed down with a minimum weight of 100 kg (200 lbs).**

# ASSEMBLY INSTRUCTIONS

## **COMPONENTS (fig. 1):**

- A Bases (2 pcs.)
- B Base tubes (2 pcs.)
- C Long aluminium crossbars (2 pcs.)
- D Short aluminium crossbars (2 pcs.)
- E Right hand cantilever swivel block
- F Sliding canopy
- G 4 mm hex key
- H Protective covering
- I Vertical poles (2 pcs.)
- L Cantilever poles (2 pcs.)
- N Bag of hardware

## **BASE ASSEMBLY (fig. 2)**

Assemble the 2 bases as shown in fig. 2.

△ : **Tighten the base bolts well.**

## **BASE POSITIONING (fig. 2a, fig.3, 3a)**

1. (Fig.3) Lay out the 2 bases as shown in the fig at a distance of 452 cm (178 inches).

*IMPORTANT :* make sure the 2 bases are horizontal and lying on the same plane.

*Insert at least 4 concrete tiles per each base frame, using hook (W) as shown in fig. 2a. Add additional weight on bases (e.g. with two planters). Turn the levelling feet to adjust the height of the base on uneven surfaces. IMPORTANT:* Always the 2 brackets (J) per each base.

△ : **Each base must be weighed down with a minimum weight of 200 kgs. (400 lbs).**

3. (Fig. 3a) Slide the cantilever poles (L) into the vertical poles and fasten them with bolts (O).

4. (Fig. 3) Slide the assembled poles (I) onto the base poles (B).

*IMPORTANT :* make sure that the aluminium teeth are directed inwards and that the distance between the ends of the cantilever poles (L) is 452 cm (178 inches).

## **CANOPY MOUNTING WITH CROSSBARS (fig. 4, 5, 5a, 6, 6a, 7)**

1. (Fig.4) Lay out the canopy (F) and align the runners (P).

2. Remove the protective adhesive tape from the crossbars (C) and (D).

3. Slip the long crossbars (C) through the runners making sure that the screws (Q) are facing upwards.

4. (Fig.s 5, 5a) Insert the left hand swivel block (R) onto part (i) of the crossbars (C) and fasten with the key (G).

*IMPORTANT :* It is essential for proper function of the canopy sliding mechanism that the two ends of the cord are kept taut and untangled.

5. Remove the handwheel (Z).

6. (Fig. 6) Remove the two screws (Q) and slide the crossbar sections (C) and (D) together.

7. (fig. 6a) Re-insert the two screws (Q) and tighten well.

8. (Fig. 7) Slide the right hand swivel block (E) over the crossbar ends (D) so that the pulley is facing downwards. Tighten the two screws with the key (G).

9. Remove the handwheel (Z). **MOUNTING THE SLIDING CANOPY ON THE POLES (fig. 8)**

**IMPORTANT :** *this operation must be performed by two people.*

2. Raise the sliding canopy by gripping it by the swivel blocks (E) and (R).
3. Flip the canopy 180° and insert the swivel block screw (E) and (R) into the holes of the aluminium end casting of the cantilever poles (O).
4. Tightly screw the handwheels in (Z) to the swivel blocks (E) and (R).
5. Adjust the tilt position of the canopy by matching the teeth on the swivel blocks. Make sure the handwheel is opened several turns ON EACH SIDE before making an adjustment to the tilt position.
6. Check that the teeth are in proper locking position, then tighten the handwheel firmly.

### **USE OF THE TENDASOL CALIFORNIA ELITE (fig.s 9, 10, 11)**

**IMPORTANT :** *this operation is only to be performed when the sliding canopy is horizontal.*

1. (Fig. 9) Slide the carriers (P) with the locking thumbscrews against the left hand swivel block (R) and block them in position by gently tightening the handwheels.
2. (Fig. 10) Slide the taut, parallel cords onto the pulley of the right hand swivel block (E).

**IMPORTANT :** *It is essential for proper function of the canopy sliding mechanism that the two ends of the cord are kept taut and untangled.*

3. (Fig.s 10, 11) Pull one end of the cord and the canopy will slide fully open. Pull the other end of the cord and the canopy will close.
4. Block the cord in the rope cleat (V)

### **APPLICATION OF THE PROTECTIVE COVER (fig 12)**

Place the protective cover (H) on as shown in figure and fasten it with the zippers and ties.

**Δ Always close the CALIFORNIA ELITE and replace protective covering at night, when you are not at home and whenever the umbrella is not under control.**

### **REMOVAL OF THE CANOPY (fig.s 13, 13a, 13b)**

1. Lay out the sliding canopy as shown in fig. 13.
2. On one side only of the canopy (A) there are 8 open pockets (M). Take each of the 8 aluminium tubes (X) and press the spring (Y) to remove them.
3. Remove the 8 runners (P).
4. Remove the remaining 8 aluminium tubes (X') from the sliding canopy.

## **MAINTENANCE AND CARE**

### **WASHING THE COVER**

1. Remove the cover from the umbrella.
2. Wash the cover by hand in lukewarm water 30 °C (90 °F)
3. Allow the cover to dry but do not tumble dry or iron.
4. Replace the cover on the frame.

### **STORING THE UMBRELLA AT THE END OF THE SEASON**

At the end of the season, before storing your CALIFORNIA ELITE away, clean the frame with a damp cloth and dry.

**Δ : Check that no parts are damaged. Should any parts be damaged contact the dealer where it was purchased and order the spare parts.**

Touch up any chipped paint.

Lightly lubricate periodically all the moving parts with a good quality silicone spray.

For perfect conservation of the CALIFORNIA ELITE during the winter months, store the awning in a dry place.

**IMPORTANT:** *to avoid damage caused by mould or oxidation never put your CALIFORNIE ELITE away in wet or damp condition.*

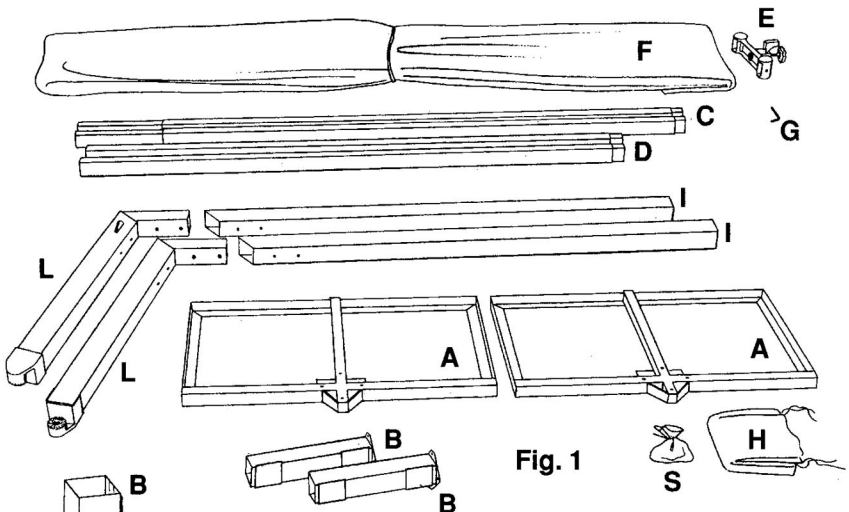


Fig. 1

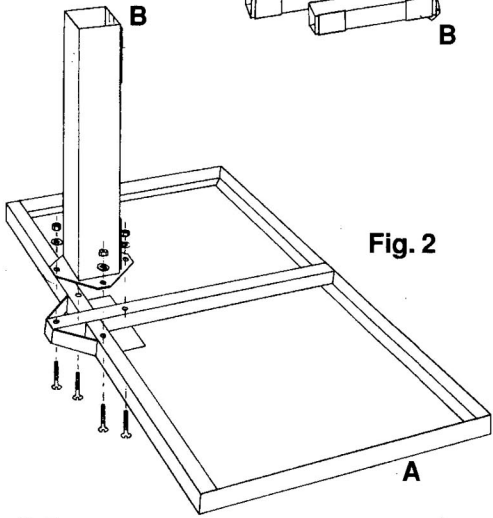


Fig. 2

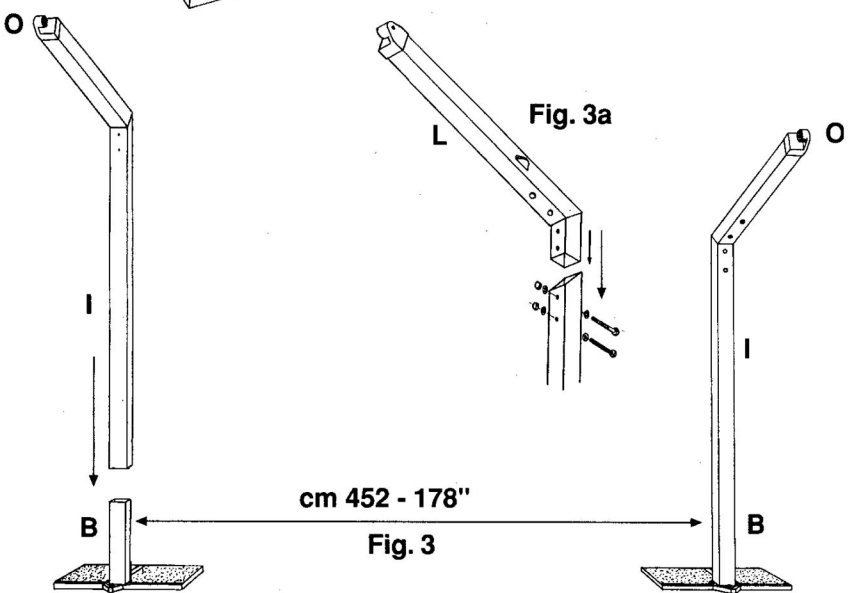


Fig. 3a

Fig. 3

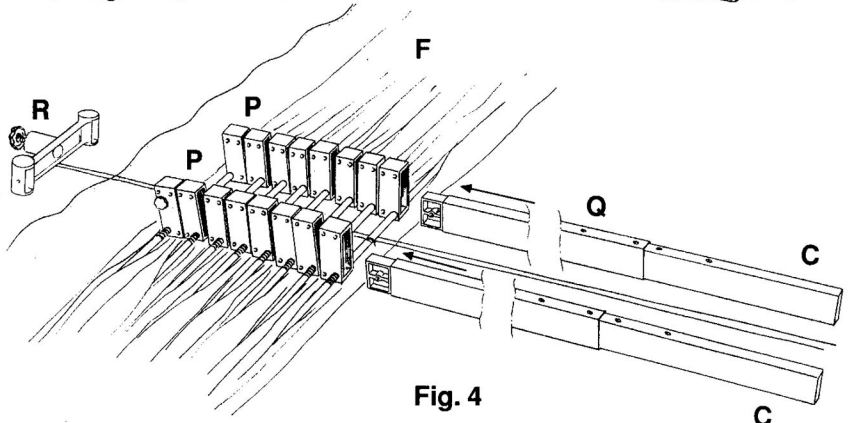


Fig. 4

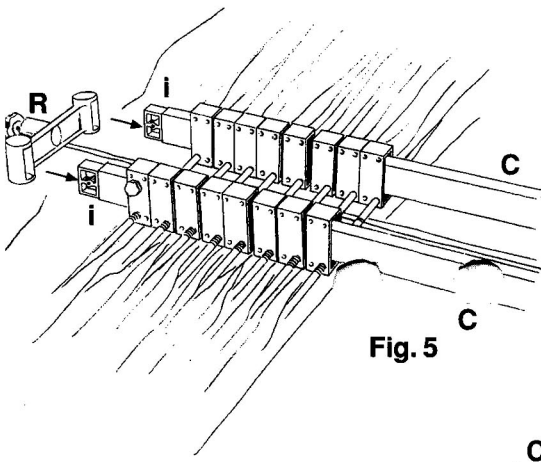


Fig. 5

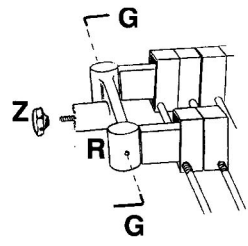


Fig. 5a

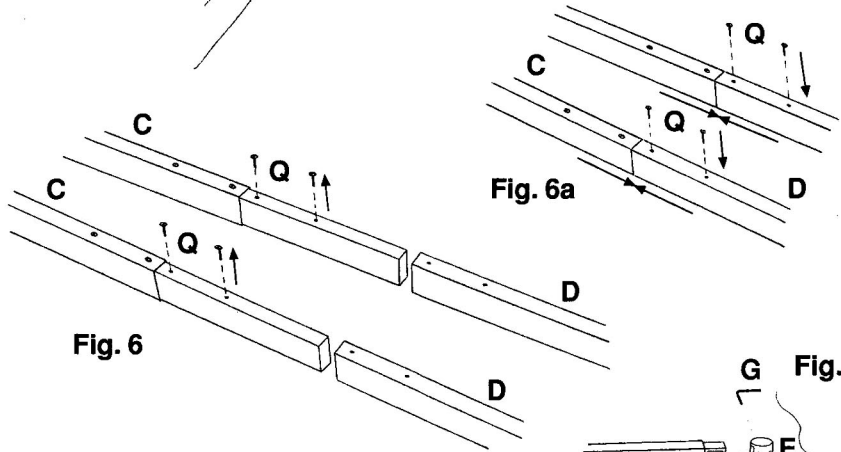


Fig. 6

Fig. 6a

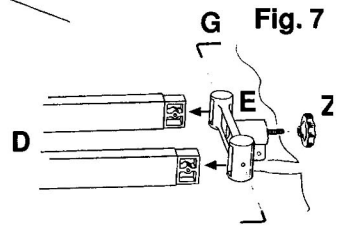


Fig. 7

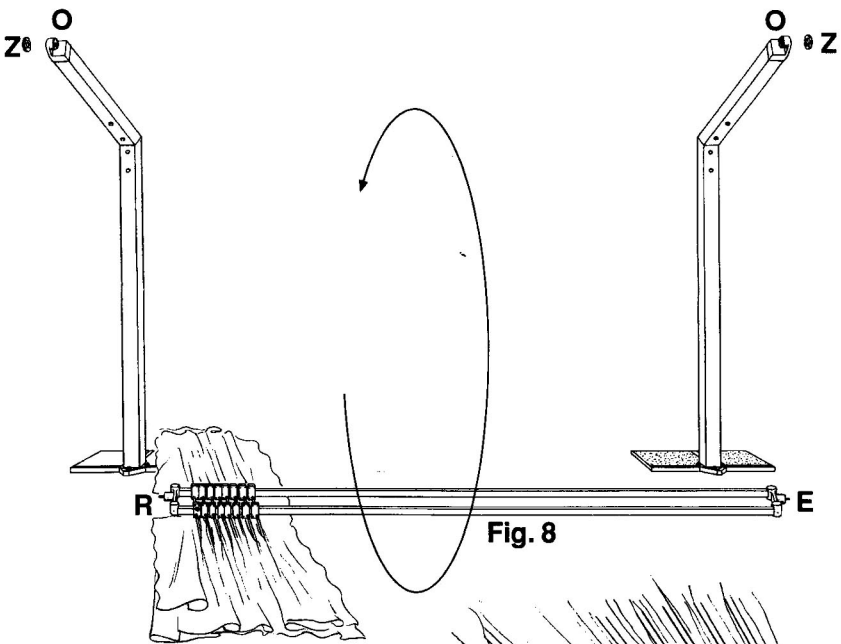


Fig. 8

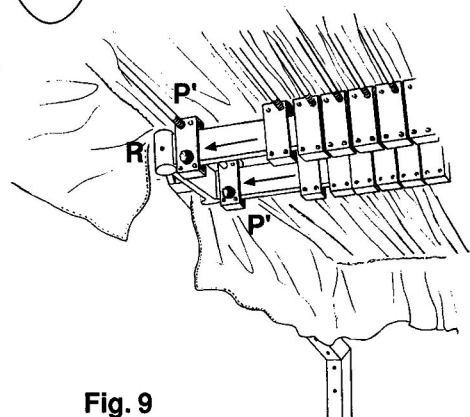


Fig. 9

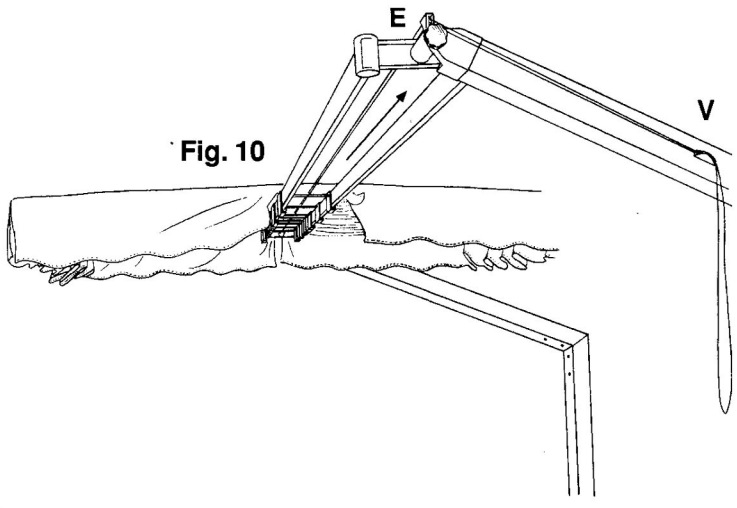


Fig. 10

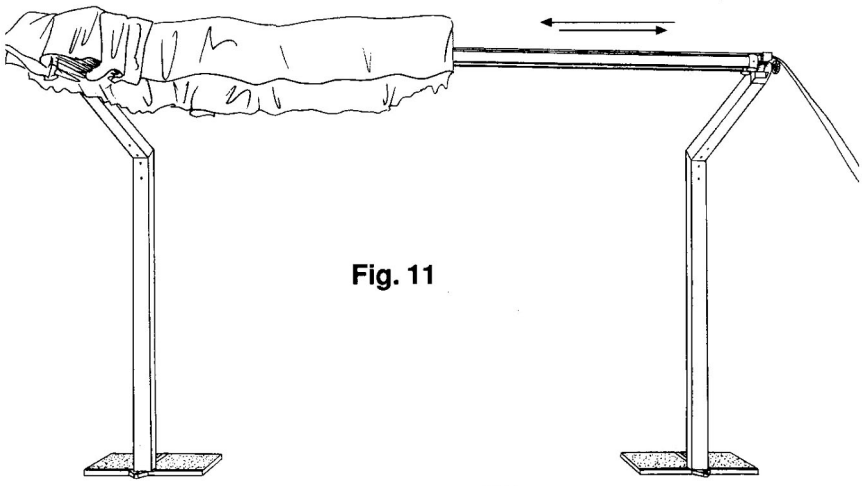


Fig. 11

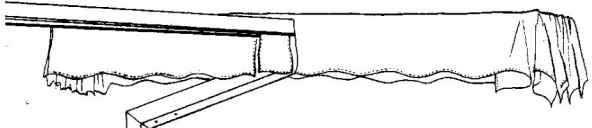
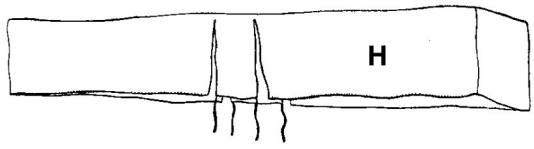


Fig. 12

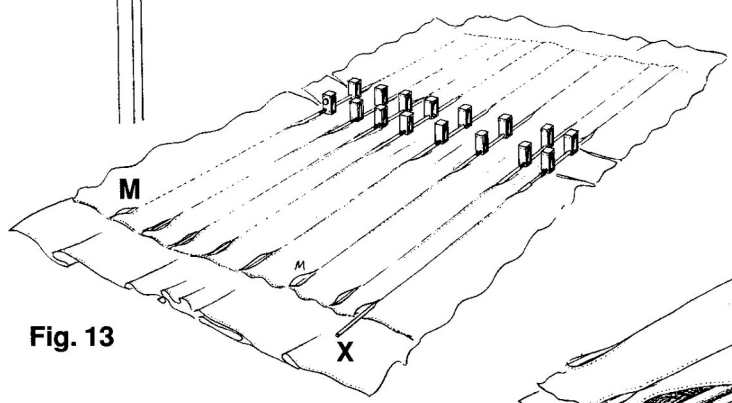


Fig. 13

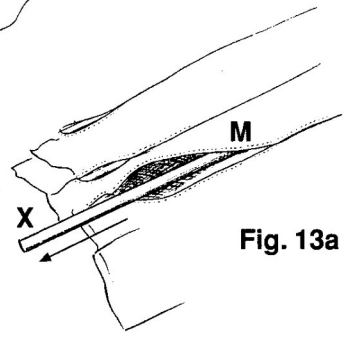


Fig. 13a

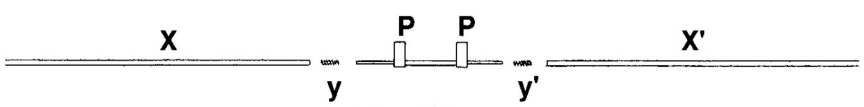
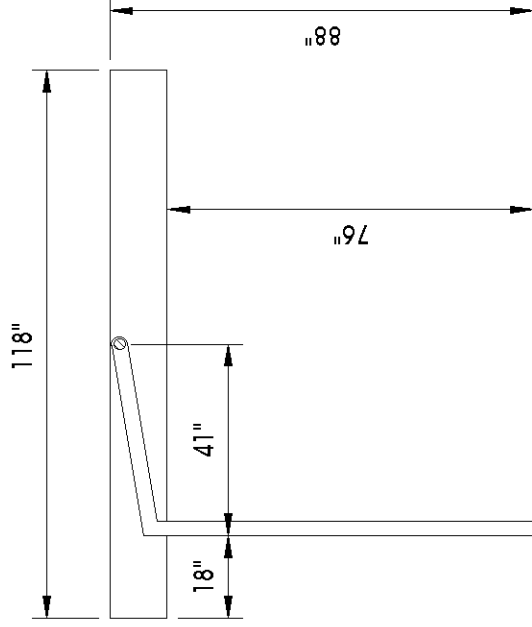
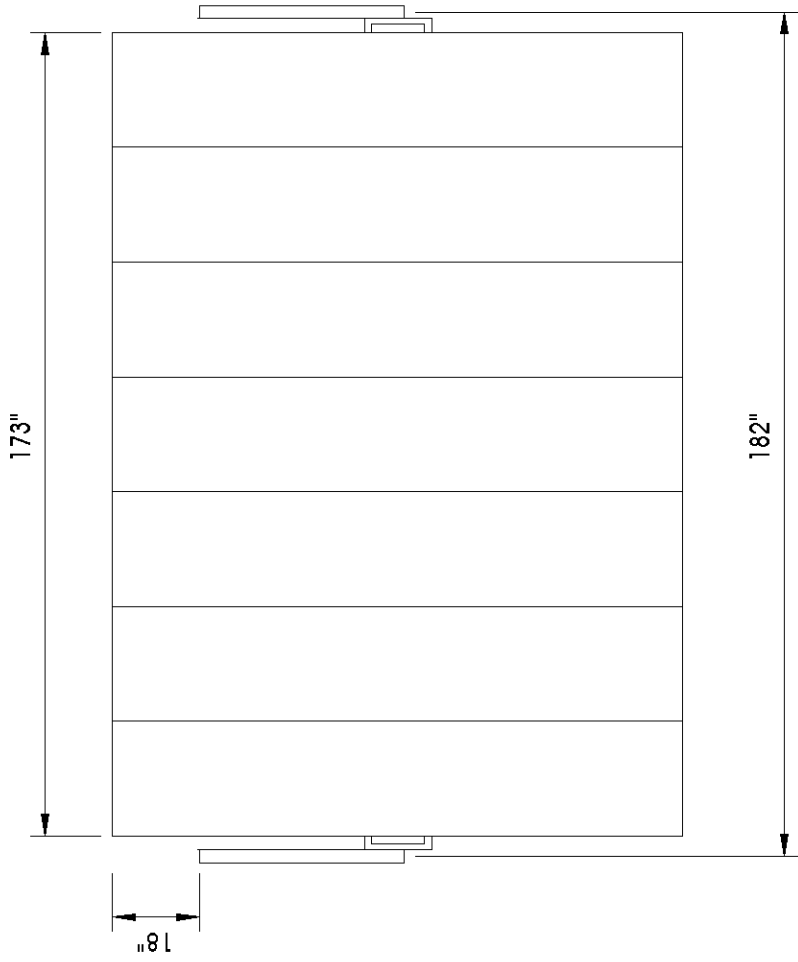


Fig. 13b

Umbrella Dimensions for Model  
T 16 California  
with Ground Insert Base Installation



All measurements are approximate