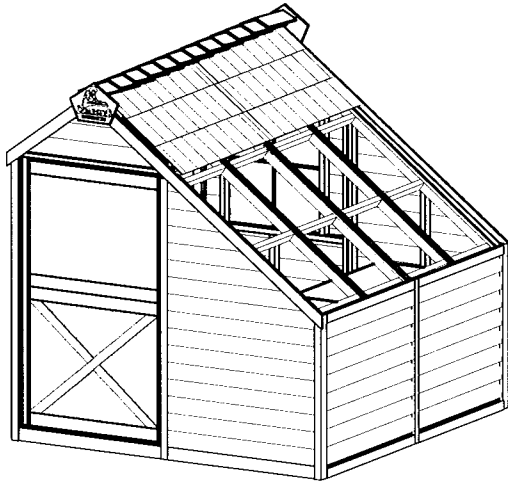
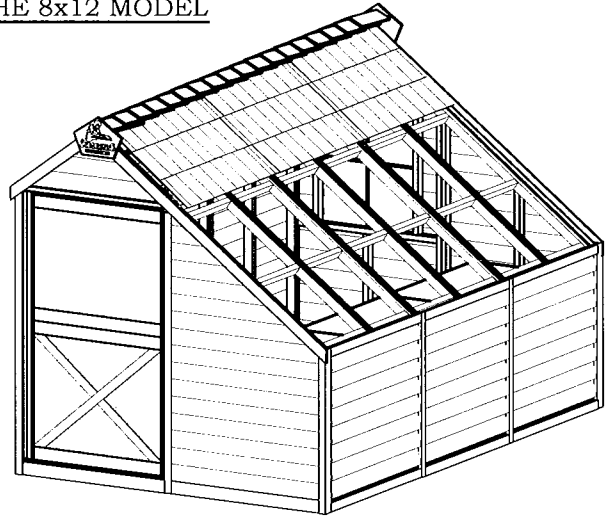


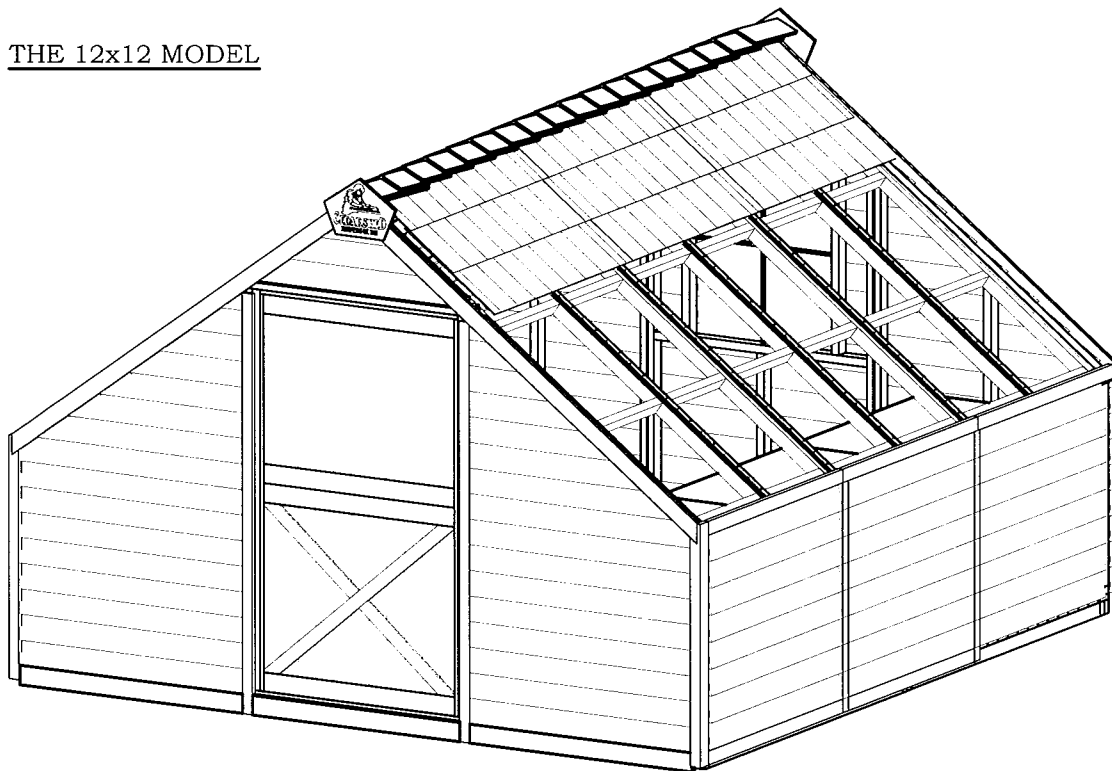
THE 8x8 MODEL



THE 8x12 MODEL



THE 12x12 MODEL



THE SUNHOUSE

INSTRUCTIONAL MANUAL

Cedarshed Industries (1992) Inc.
9770 - 199A Street
Langley, BC V1M 2X7
Canada

Revision C, 04.11.08



THE SUNHOUSE

ASSEMBLY INSTRUCTIONS

The Sunhouse comes in three different models: the 8x8, 8x12 and 12x12. The following are the main steps in the assembly sequence. It is extremely important to follow these steps in the sequence they are shown in this manual.

1. FLOOR ASSEMBLY
2. WALL PANELS ASSEMBLY
3. DOOR, TOP PLATE AND GABLE INSTALLATION
4. ROOF PANELS INSTALLATION
5. BENCH AND GUSSET INSTALLATION
6. TRIM BOARDS INSTALLATION
7. LEXAN GLASS INSTALLATION
8. RIDGE CAPS INSTALLATION
9. PROJECT COMPLETION

The assembly of your Sunhouse shed requires two people. The estimated total time for assembly is approximately 8 hours per person. A third person may be helpful, particularly when working on the roof structure. Prior to assembling the Sunhouse carefully read all instructions.

A FEW WORDS ABOUT THE CARE AND COSMETICS OF YOUR PANELIZED CEDAR SUNHOUSE BUILDING

Your Cedarshed Sunhouse building is made of Western Red Cedar, a beautiful and durable outdoor wood that will enhance your leisure space, enhance your property and provide years of enjoyable use.

Natural, unfinished Western Red Cedar, when exposed to the elements, will weather to a beautiful silvery gray. If you prefer to maintain the natural tones of Western Red Cedar, please ask your Authorized Cedarshed Dealer to recommend a quality stain.

You may also notice occasional coloured chalk or crayon markings on parts of the wood. These markings can be removed with damp cloth or very fine sandpaper.

When we package your Sunhouse building for shipping, it is wrapped in an environmentally-friendly paper product, and held in place by staples. Be sure that all of the staples are removed - a pair of pliers may be necessary to remove them.

Note:

The customer agrees to hold Cedarshed Industries (1992) Inc. and any of our Authorized Dealers free of liability due to improper installation, maintenance and repair of any Cedarshed products.

Obtaining necessary building permits is the sole responsibility of the purchaser.

Please see our website at www.cedarshed.com for additional safety points and other considerations to promote safe and enjoyable usage of your new Sunhouse for many years to come.

PARTS LIST:

To confirm you have received all parts, sort pieces according to usage. Call or e-mail us immediately if you are missing any parts and we will courier the missing part(s) immediately, free of charge.

Toll Free Customer Support Line: 1 800 830-8033.

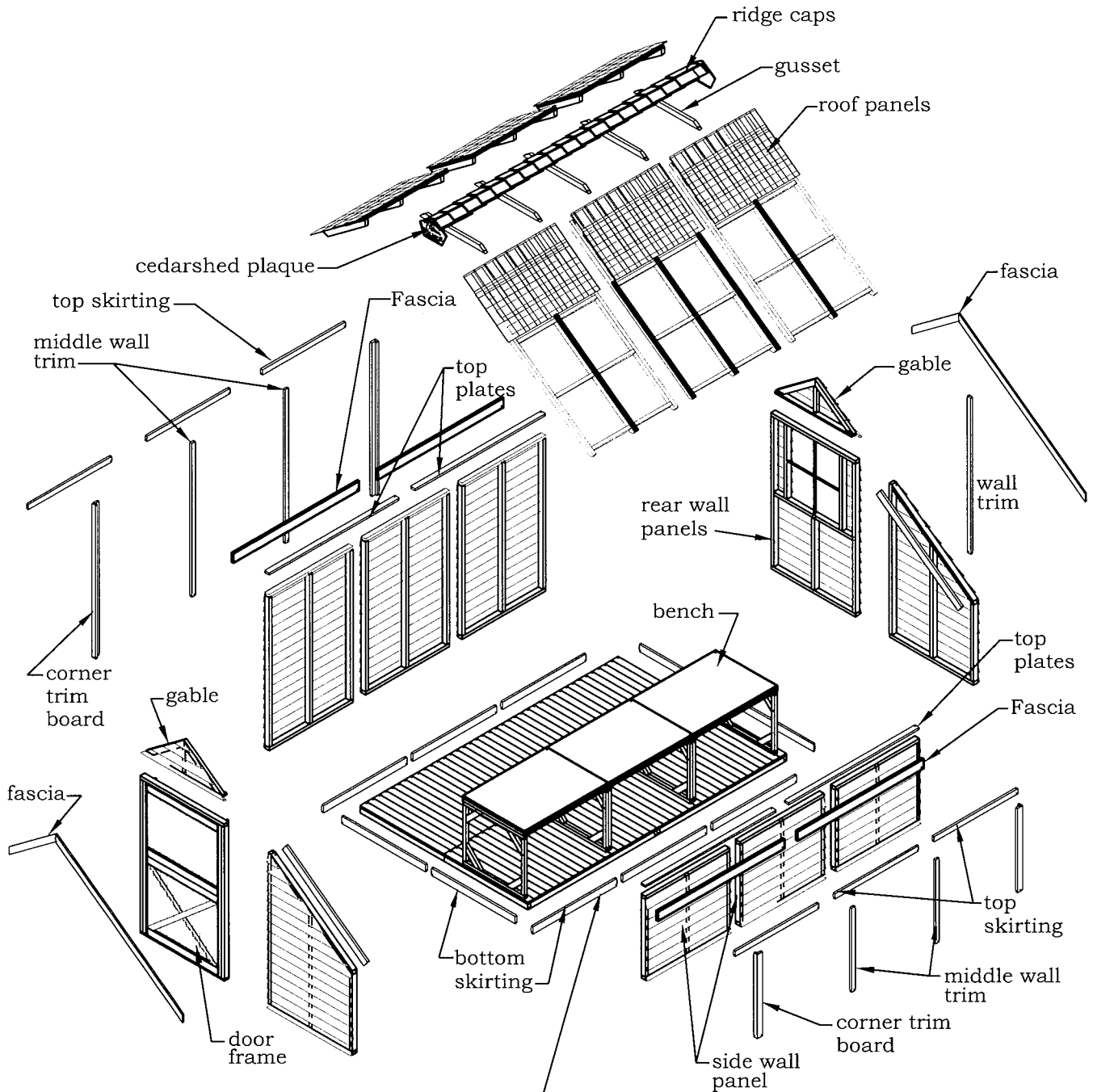
E-mail: Sales@cedarshed.com

If you plan on assembling a Cedarshed product over the course of several days, please cover any pieces to keep them sheltered from the elements.

Part Name:	Size:	Quantity		
		8x8	8x12	12x12
Floor Panel (a)	46 1/2" x 72 5/16"	2	4	6
Floor Panel (b)	46 1/2" x 25 13/16"	2	0	0
Rim Joists	(2 x 3) - 46 1/2"	4	4	6
High Side Wall Panel	46 1/2" x 73 1/4"	2	3	0
Low Side Wall Panel	46 1/2" x 38 3/4"	2	3	6
Front Wall & Door	46 1/2" x 74 7/8"	1	1	1
Back Window Wall	46 1/2" x 74 7/8"	1	1	1
Gable End	46 1/2" x 19"	2	2	2
Angle Wall	46 1/2" x 75 1/4"	2	2	4
Short Roof Panel	50 1/2" x 30"	2	2	0
Short Centre Roof Panel	46 1/2" x 30"	0	1	0
Large Roof Panel	50 1/2" x 88"	2	2	4
Large Centre Roof Panel	46 1/2" x 88"	0	1	2
Header	(2 x 3) - 46 1/2"	4	6	6
Top Plate (a)	(1 x 3) - 69 3/4"	2	4	4
Top Plate (b)	(1 x 3) - 23 1/4"	2	0	0
Side Fascia	(1 x 3) - 73"	0	4	4
Side Fascia	(1 x 3) - 49 3/4"	4	0	0
Long F/B Fascia	(1 x 4) - 92 1/4"	2	2	4
Short F/B Fascia	(1 x 4) - 36 1/2"	2	2	0
Corner Board (a)	(1 x 4) - 77 1/2"	2	2	0
Corner Board (b)	(1 x 4) - 42 3/8"	2	2	4
Corner Trim (a)	(1 x 1 1/2") - 77 1/2"	2	2	0
Corner Trim (b)	(1 x 1 1/2") - 42 3/8"	2	2	4
Side Trim (a)	(1 x 2) - 77 1/2"	1	2	0
Side Trim (b)	(1 x 2) - 42 3/8"	1	2	4
Back Angle Wall Trim	(1 x 2) - 79 1/2"	1	1	2
Bottom Skirting	(1/2" x 3") - 45"	8	10	12
Top Skirting (a)	(1/2" x 4 1/2") - 45"	1	1	1
Top Skirting (b)	(1/2" x 3") - 45"	4	6	6
Lexan Strip	(1/2" x 1 1/2") - 60"	5	7	14
Lexan Corner Strip	(1 x 2) - 60"	2	2	4
Gusset	(2 x 3) - 34 1/2"	3	5	5
Ridge Cap	-----	14	18	18
Plaque	-----	2	2	2
Metal Flashing	3 x 12	6	12	12
Lexan (a)	24 3/4" x 60"	2	2	4
Lexan (b)	23 1/4" x 60"	2	4	8
Foam Tape	-----	35 Ft.	50 Ft.	100 Ft.
Bench Top	-----	2	3	6
Legs	-----	4	6	12
Hasp	-----	1	1	1
Door Handle	-----	1	1	1
Barrel Bolt	-----	1	1	1
Neoprene Washers	-----	50	70	140
3" Screws	-----	Package		
2" Screws	-----	Package		
1 3/4" Finishing Nails	-----	Package		
2" Nails for Ridge Caps	-----	Package		
1 1/8" Nails for Felt Paper	-----	Package		
Roofing Felt	-----	Roll		

COMPONENTS ILLUSTRATION:

The 8x12 Model shown and 8x8 similar



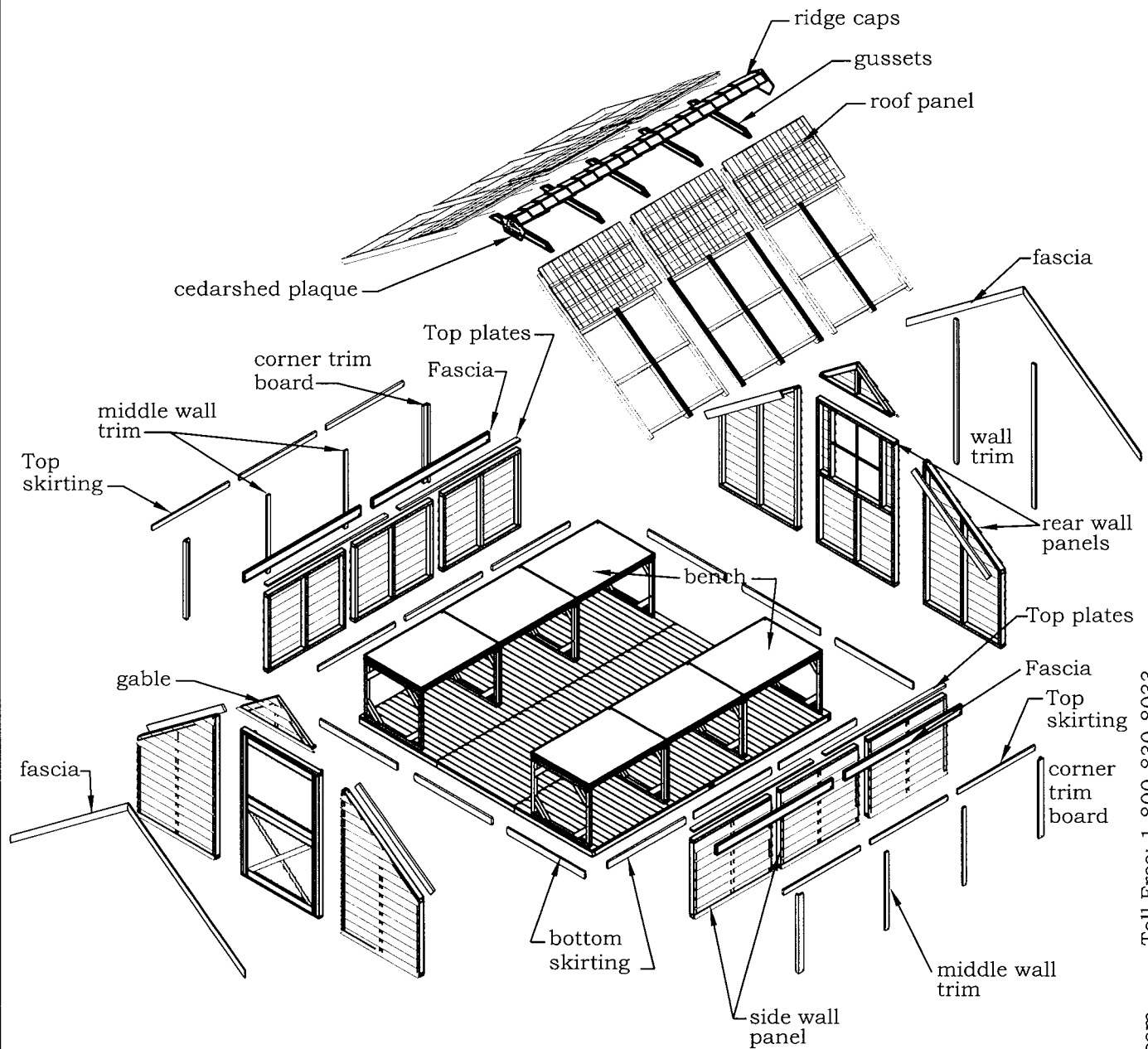
Not included in kit:
 - Patio slabs for a level and secure foundation
 - Deck stain
 - Foundation anchorage

For 8x8 there are 2 bottom skirting on each side.

Toll Free: 1-800-830-8033
 EMAIL: Sales@Cedarshed.com

COMPONENTS ILLUSTRATION:

The 12x12 Model



Not included in kit:

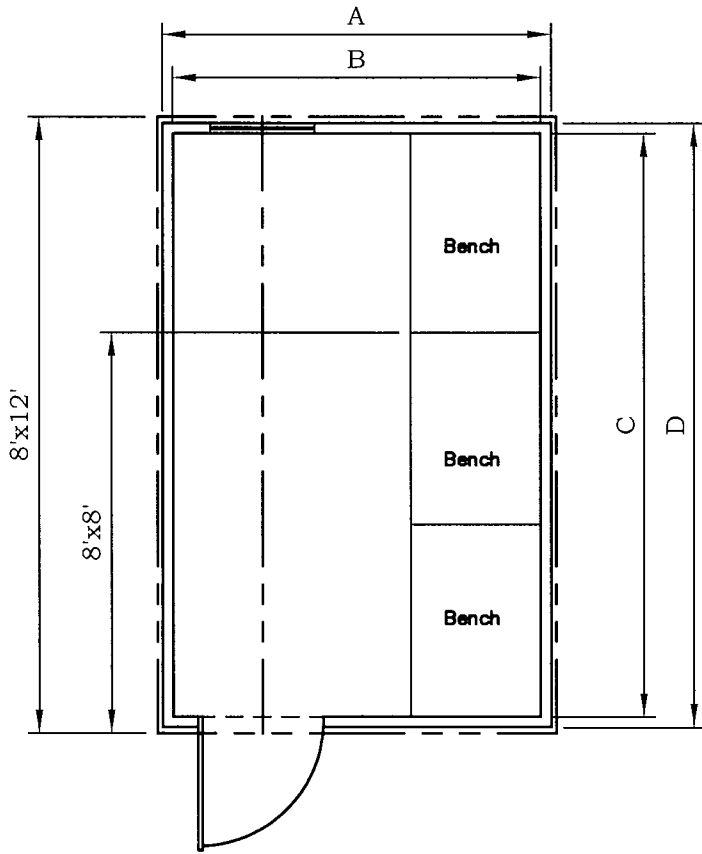
- Patio slabs for a level and secure foundation
- Deck stain
- Foundation anchorage

Toll Free: 1-800-830-8033

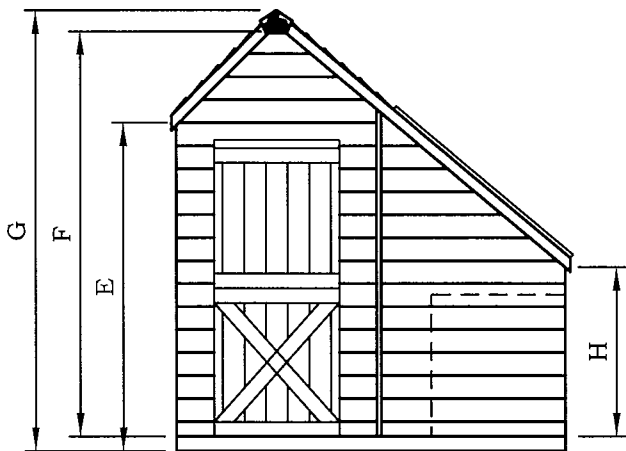
EMAIL: Sales@Cedarshed.com

SUNHOUSE SPECIFICATION

All framing components are nominal 2"x3" in size.
 2"x3" Floor joists on 16" centers.
 Wood siding is 1/2"x6" Bevel Siding.
 Western Red Cedar Shingle Roof.
 Lexan (polycarbonate) long roof section.



FLOOR PLAN VIEW



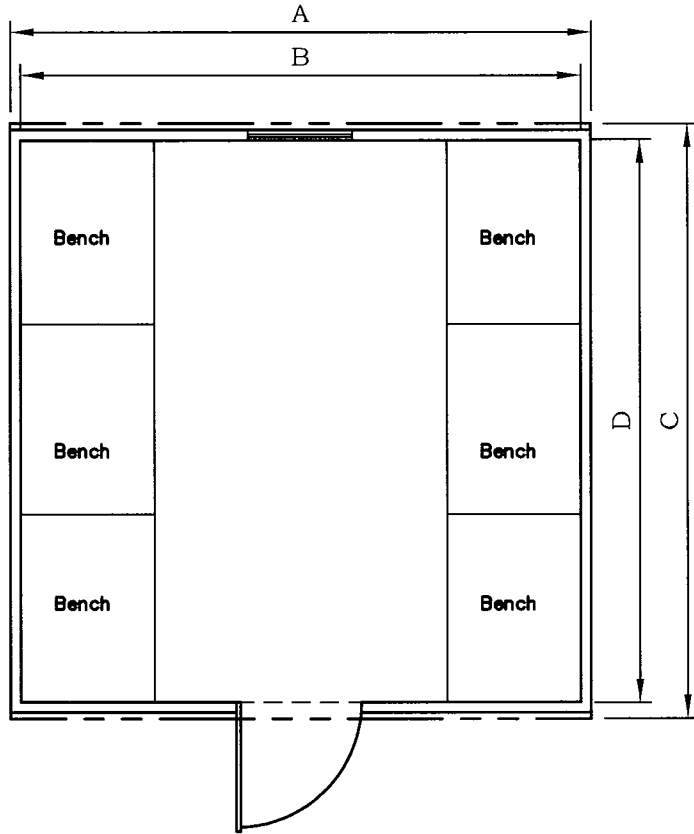
FRONT ELEVATION

Measurements For Sunhouse	
Dimensions (Imperial)	
Size	8' x 8'
Area	64 Sq. Ft.
A	7'-11 1/2"
B	7'-9"
C	7'-9"
D	8'-0"
E	6'-6"
F	7'-8"
G	8'-6"
H	3'-9"
Bench	2'-8"x3'-10"x2'-10"
Door	2'-7"x6'-1"
Window Opening	2'-0"Wx2'-4"H
Weight	1020 lbs
Package Size	48"Wx94"Lx43"H

Measurements For Sunhouse	
Dimensions (Imperial)	
Size	8' x 12'
Area	96 Sq. Ft.
A	7'-11 1/2"
B	7'-9"
C	11'-7 1/2"
D	11'-10 1/2"
E	6'-6"
F	7'-8"
G	8'-6"
H	3'-9"
Bench	2'-8"x3'-9"x2'-10"
Door	2'-10"x5'-9"
Window Opening	2'-0"Wx2'-4"H
Weight	1400 lbs
Package Size	48"Wx94"Lx56"H

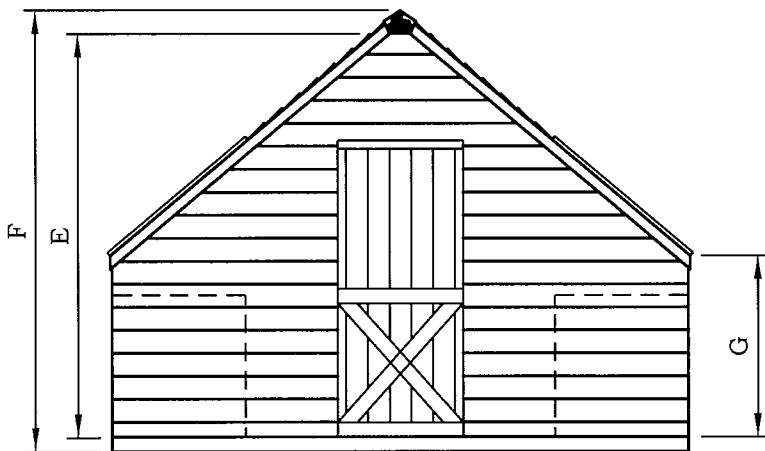
SUNHOUSE SPECIFICATION

All framing components are nominal 2"x3" in size.
 2"x3" Floor joists on 16" centers.
 Wood siding is 1/2"x6" Bevel Siding.
 Western Red Cedar Shingle Roof.
 Lexan (polycarbonate) long roof section.



FLOOR PLAN VIEW

Measurements For Sunhouse	
Dimensions (Feet & Inches)	
Size	12' x 12'
Inside Area	144 Sq. Ft.
A	11'-7"
B	11'-4 1/2"
C	11'-10"
D	11'-7 1/2"
E	7'-8"
F	8'-6"
G	3'-8"
Bench	2'-8"x3'-9"x2'-10"
Door	2'-10"x5'-9"
Window Opening	2'-0"Wx2'-4"H
Weight	1800 lbs
Package Size	48"Wx94"Lx76"H



FRONT ELEVATION

PRE-ASSEMBLED COMPONENTS

- The Sunhouse building has been shipped from the factory in pre-assembled panels to assist with the ease of construction.

TOOLS REQUIRED

6' step ladder
Hammer
Electric power drill(s) or cordless drill(s)
[with extra batteries] with appropriate
screw bits
3' Carpenter's level
Measuring tape
 $\frac{1}{8}$ " drill bit
Garden shovel (for site work)
Hand Saw

Note:

Assembly of the Sunhouse will require the use of power tools and certain applications will require a ladder. Please take safety precautions at all times.

1. FLOOR ASSEMBLY FOR 8x8

- The main floor comes in 4 pre-assembled sections:
- Unpack the floor sections and place them on level ground with decking facing down as shown in Figure F1. Push the floor panels together.
- Using 3" long screws, fasten the floor sections together along the length of each section as shown in Figure F2. You need to flip the entire floor assembly over so the decking is facing up again after placing all screws.

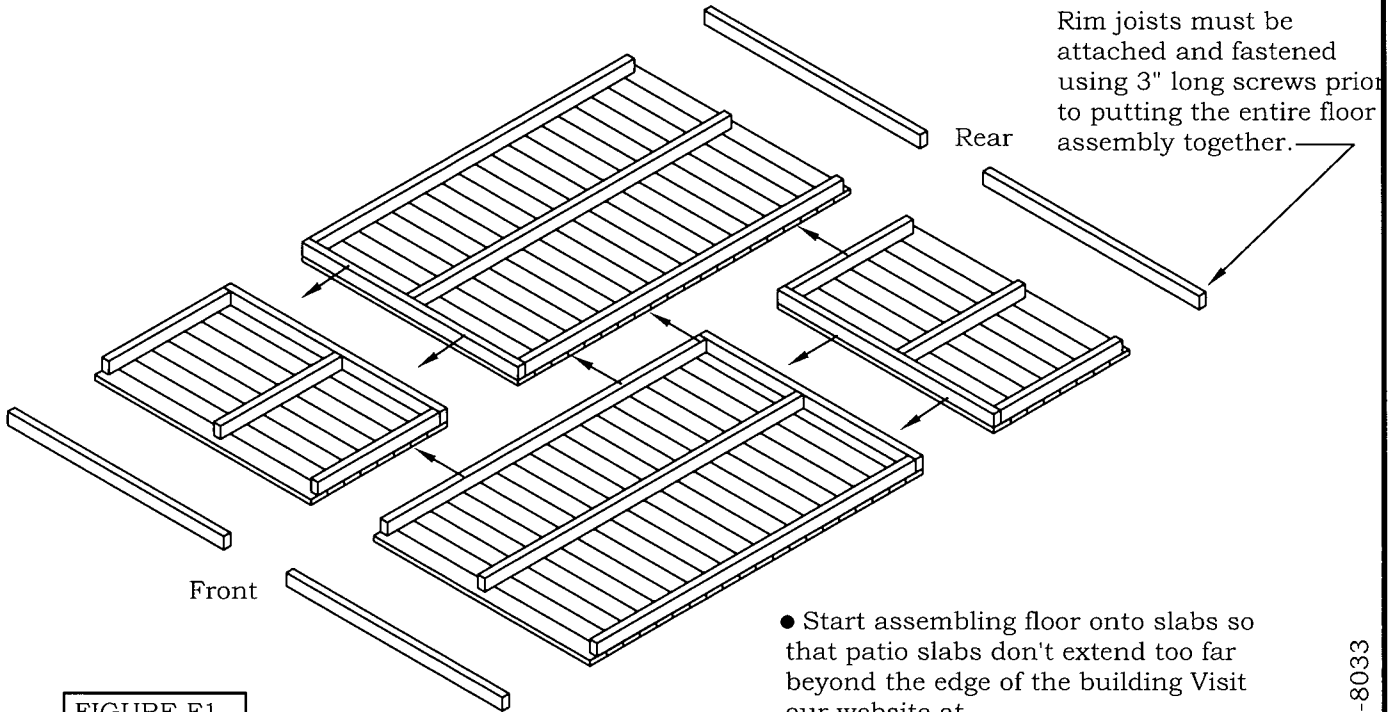


FIGURE F1

- Start assembling floor onto slabs so that patio slabs don't extend too far beyond the edge of the building. Visit our website at WWW.CEDARSHED.COM for details on the type of foundation you may wish to use.

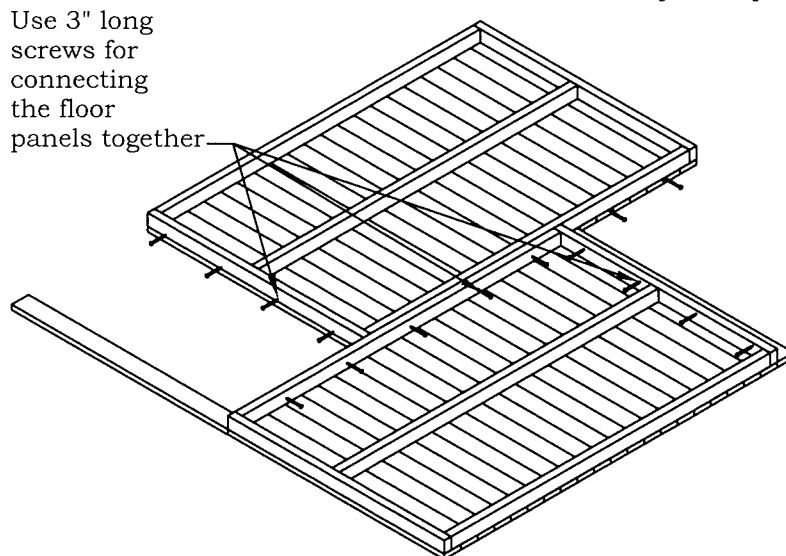


FIGURE F2

● It is recommended the construction of the building be done on leveled foundation and in its final sitting location. It is extremely important to level the floor assembly. You will encounter difficulties later when trying to install the wall panels and roof system if the floor is not properly leveled.

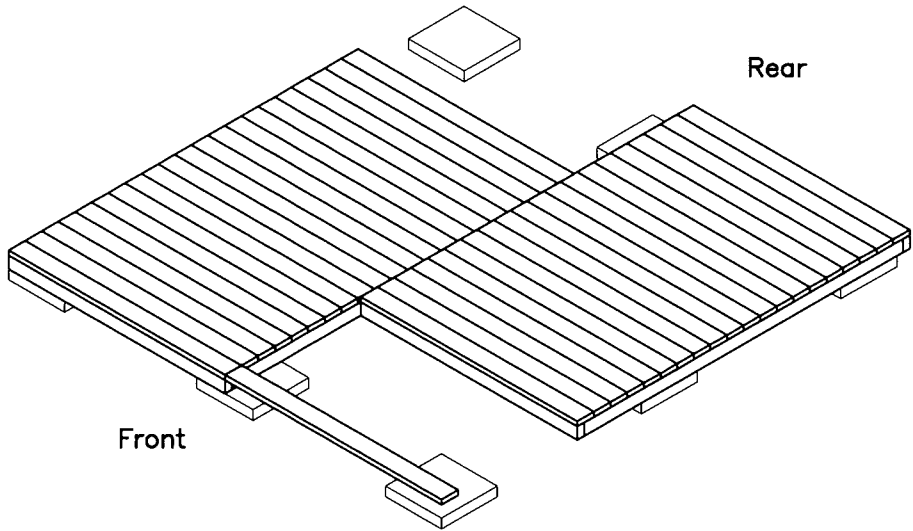


FIGURE F3

FLOOR ASSEMBLY FOR 8x12

- The main floor comes in 4 pre-assembled sections.
- Unpack the floor sections and place them on level ground with decking facing down as shown in Figure F1.
- Push the floor panels together as shown in Figure F4.
- Using 3" long screws, fasten the floor sections together from the bottom and then flip them over so the decking is facing up again as shown in Figure F5.

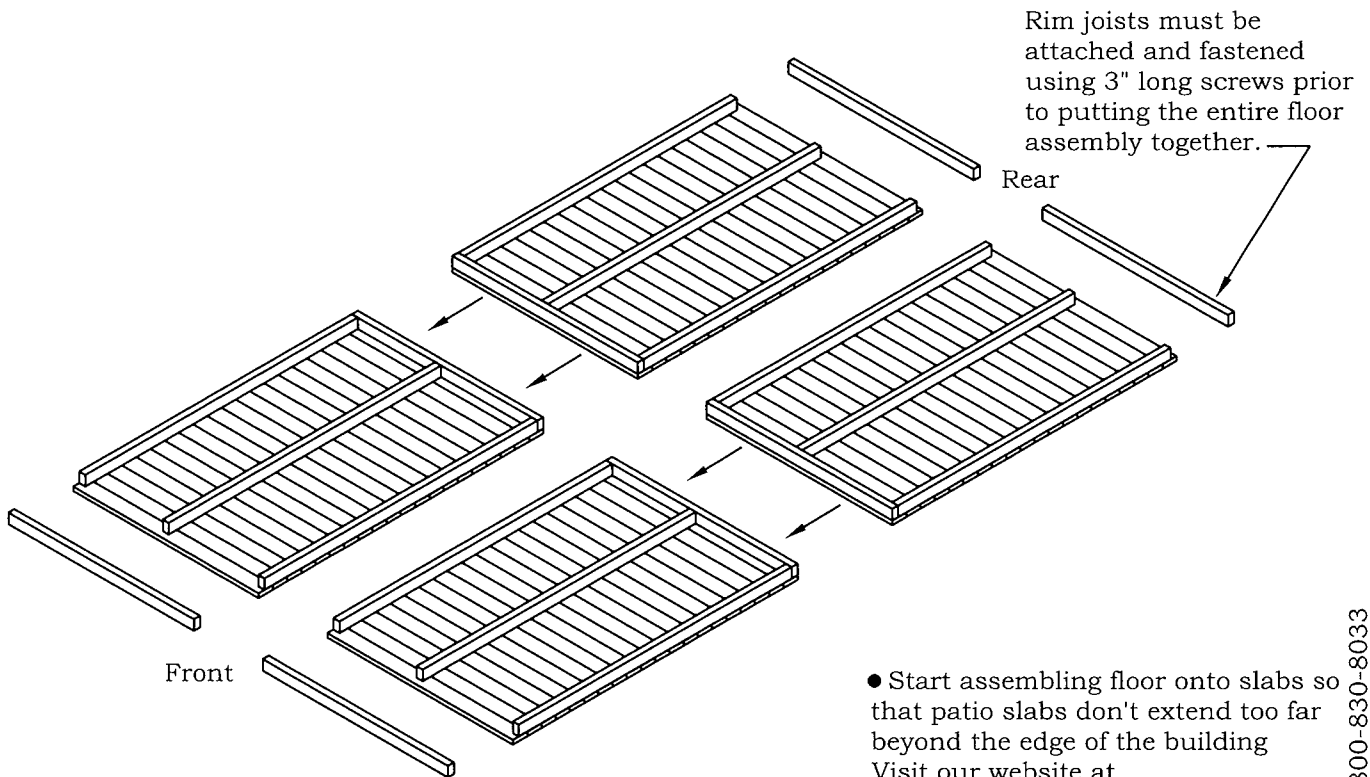


FIGURE F4

- Start assembling floor onto slabs so that patio slabs don't extend too far beyond the edge of the building. Visit our website at WWW.CEDARSHED.COM for details on the type of foundation you may wish to use.

Use 3" long screws for connecting the floor panels together

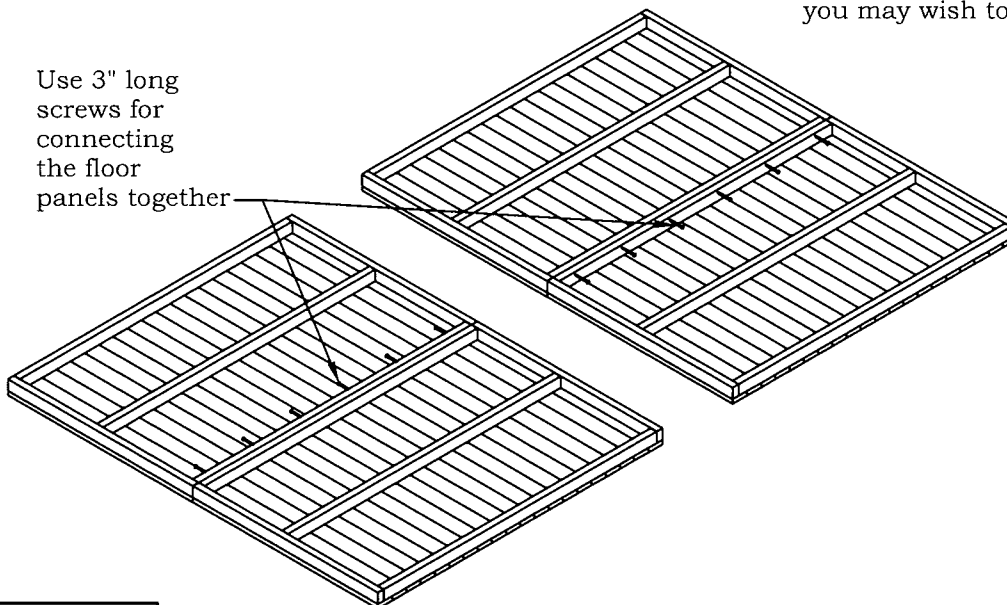


FIGURE F5

- It is recommended the construction of the building be done on leveled foundation and in its final sitting location. It is extremely important to level the floor assembly. You will encounter difficulties later when trying to install the wall panels and roof system if the floor is not properly leveled.

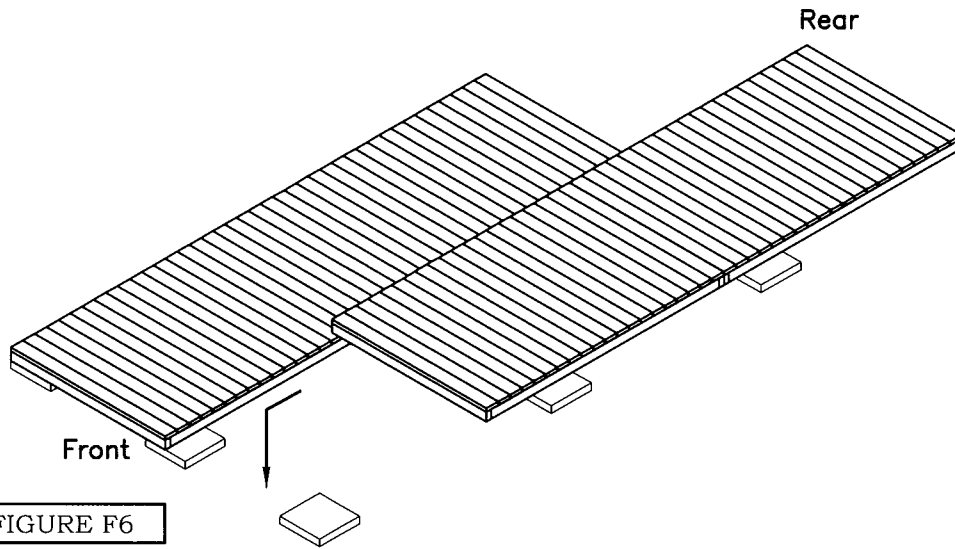


FIGURE F6

- Two of the four floor panels come with $1\frac{1}{2}$ " screws on the edge two floor boards. Remove the edge floor boards so you can secure the floor panels together. Place floor panels butt up against each other on the leveled foundation. Use 4-6 3" long screws per side as shown in Figure F6. See Detail 2. Re-attach the floor boards after securing the floor panels together using the same $1\frac{1}{2}$ " screws.

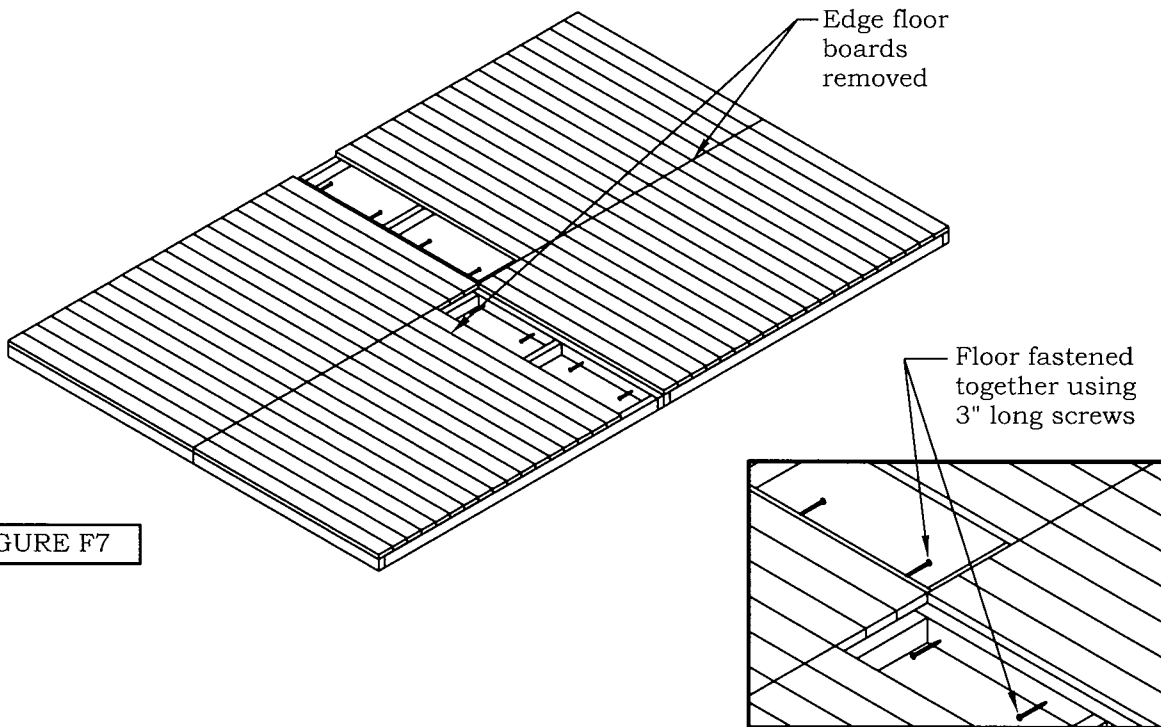


FIGURE F7

Detail 2

FLOOR ASSEMBLY FOR 12x12

- The main floor comes in 6 pre-assembled sections.
- Unpack the floor sections and place them on level ground with decking facing down as shown in Figure F8. Push the floor panels together as shown in Figure F8.
- Using 3" long screws, fasten the floor sections together from the bottom and then flip them over so the decking is facing up again as shown in Figure F9.

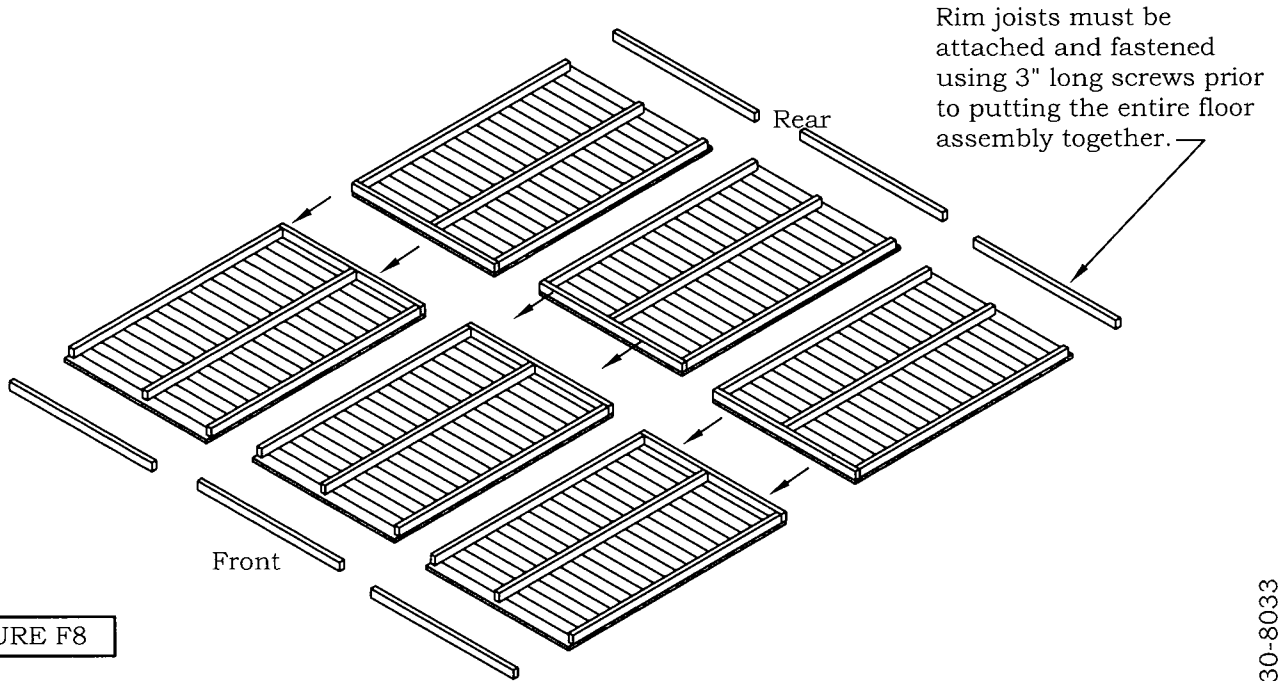


FIGURE F8

Use 3" long screws for connecting the floor panels together

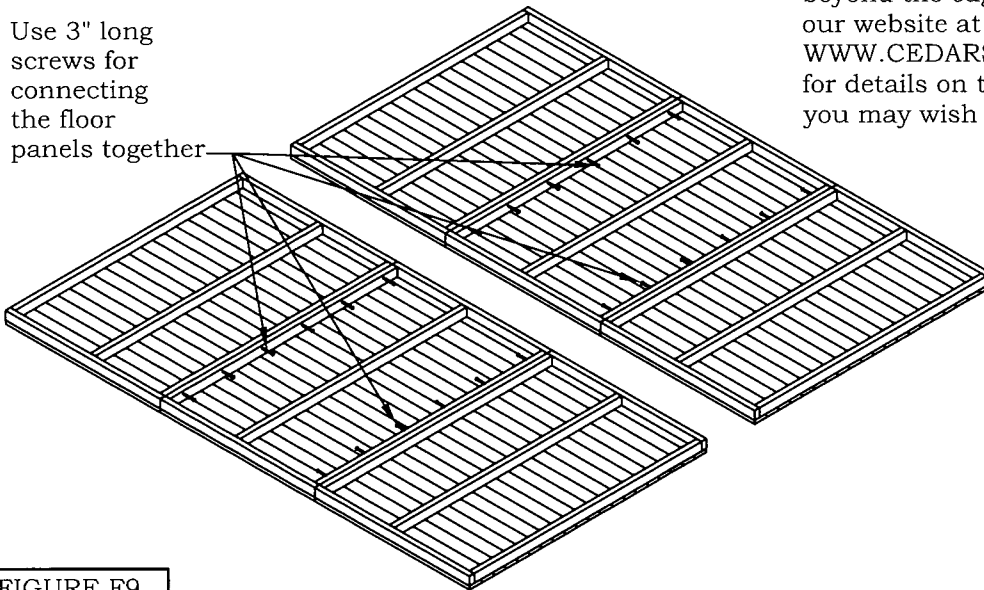


FIGURE F9

- Start assembling floor onto slabs so that patio slabs don't extend too far beyond the edge of the building. Visit our website at WWW.CEDARSHED.COM for details on the type of foundation you may wish to use.

- It is recommended the construction of the building be done on leveled foundation and in its final sitting location. It is extremely important to level the floor assembly. You will encounter difficulties later when trying to install the wall panels and roof system if the floor is not properly leveled.

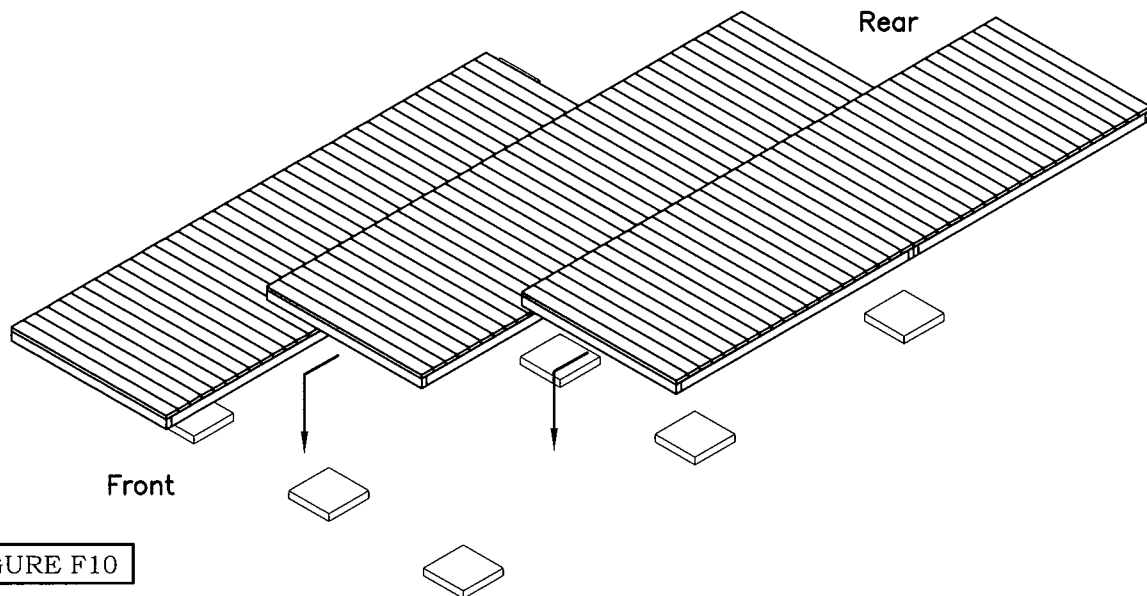


FIGURE F10

- Three of the six floor panels come with 1½" screws on the edge floor boards on one side. Remove the edge floor boards so you can secure the floor panels together. Place floor panels butt up against each other on the leveled foundation. Use 4-6 3" long screws per side as shown in Figure F11. See Detail 3. Re-attach the floor boards after securing the floor panels together using the same 1½" screws.

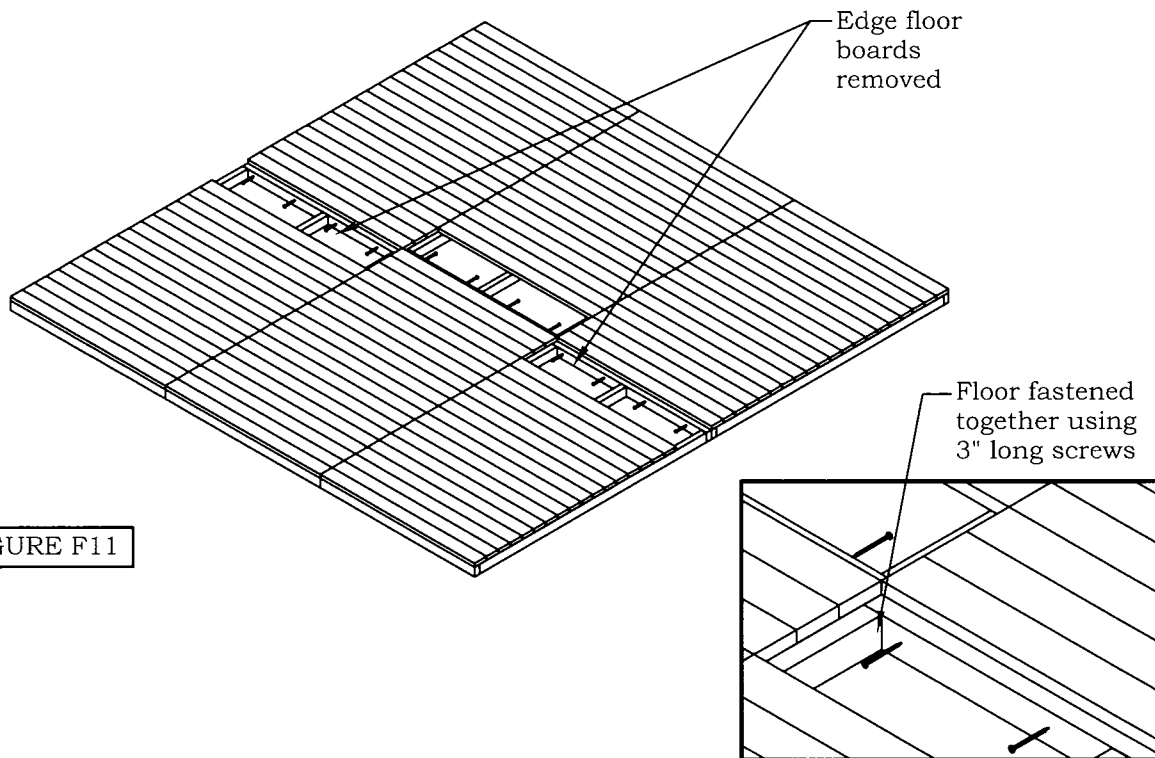


FIGURE F11

Detail 3

2. WALL PANEL ASSEMBLY

● Lay all wall panels flat on ground around the assembled floor similar to shown in Figure W1. Install the header by using 3-3" long screws on top of each side wall panel. Insert one screw into each wall stud as shown in Detail 1. The side wall assembly panels come in six panel units for the 8x12 and 12x12 models. Three tall and three short for 8x12 and 6 short wall panels for 12x12 model. For the 8x8 model there are four side wall panels two tall and two short. The angle walls are for the front and rear wall assembly. There is one window wall panel for the rear and a door & frame for the front.

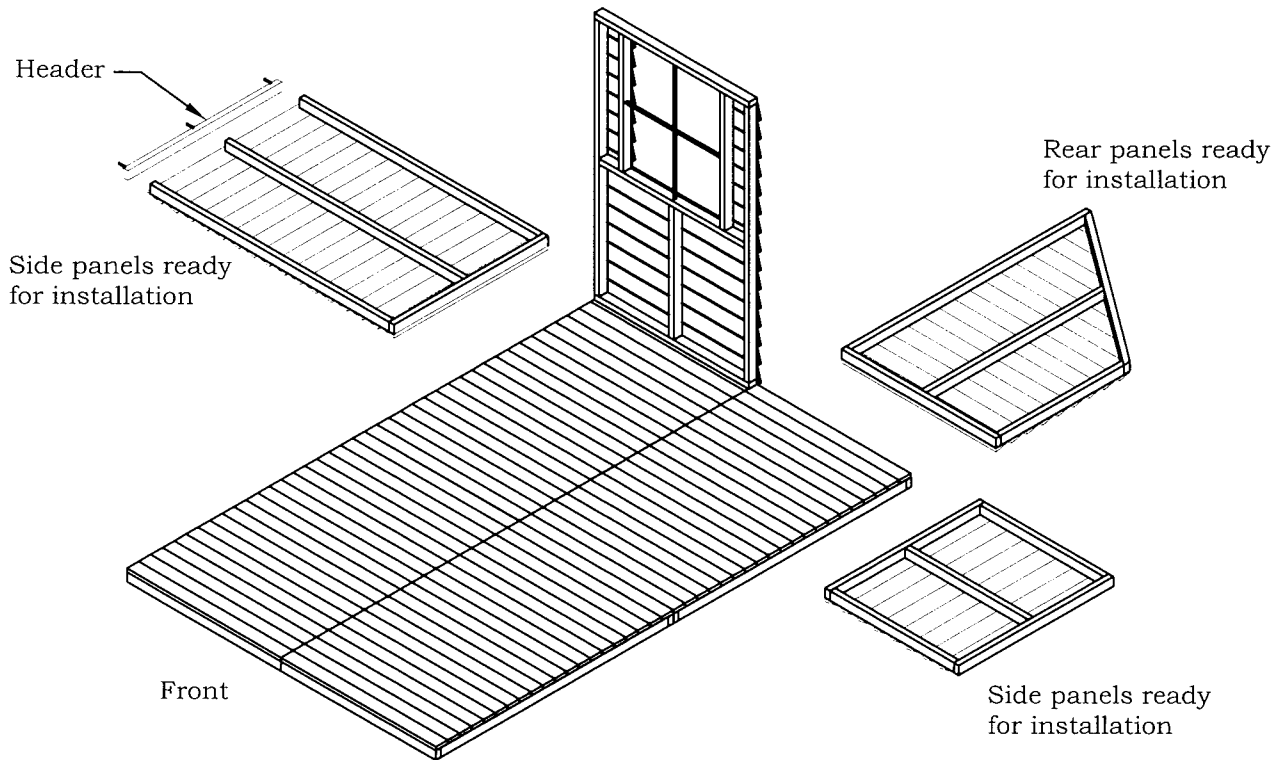
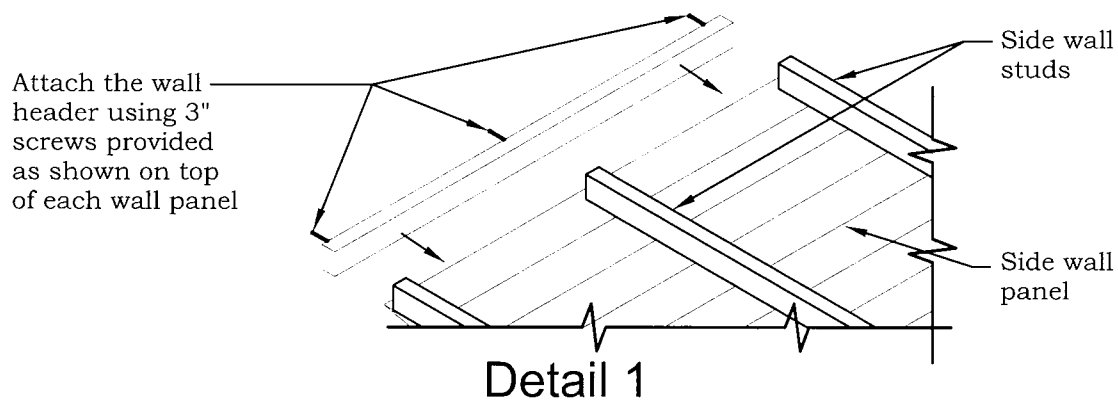


FIGURE W1



● Install the rear wall panels as shown in Figure W2; one panel at a time. Vertically stand the panel on the assembled floor and fasten it to the floor assembly by using 3" long screws. You need to stand the next rear wall panel beside the first one and fasten the two panels together (see Detail 3 & 4) and connect both wall panels to the floor assembly using 3" long screws as shown in Detail 2. The rear panel 2x3 should be flush with the edge of the floor.

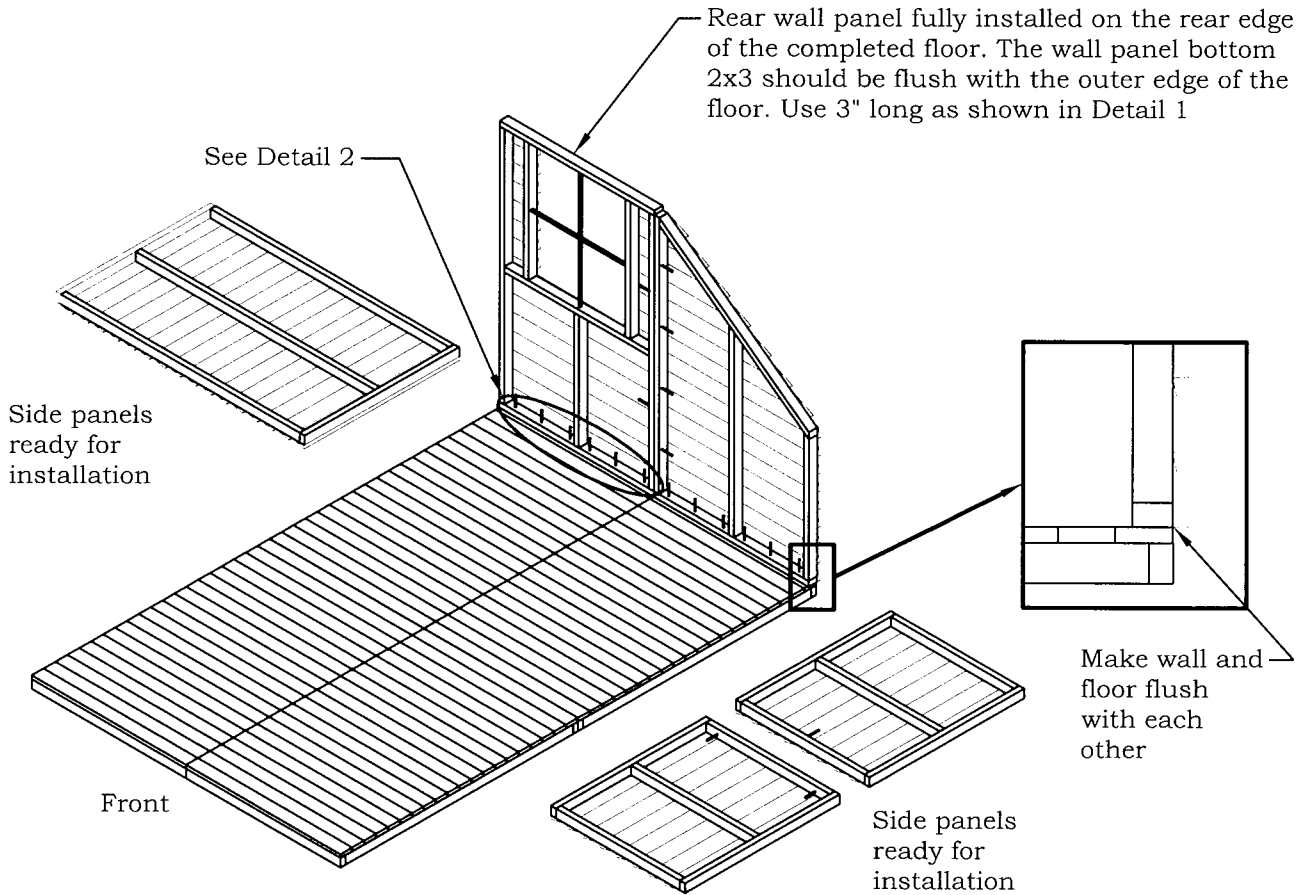
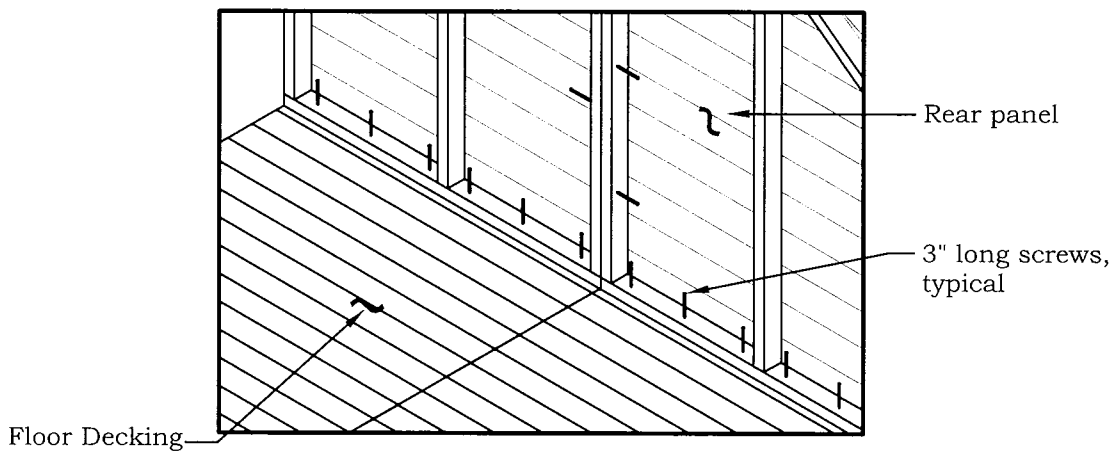


FIGURE W2



Detail 2

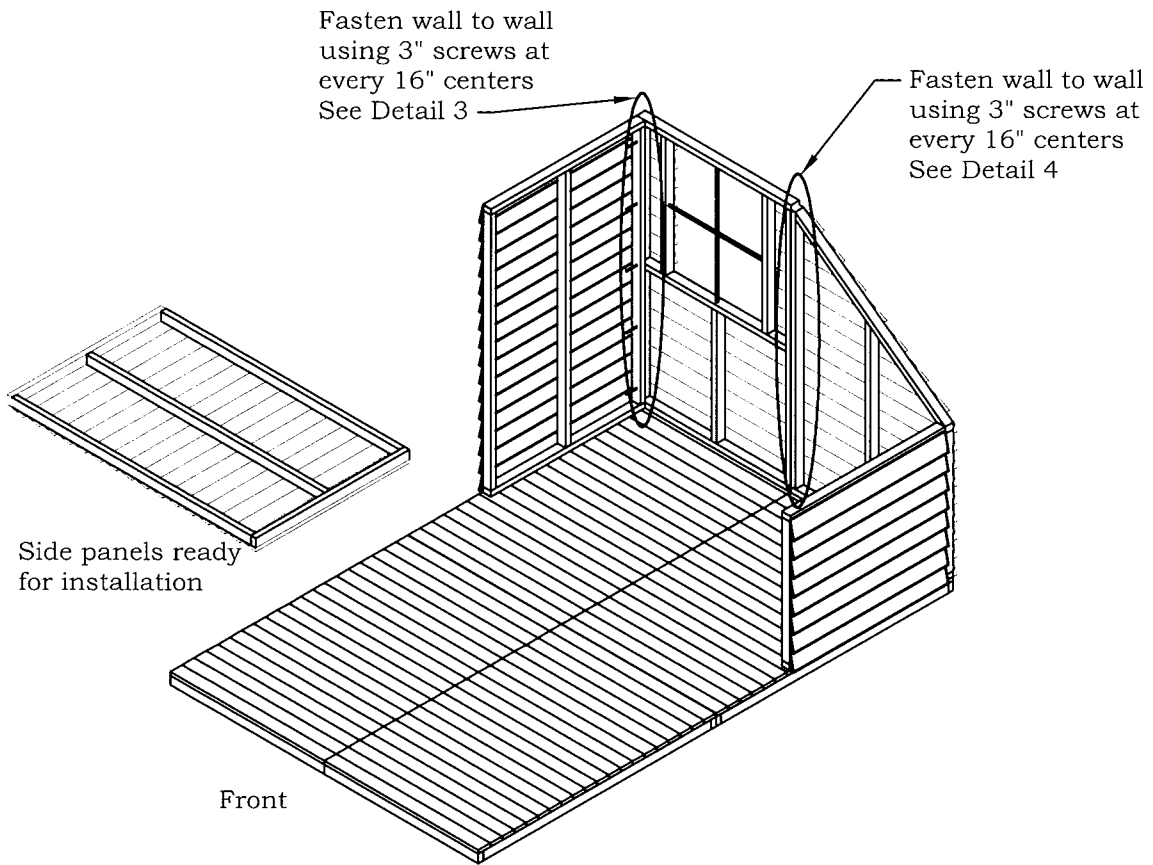
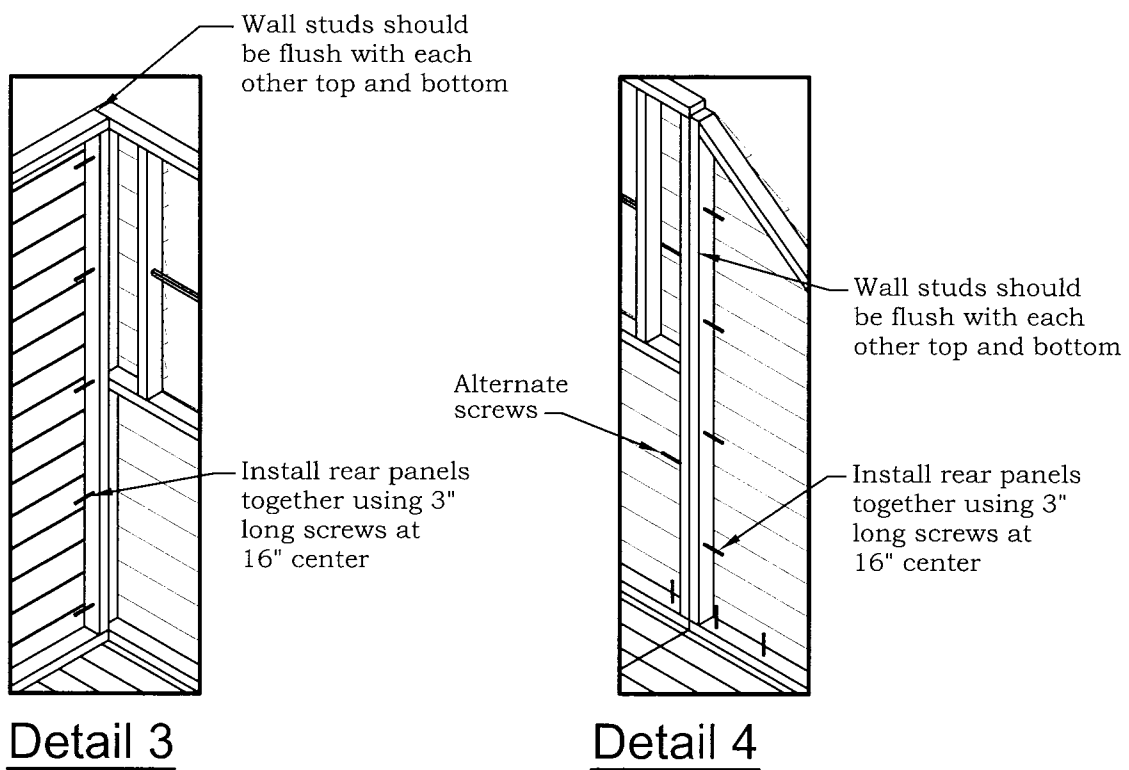


FIGURE W3



- Continue installing the rest of side wall panels. Secure the side wall panels using 3" long screws along the vertical wall studs and in the base plate into the floor as shown in details previously.

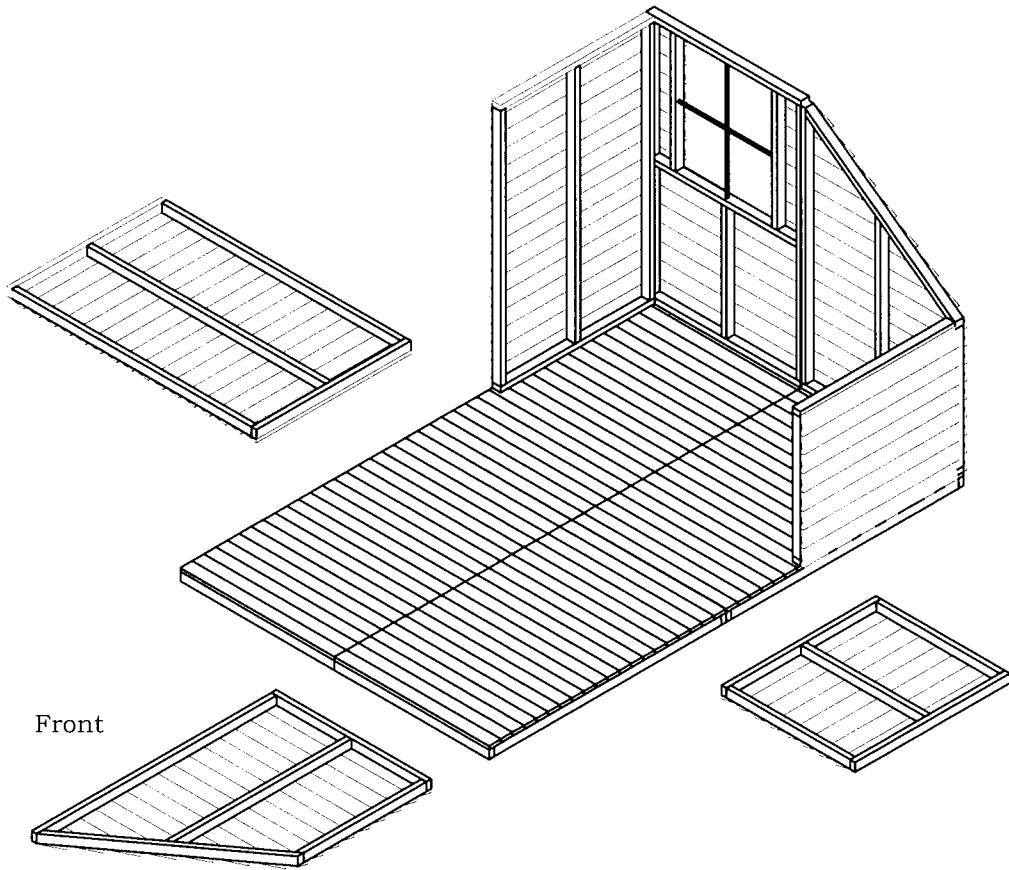


FIGURE W4

- The isometric view below shows the configuration of the rear and side wall panels for 12x12 model. The installation and assembly of the wall panels is done using the same method as the other models shown on previous pages.

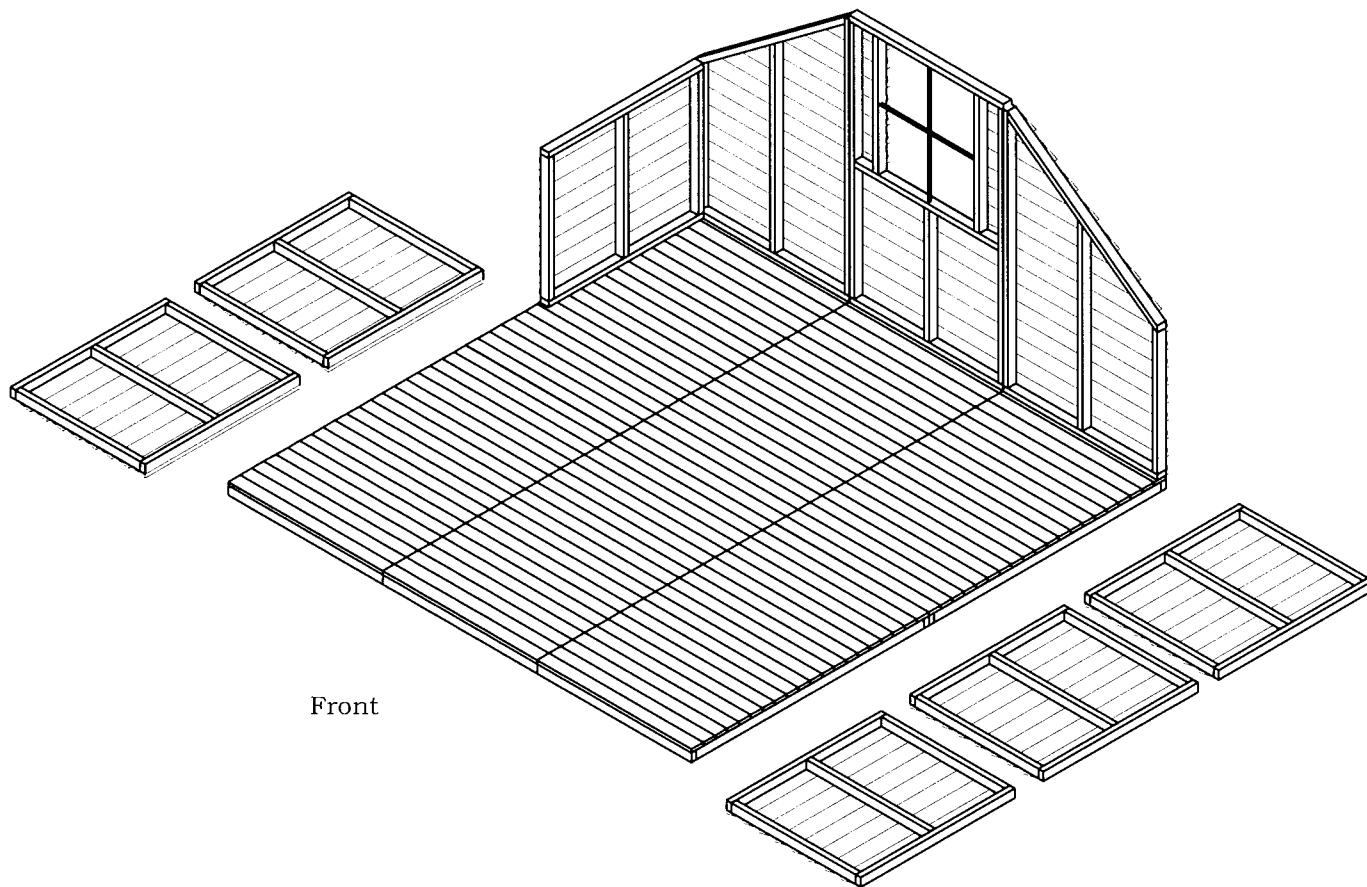


FIGURE W5

- Continue installing the rest of side wall panels. Secure the side wall panels using 3" long screws along the vertical wall studs and in the base plate into the floor as shown in details previously.

3. DOOR, TOP PLATE AND GABLE INSTALLATION

- Install the door frame once all the wall panels have been erected and installed. Secure the door frame using 3" long screws at every 12" centers along the vertical side panels on both sides of the door frame. Figure D1 shows the door and frame assembly illustrations for the 8x8 and 8x12 Sunhouse models.

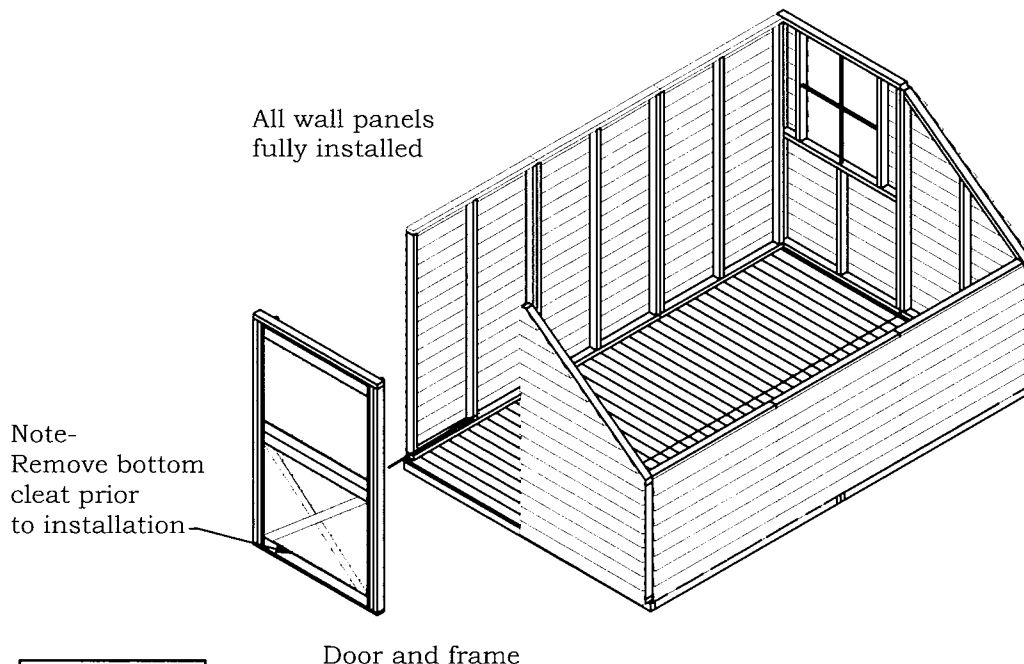


FIGURE D1

- Figure D2 shows an illustration of door and frame assembly on the 12x12 Sunhouse model.

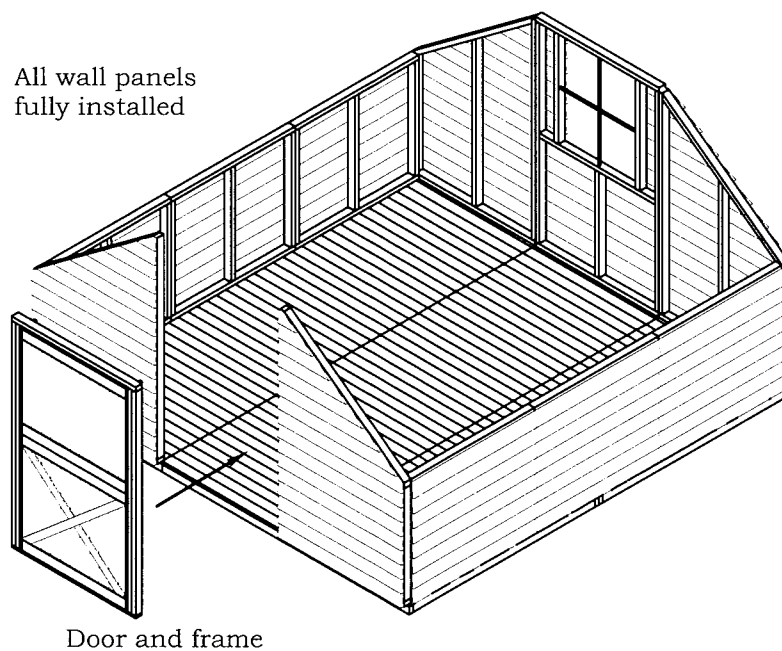


FIGURE D2

- Attach the top plates after you have installed the door frame. Secure the top plates by using 2" screws at every 12" centers. Make top plate flush with top wall headers.
- Hoist the gable panels over the rear and front walls as shown in Figure D3. Place each gable on top of the walls and adjust until the notched end of gable locks up with the top plate. Using 2" long screws to fasten the gable panel as shown in Detail 1.

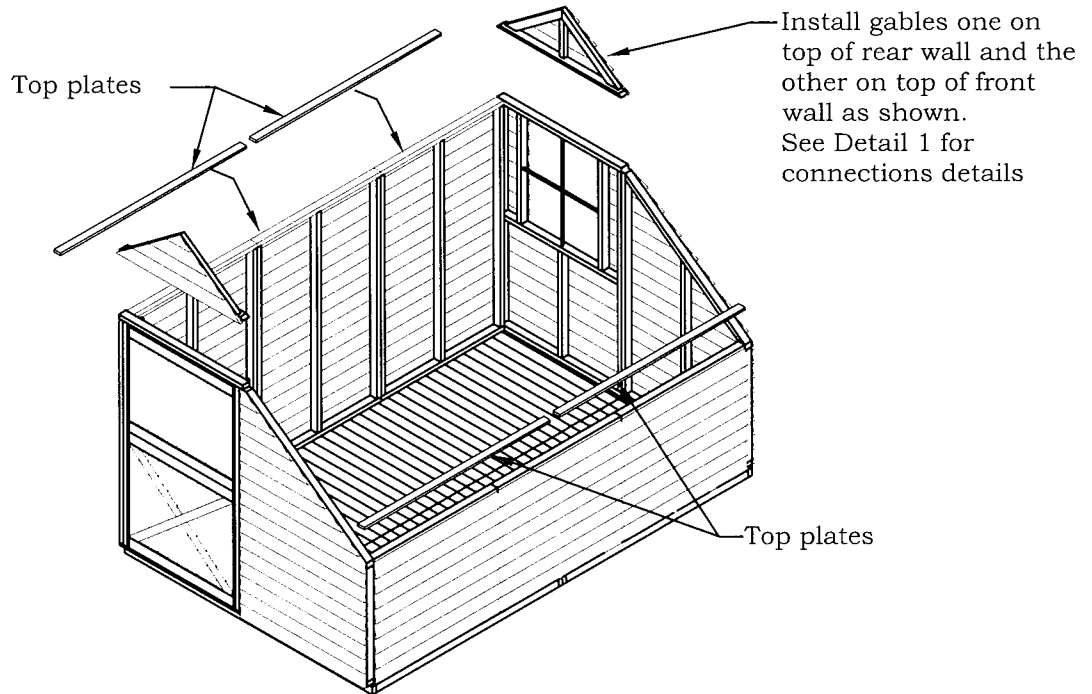
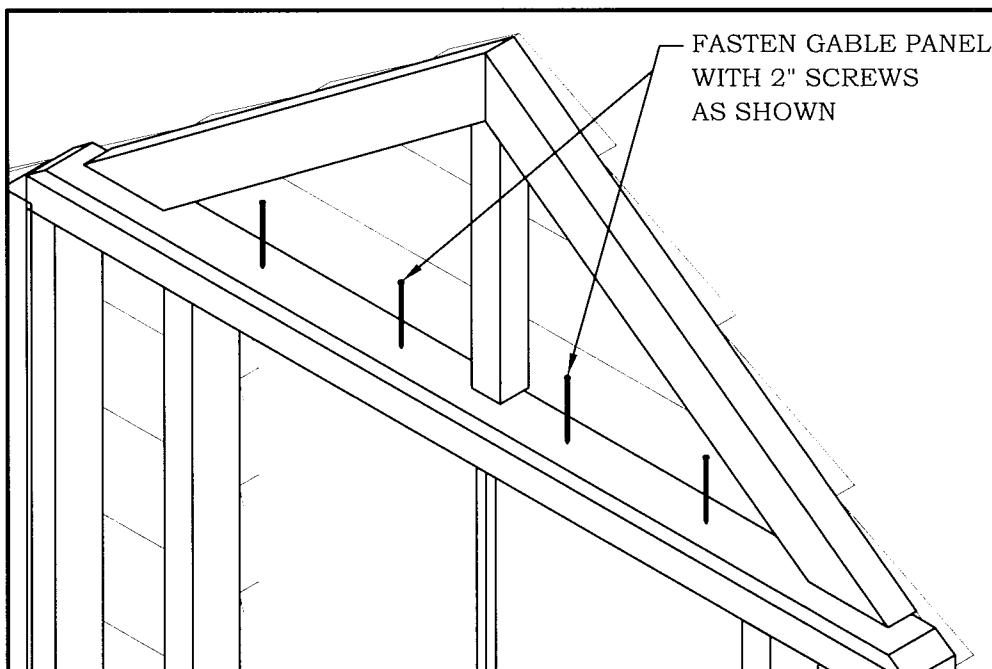


FIGURE D3

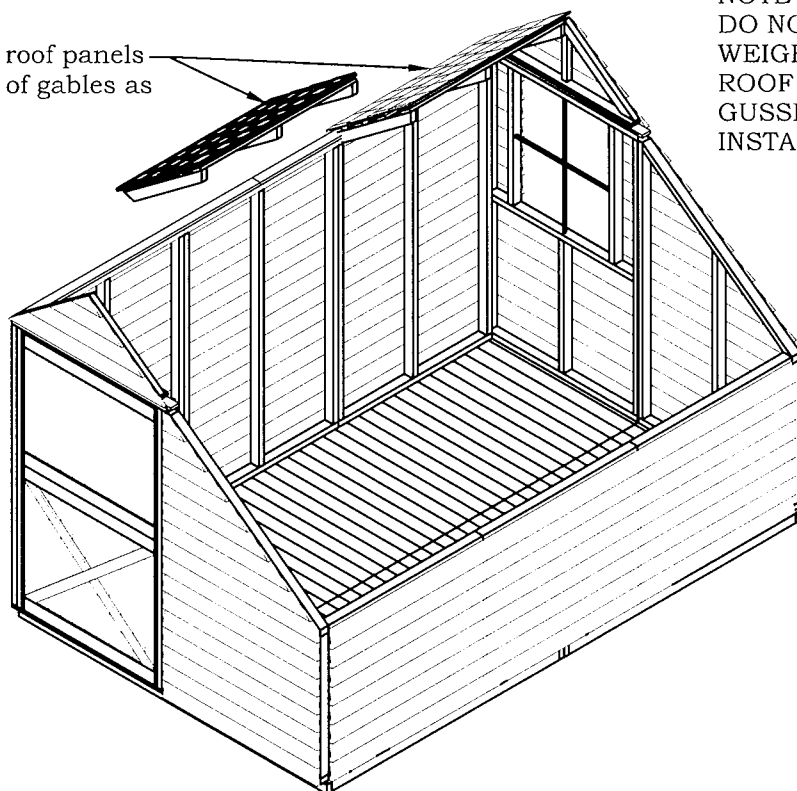


Detail 1

4. ROOF PANELS INSTALLATION

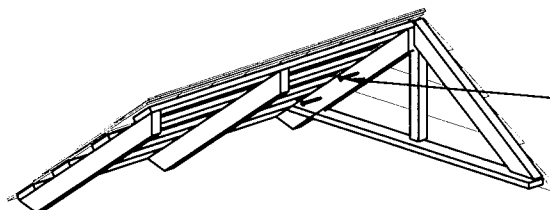
- With the help of another person, hoist one of the roof panels over the installed gables. The 2x3 end rafter will sit directly on the 2x3 of the gable and the rafter will slide up into its final position. Secure the roof panel by screwing through the end of the 2x3 roof rafter into the 2x3 of the gable, as shown in Detail 1. Use 3" long screws to secure the roof panels into place. The middle roof panel must be secured into the adjacent roof panels for the 8x12 and 12x12 models.
- Continue installing the other roof panels in the same manner you did the first one. Figure R1 shows the 8x12 model roof installation. There are 2 short and 2 long roof sections for the 8x8 model and 3 short and 3 long roof sections for 8x12 model. The 12x12 has all 6 long roof sections on both sides.

Install roof panels
on top of gables as
shown



NOTE- FOR SAFETY
DO NOT STAND OR PUT
WEIGHT ON TOP OF THE
ROOF PANELS UNTIL THE
GUSSETS HAVE BEEN
INSTALLED

FIGURE R1



Secure the roof
panel using 3" long
screws as shown.

Detail 1

- Follow the same method to place and install the long roof panels as it is shown previously for the short roof sections. Outside roof panels are wider than the middle roof section. Start installation with the outside roof section and work your way to the opposite side. Secure the panel with 3" long screws into the gable as shown on previous page and then continue to erect the rest of the long roof panels.

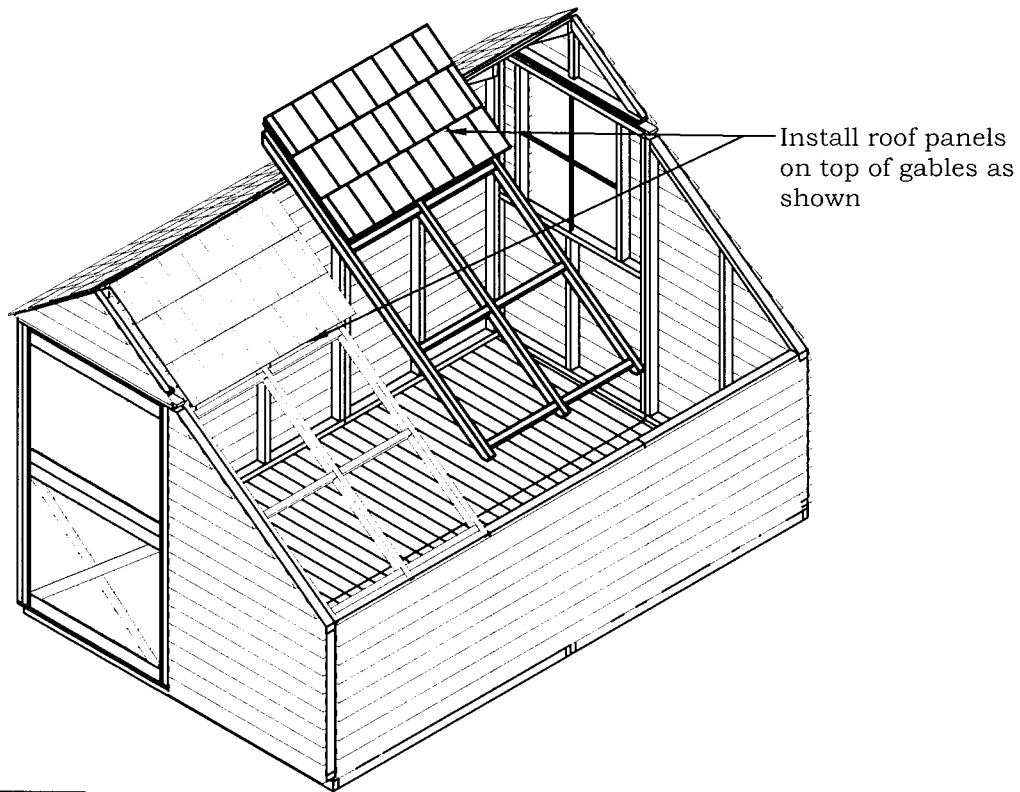


FIGURE R2

- Install the middle roof panel as shown and secure the roof panel together into the adjacent roof panels. Use 3" long screws as you did installing the previous roof panels. See next page also.

Toll Free: 1-800-830-8033

EMAIL: Sales@Cedarshed.com

- Figure R3 shows the illustration of the 12x12 model completing the last outside roof panel installation. Secure the roof panel with 3" long screws into the gable side wall and also into the middle roof panel as shown in Detail 2 and 3.

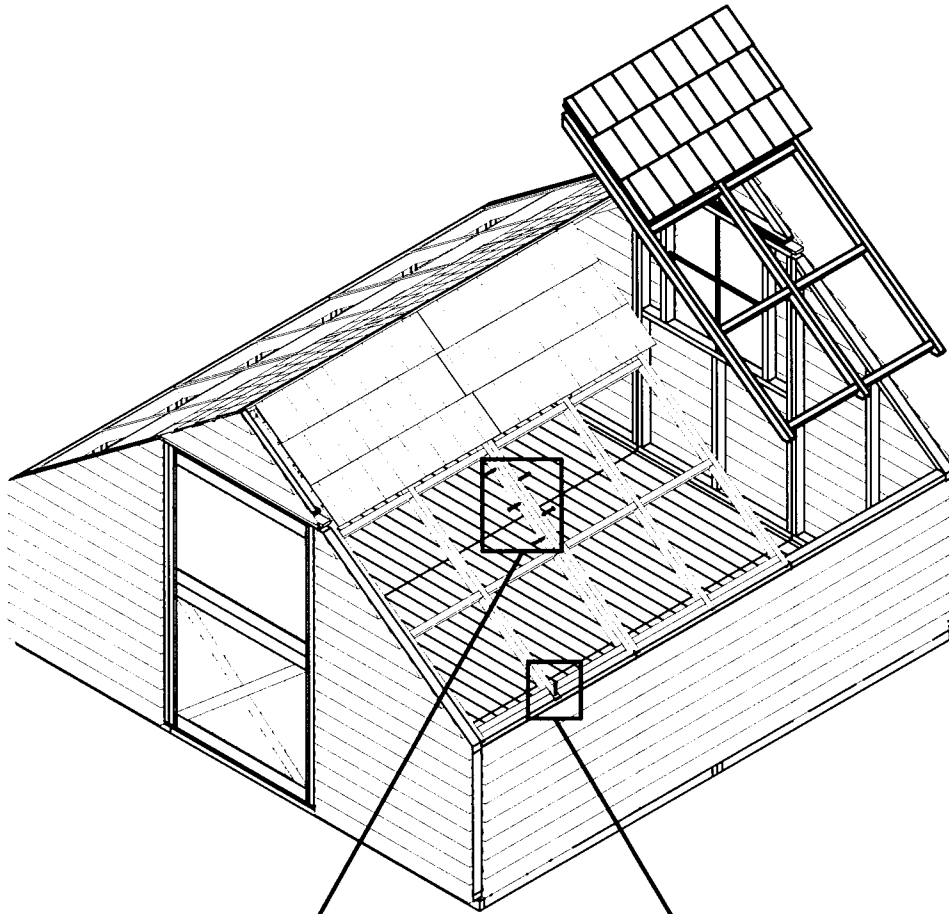
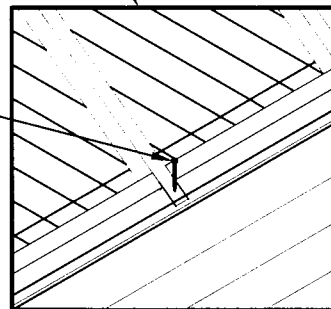


FIGURE R3



Detail 2

Secure the roof panel using 3" long screws as shown.



Detail 3

5. BENCH AND GUSSET INSTALLATION

● The bench assembly is relatively straight forward. The pre-assembled bench legs 4 for 8x8 model and 6 for 8x12 model and 12 for 12x12 model are secured to the floor and the 2x3 studs of the wall as shown in Figure B1. The center legs may be fastened together as well. With the legs in place, place the bench tops with the 2x3 return facing you. Secure bench top by placing screws from the top Figure B1.

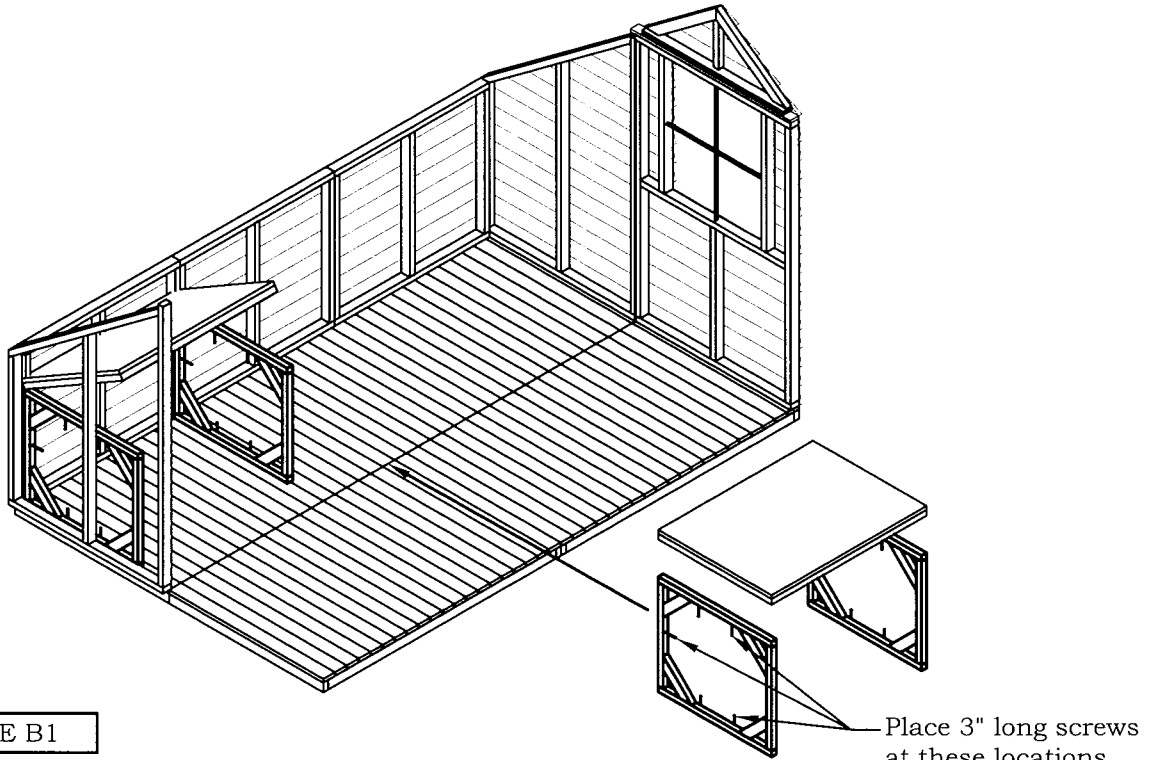


FIGURE B1

● Completed bench assembly illustration.

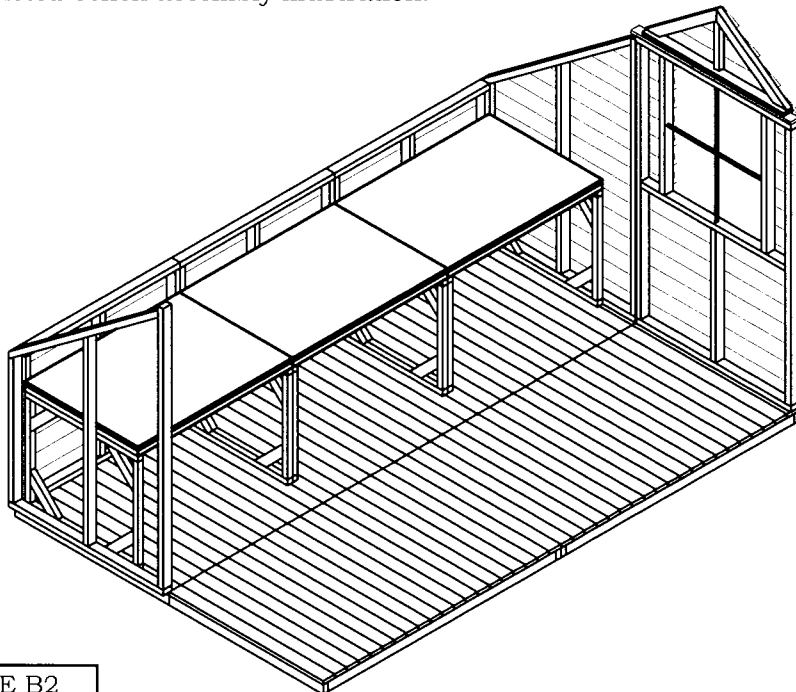


FIGURE B2

- There are 5 gussets supplied with the 8x12 and 12x12 models and 2 with the 8x8 model. The gusset is angle cut and when correctly positioned, it will be flush with the upper edge of the roof rafter. Start the screws into the gusset. Have your assistant push up on the center rafters to remove any sag. When the roof rafters and gusset line up, fasten the screws tightly (Figure B3). Now secure the entire roof with 3" screws about every 12 to 18 inches.

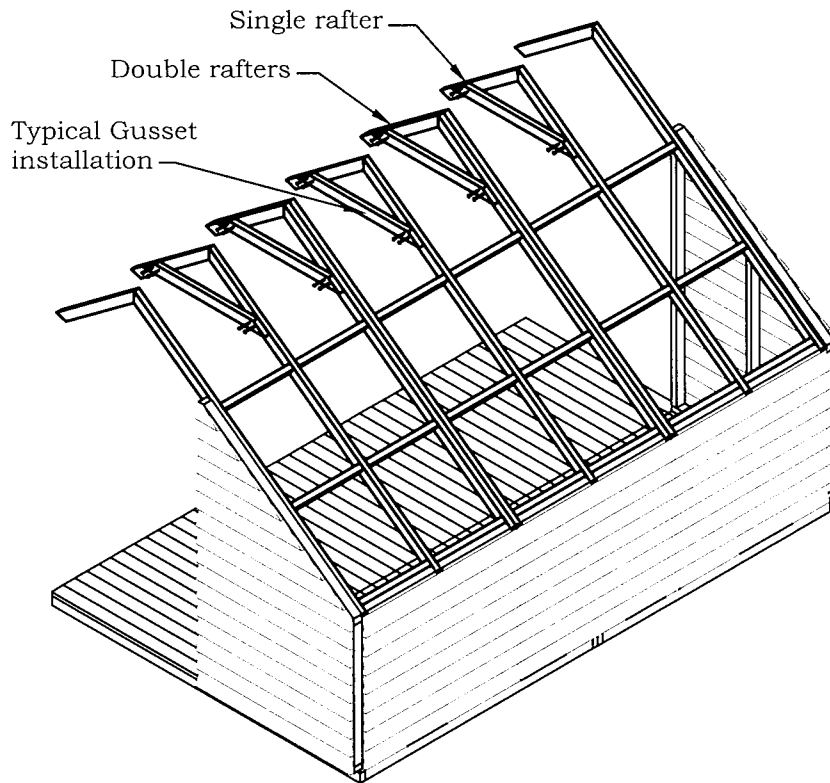


FIGURE B3

- You can stand on top of the bench and complete this procedure for one side and you will need ladder to complete the other side. Starting at the bottom of the roof panel, slide one piece of flashing under the shingles until it is completely hidden. Make sure the flashing is centered over the roof seam. Continue until all 6 pieces per side have been installed. The last piece will reach the roof ridge (Figure B4). The 8x12 and 12x12 models will require this procedure twice on each side.

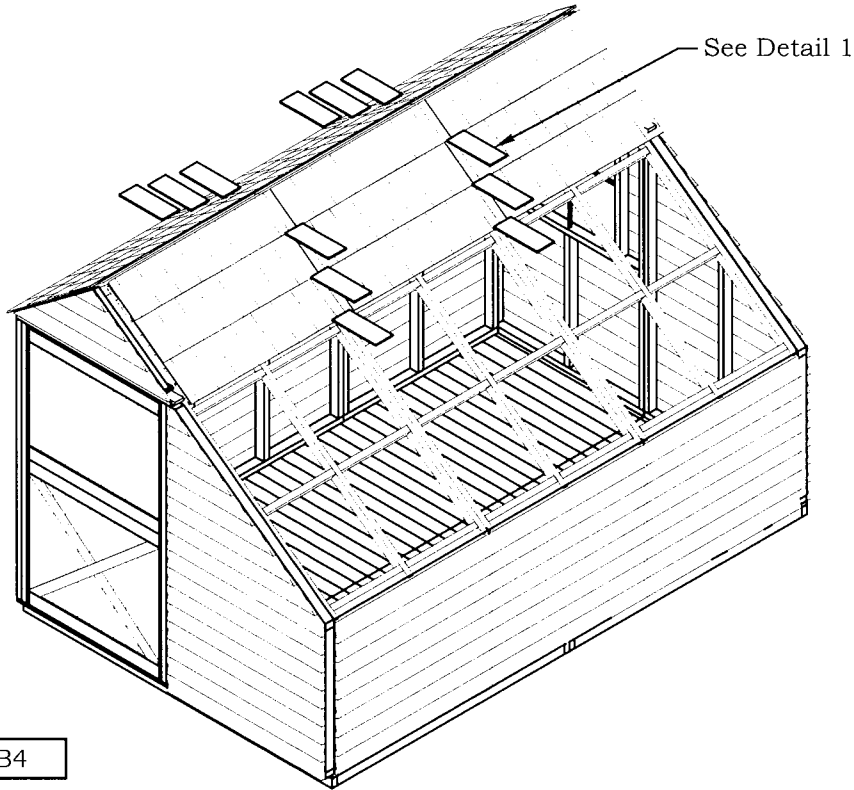
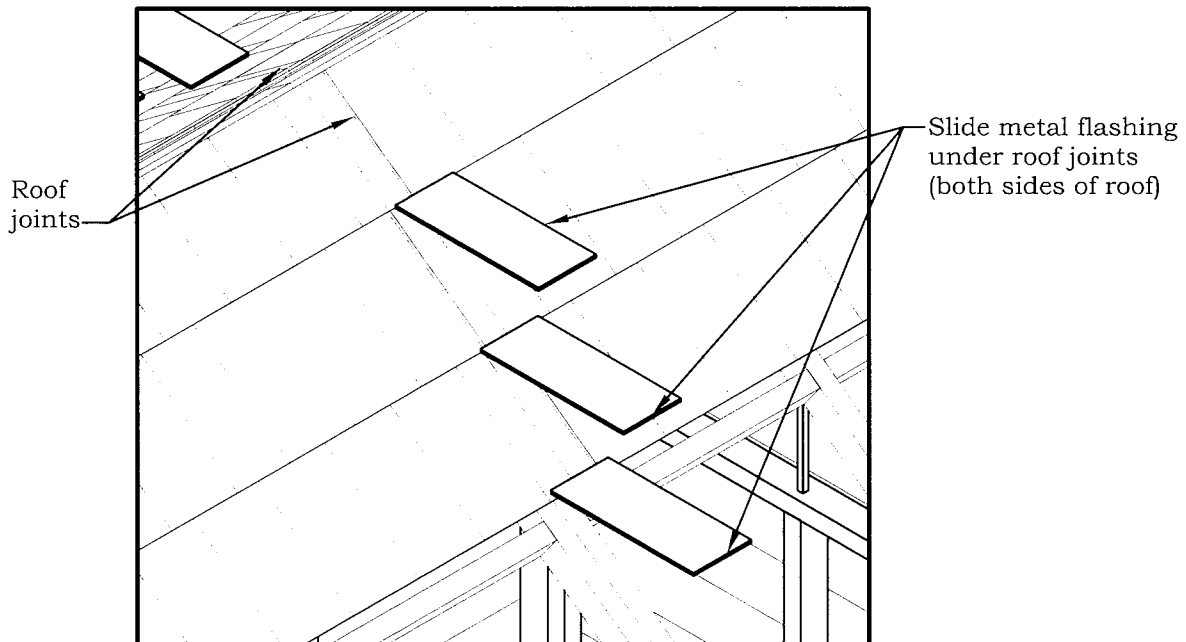


FIGURE B4



Detail 1

6. TRIM BOARDS INSTALLATION

● Install all exterior trim, corner boards and bottom skirting using finishing nails provided. Nail at every 12" to 18" centers. Figure T1 illustrates boards for 8x8 and 8x12 Sunhouse models. Order of installing trims are (1) Fascia boards, (2) Corner and middle trims, (3) Top skirting and (4) Bottom skirting. Remaining trim boards can be installed in any order.

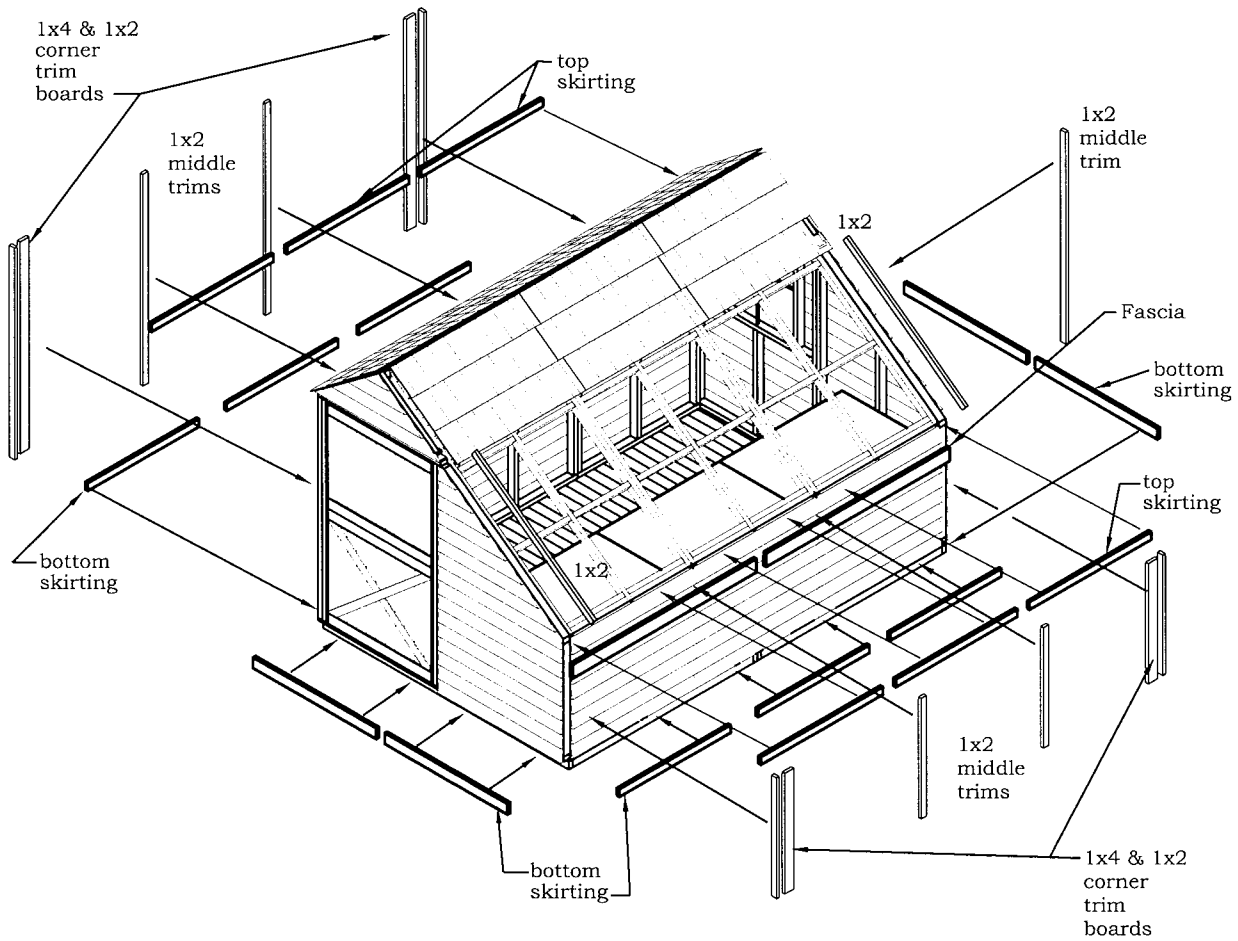
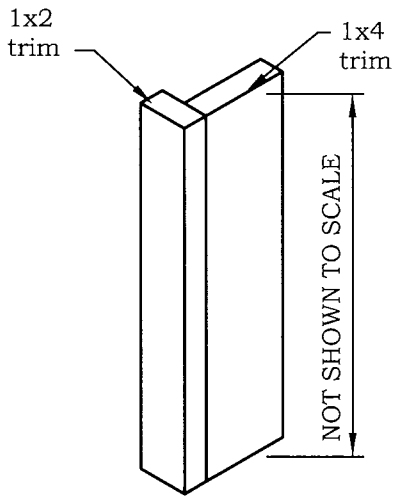


FIGURE T1



TYPICAL DETAIL OF CORNER TRIM BOARDS

- Install all exterior trim and corner boards using finishing nails provided. Nail at every 12" centers. Figure T2 illustrates boards for 12x12 Sunhouse model. Order of installing trims are (1) Fascia boards, (2) Corner and middle trims, (3) Top skirting and (4) Bottom skirting. Remaining trim boards can be installed in any order.

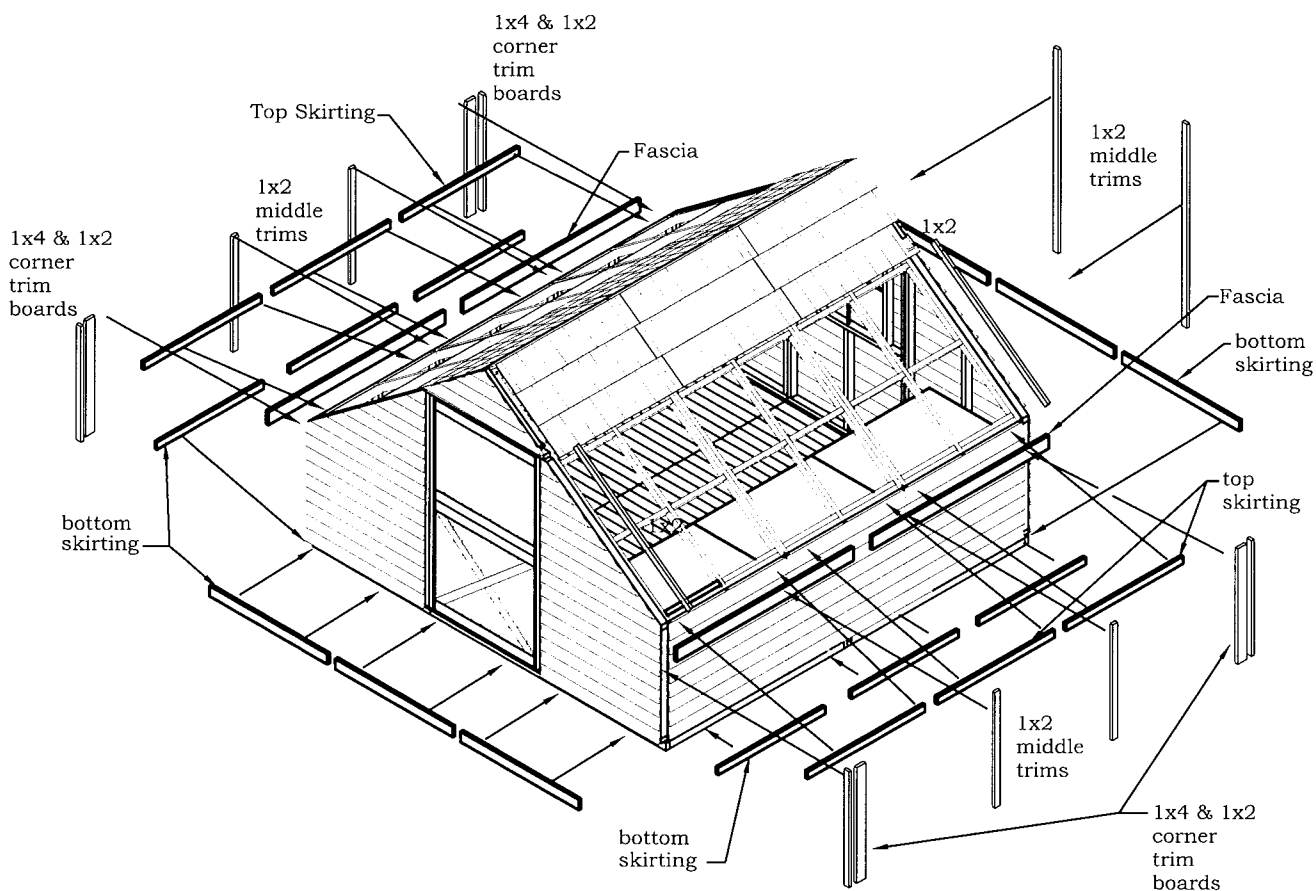
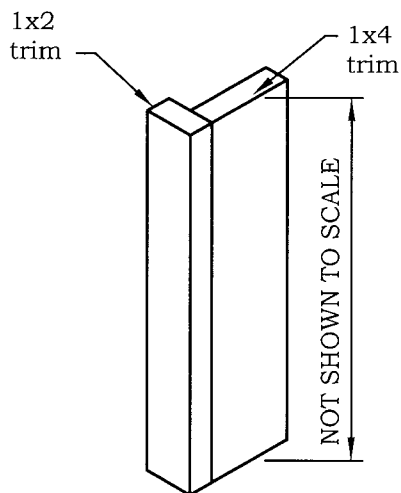


FIGURE T2



TYPICAL DETAIL OF
CORNER TRIM BOARDS

Toll Free: 1-800-830-8033

EMAIL: Sales@Cedarshed.com

7. LEXAN GLASS INSTALLATIONS

- The lexan panels need to be installed to complete your Sunhouse. The outer face of each panel can be identified by the plastic film with lettering on it. The inner face, which will face down into the structure, will also have a protective plastic film but will not have lettering on it. Also, there are two panels that will be slightly wider than the rest. These will be placed adjacent to the fascia ends of the roof. Four lexan panels are supplied for the 8x8 model, and six panels are supplied for the 8x12 model and 12 panels for the 12x12 model. Place all the panels in the correct position, and then remove the film coatings.

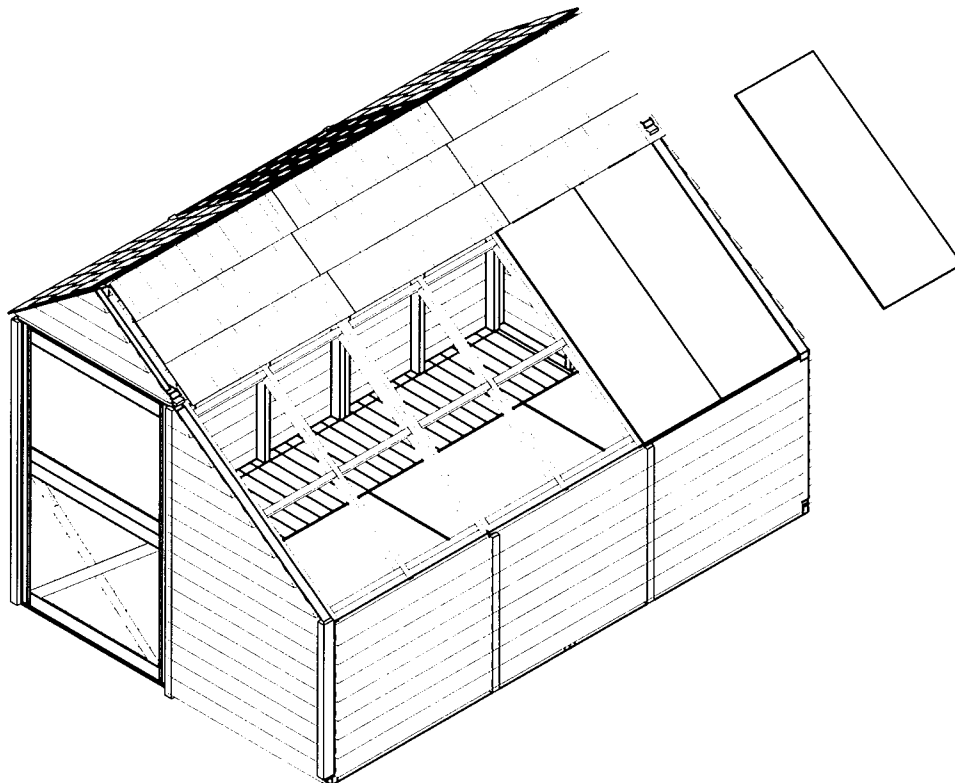
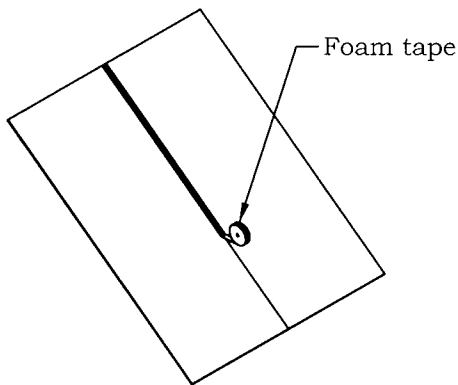
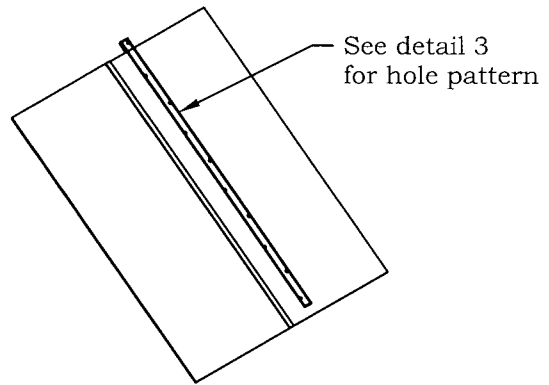


FIGURE L1

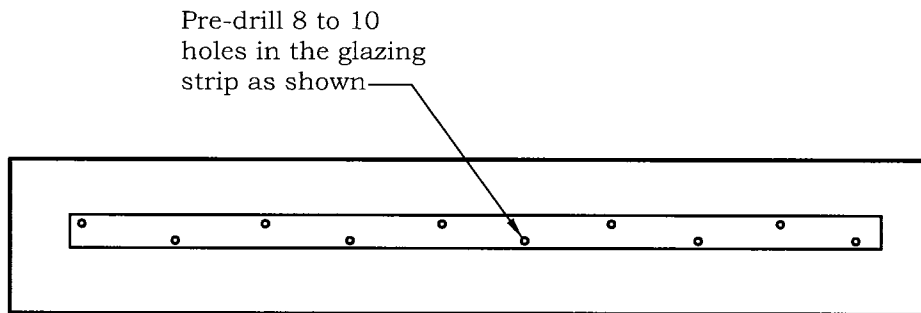
- Once the panels sit correctly in their respective positions, apply the foam tape over the lexan joints (See Detail 1). Be sure to remove the wax paper to expose the adhesive. Neatly cut and trim at all corners and intersections.
- Pre-drill holes in the glazing trim boards using an alternating pattern. For best results, space the holes so that each pane in the roof grid receives at least two screws.
- Place each strip in its correct position over the tape and drill through the strip into the roof frame. Fasten each strip with neoprene washer screws as you complete the drilling. Use 2" screws at 12" centers. (Neoprene washer is against the cedar strip or face down.)



Detail 1



Detail 2



Detail 3

- Install all the fascia boards using finishing nails at every 12" centers. Figure L2 illustrates the 8x8 and 8x12 models. Figure L3 illustrates the 12x12 model.

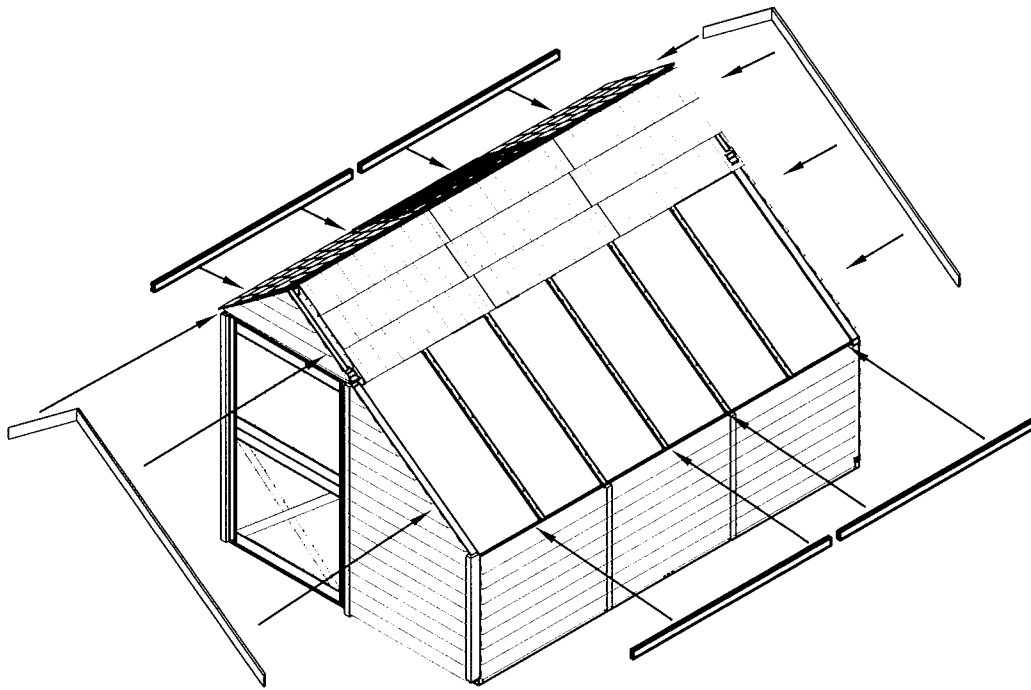


FIGURE L2

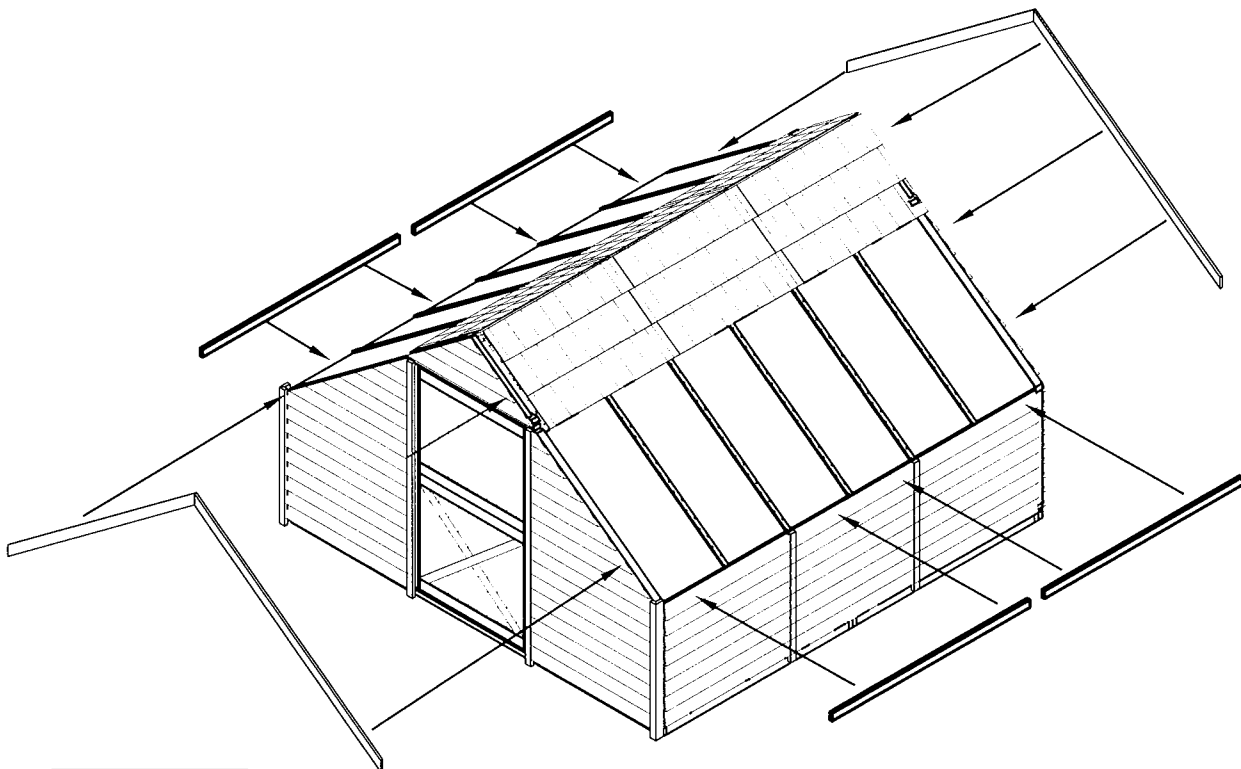


FIGURE L3

8. RIDGE CAPS INSTALLATION

- Before attaching the roof ridge caps, you need to first place roofing felt over the seams between the shingles of the roof panels. The roll of roofing felt is 1' (ft) wide. Cut the roofing felt lengthwise into three 4" wide strips. Place these strips end to end over the length of the seam between the roof panels, attaching it to the shingles with 1" nails.
- The ridge caps are placed over and cover the seam between the shingles of the roof panels. Ridge caps are installed from the rear of the shed proceeding towards front of the shed. Using 2" roof nails, fasten the first ridge cap to the shingles, as it lies flush with the rear fascia. For the first ridge cap, place nails 4" down from rear fascia, with one 2" nail on both left and right sides of the ridge cap into the shingles.
- Place second ridge cap on top of the first cap and put nails at 11" from the rear edge of the second ridge cap. Continue installing subsequent ridge caps at 10" back of the front edge of previous ridge cap. Complete the remainder of the ridge cap assembly over the roof seam. It may be necessary to cut the last ridge cap to size with a hand saw.

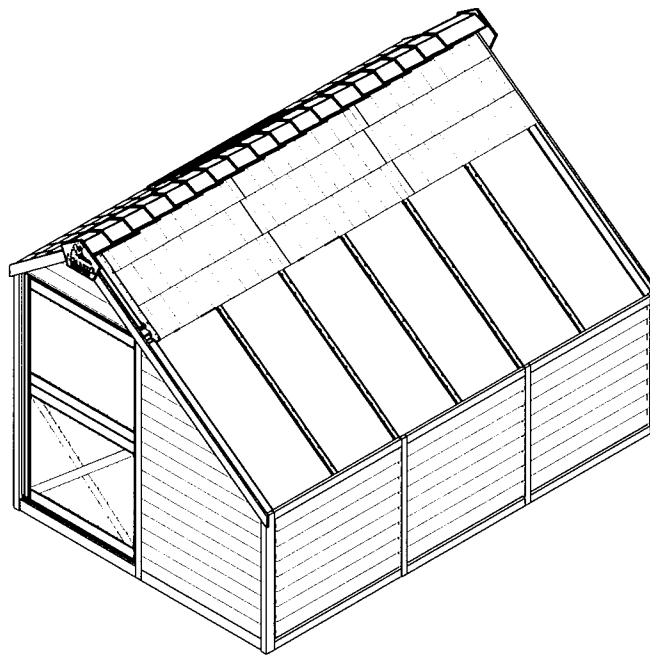
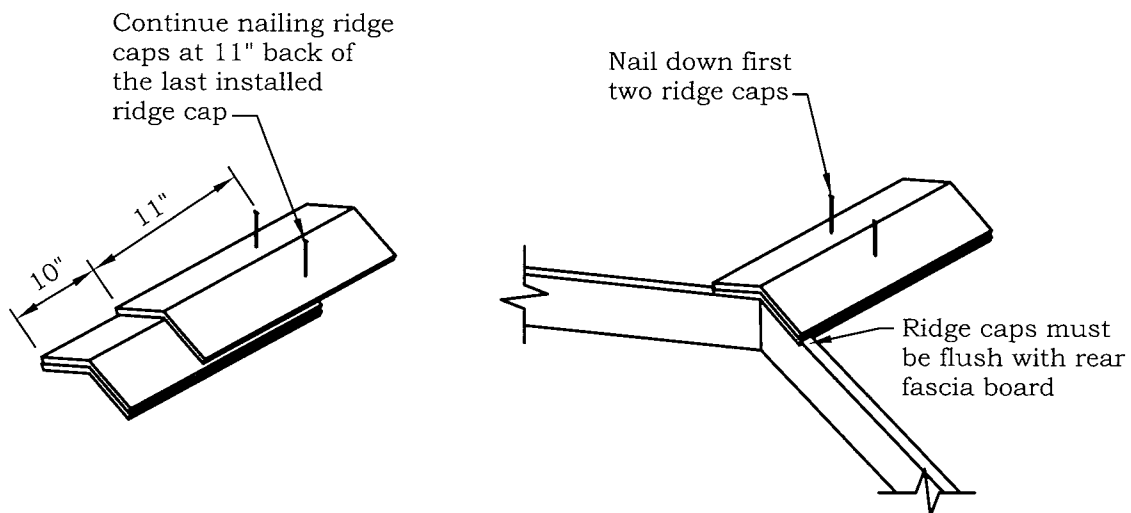


FIGURE R1



PROJECT COMPLETION

You have successfully completed the assembly of your Cedarshed Sunhouse. We hope that your entire experience was a rewarding one and that you and your family will enjoy your new Sunhouse for years to come.

Call Cedarshed if you require additional information.

TOLL FREE CUSTOMER SUPPORT: 1 800 830 8033

As mentioned in the questionnaire (included inside the unit packaging) by completing our questionnaire and mailing a picture of your completed Sunhouse, we will send you a personalized plaque free of charge (maximum of 36 letters).

Mailing address:

In Canada:
Cedarshed Industries (1992) Inc.
9770 - 199A Street
Langley, BC V1M 2X7
Canada

In USA:
Cedarshed Industries (1992) Inc.
P.O. Box 2189
Blaine, WA 98231
USA

