

4' by 4'

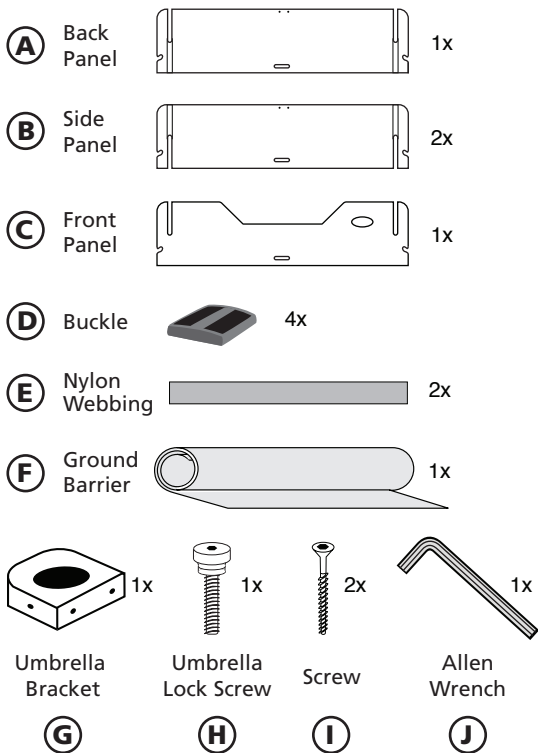
SandLock Sandbox (SLB-4848)



Enjoy your SandLock Sandbox!

You have chosen America's #1 sandbox. With minimal care, your sandbox will look great and provide years of safe interactive fun.

Your SandLock Sandbox kit includes:



Warning: Please use caution when assembling your sandbox. Even with the simple construction, the panels are heavy. To avoid pinching, please keep your fingers clear of the intersections where the panels interlock.

Umbrella bracket (J): May be mounted at any of the pre-drilled top holes on either side panel (B) or the back panel (A). Choose the best location for shade desired. When using the umbrella, press umbrella post firmly into ground and secure with lock screw (I). Attach with allen wrench (J). Use caution when using during windy conditions. SandLock Umbrella sold separately.

Seat assembly: Refer to enclosed SandLock Seat Kit instructions.

Play sand: SandLock's 4' by 4' sandbox holds approximately 8 50-lb. bags of play sand. Sand not included.

Cleaning: Wipe clean with any all-purpose cleaner and towel.

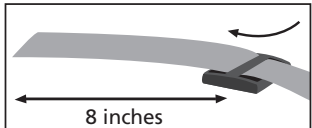
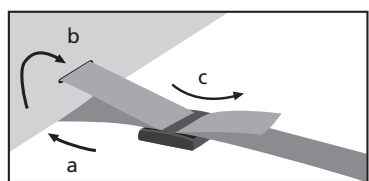
Disassembly and storage: When it's time to take apart your SandLock Sandbox simply disassemble and store flat.

Please feel free to contact us at:
SandLock Sandbox
Toll Free: 1-866-963-9422
www.sandlock.com

Pre-assembly

1. When setting up your SandLock Sandbox begin by locating level ground where sandbox will be assembled
2. Place back (A), side (B), and front panels (C) in designated positions in order of assembly.

Assembly

1. Hold back panel (A) upright. Interlock side panel (B) to back panel.
2. Interlock front panel (C) to side panel (B).
3. Interlock remaining side panel (B) to back (A) and front panel (C).
4. Slide a buckle (D) on each end of nylon webbing (E) approximately 8 inches from end. Ensure that the flat side of buckle is facing down.
5. Strap front (C) and back panels (A) together with nylon webbing (E)
 - a) place one end of webbing under the back panel (A),
 - b) bring end through slot, and
 - c) bring end through the buckle. Buckle should be approximately 2 inches from inside of panel.
6. Repeat step 5 for front panel (C).
7. Pull webbing taut between the two panels. Use caution not to overtighten, which can cause panels to bow inward.
8. Repeat steps 5 and 7 strap side panels (B) together.
9. Place ground barrier (F) inside sandbox. Ensure that webbing is not exposed.
10. Pour in play sand (not included).
11. Refer to enclosed seat kit instructions for seat kit assembly.

