

StorageTrak™

storage system



**When was the last time
your garage looked this good?**

Are you tired of your garage acting as the last stop before the trash heap? Don't want to join the thousands of Americans who get injured every year from garage mishaps? And how about that new paint job on your car... will it survive the piles of stuff stacked up in your garage?

Now you can transform your garage into an organized, efficient storage center! All your items can be visible and accessible – toys, outdoor gear, gardening tools and more!! With the mess cleaned up, you can use the garage for storage and guess what... your automobile!!!

Get it off the floor and onto the wall... with Storage Trak™

The StorageTrak™ Advantage

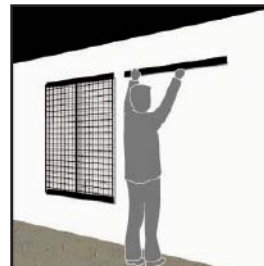
On the other hand, StorageTrak™ is a steel construction modular system that takes literally minutes to install and provides incredible value! Now your garage can look great, without the potential hazard, expense and hassle of other heavy storage systems!

- **It's Modular!** There are no decisions to be made because we supply the entire system in easy-to-use kits. Each 4' wide x 5' high Wall Panel TrakPak™ contains two wall panels and two 4' J-Traks that take less than 20 minutes to install. Each Hook TrakPak™ contains 16 assorted hooks, and each Shelf TrakPak™ contains 5 assorted shelves, all carefully tested and planned to maximize storage.
- **It's Efficient!** This open-access system covers every square inch of the wall for maximum storage. And unlike floor standing cabinets, the StorageTrak™ system is hung on the wall and the storage accessories are fully positionable without the need for any locking fasteners. This versatile grid-pattern wall panel can even be used to hang things like bungee cords or cleaning towels.
- **It's Super Strong!** Heavy gauge steel construction, combined with in-stud sinking of the J-Trak that holds the wall panels in place, make StorageTrak™ an ideal solution for everything from garden hoses, to coolers to golf club bags. For example, in the Shelf TrakPak™, the Utility Shelf has a 25 lb capacity, the All-Purpose Shelf has a 50 lb capacity and the Wire Basket, a 75 lb capacity. The total capacity of the Shelf TrakPak™ is 275 lbs!

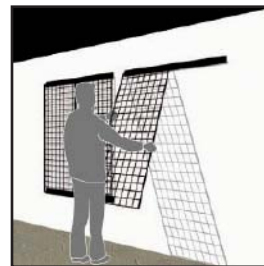
While there are other wall mounted storage systems available, most are either expensive specialty rack devices or complicated, wood cabinet type designs that are delivered unassembled and take forever to build and install, sometimes even requiring professional help. Not to mention that storing items behind doors in a 24" cabinet makes it difficult to find what's needed and takes up valuable space. StorageTrak is sold in three easy kits with all of the storage accessories to hang or shelf most everything found on the floor of a garage. The installation time in a studed garage is 20 minutes per panel – or less!

All of your household items are stored on shelves, baskets or hooks for easy access and remain clearly visible. These components can be re-positioned at will, to handle any item. And because the system is only 15" deep, navigation around the garage is a breeze. The best part is that StorageTrak is a full wall coverage system that costs less than half of most other systems, and because the open wire mesh construction weighs next to nothing compared to pressboard-type systems, kits are shipped affordably via FedEx or UPS ground. And don't forget... after the garage gets organized, StorageTrak is perfect for the basement, outdoor shed, pool cabana and pantry! It's a great gift, too!

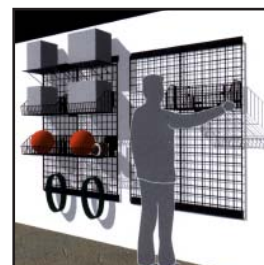
Easy Installation



1. A chalk line is drawn on wall to level and establish J-Trak height.



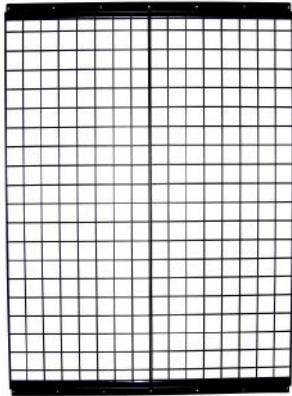
2. Using a stud finder, J-Trak is aligned to chalk line and mounted using provided self-tapping screws.



3. Hang grid panels on J-Trak and let hang free. With grids dangling from top J-Trak, hang other J-Trak from upward pointing grid hooks. Mount J-Trak to same studs as used for top J-Trak.

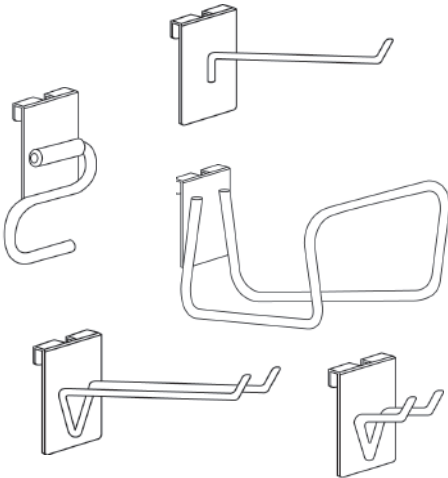
StorageTrak™

storage system



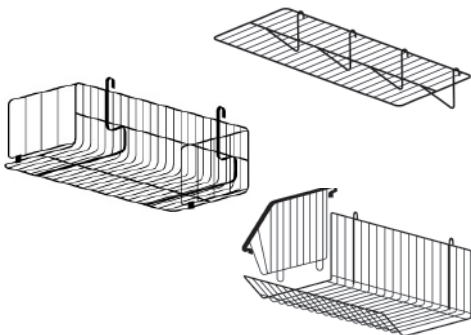
Wall Panel Kit

Item #	Product Description	Quantity Per Kit	Kit Weight	Kit Carton Dimensions
STWKV01	Wall Panel Kit consisting of:	1 carton	55#	24"W x 62"D x 2"H
STWPV2460	24" x 60" Wall Panels	2 pcs		
STJYTK48	48" Long J-Traks	2 pcs		



Hook Kit

Item #	Product Description	Quantity Per Kit	Kit Weight	Kit Carton Dimensions
STHKK01	Hook Kit consisting of:	1 carton	13#	10"W x 12"D x 10"H
THH	Tool Handle Hook	2 pcs		
SH08	Single Hook	6 pcs		
SDH03	Short Double Hook	2 pcs		
GHB	Garden Hose Bracket	2 pcs		
LDH10	Long Double Hook	4 pcs		



Shelf Kit

Item #	Product Description	Quantity Per Kit	Kit Weight	Kit Carton Dimensions
STSHK01	SHELF KIT consisting of:	1 carton	17#	16"W x 26"D x 10"H
US01	Utility Shelf	1 pcs		
WBD	Wire Basket w/ 2 Dividers	2 pcs		
APS	All-Purpose Shelf	2 pcs		



Workbench

Workbench is 24" deep, 48" long and 36" high.
 No tools necessary for assembly.
 Heavy-Duty steel frame and wood shelves hold 500 pounds.
 Ideal as a stand alone or use in the garage with StorageTrak.

Item #	Product Description	Quantity Per Kit	Kit Weight	Kit Carton Dimensions
STWKB01	WORKBENCH consisting of:	1 carton	76#	
#WBW01	Wood Components	1 pcs	45#	24"W x 50"D x 3"H
#WBW01	Metal Components	1 pcs	31#	4"W x 50"D x 4"H



Wall Cabinet

Wall Cabinet is 23" wide, 24" high and 11-1/2" deep.
 Sides are dark gray; door is a gray textured finish.
 Includes left or right hand reversible door and one adjustable shelf.
 Hangs directly on the StorageTrak wall panel and is positionable.
 Requires two persons to install.

Item #	Product Description	Quantity Per Kit	Kit Weight	Kit Carton Dimensions
STCAB01	MATRIX WALL CABINET with Mounting Brackets	1 carton	55#	26"W x 26"D x 4"H