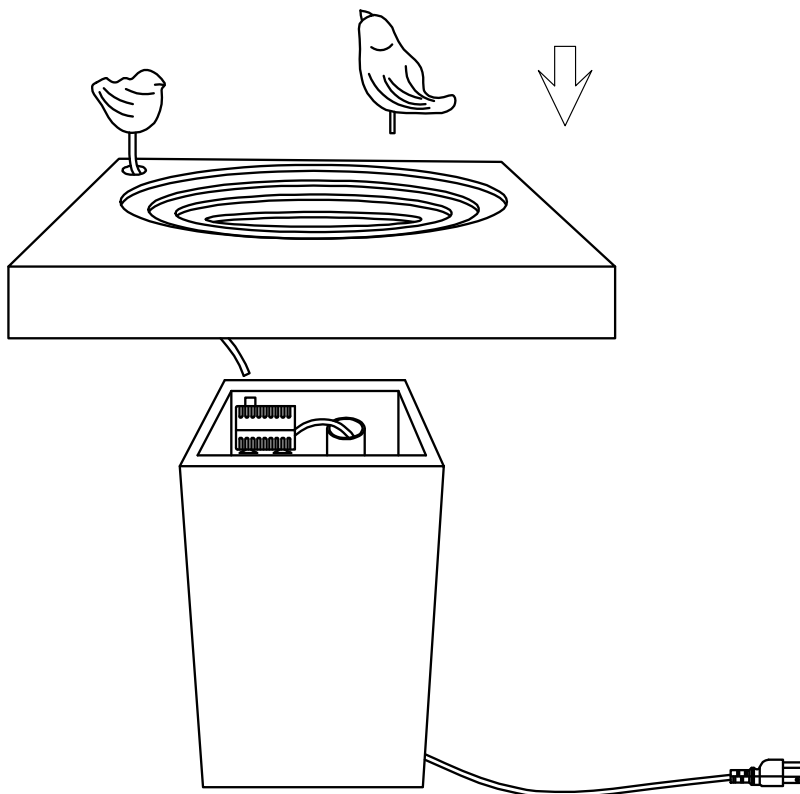


Birds of paradise fountain



Assembly



1. Place the pump into the base pedestal next to the cable tube, feed the cable down through the tube and out underneath the pedestal.
2. Fill the base pedestal with water to the desired level ensuring the pump is covered.
3. Feed the hose from the bird through the hole in the corner of the main bowl.
4. Lower the main bowl onto the pedestal and connect the hose to the top of the pump.
5. Place the other bird in position on the main bowl.

Note: Pump MUST never be used dry. Water must be regularly topped up. We recommend regularly changing the water to ensure it remains clean and free from debris.

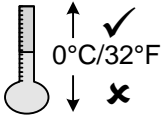
Connection & Operation

You are now ready to connect your fountain to the power source. The plug can be connected to any suitable indoor or outdoor GFCI protected socket.

If connecting outdoors you must also ensure you connect the plug within a suitable weather proof enclosure.

Once connected water will begin to flow from the birds beak and down into the base pedestal.

Frost



Frost can cause damage to the pump and fountain. The pump **MUST** be removed if the water is likely to freeze. We also recommend storing your entire fountain in a frost proof environment if temperatures are likely to remain consistently below freezing.

Maintenance

ALWAYS shut off the power before cleaning and maintenance.

- Regularly change the water and clean to prevent the build up of sediment and algae.
- Regularly check the water level, particularly in hot weather and always ensure the water level is above the pump.
- Switch off power when the fountain is not in use for long periods of time.

If the pump fails to operate check the following:

1. Check if the power is correctly connected
2. Check if sufficient water is inside the reservoir
3. Check the pump and tubing for any form of obstructions
4. Check and clean the pump by rinsing all the parts through with water.

If the pump continues to fail contact customer services (refer to contact sheet or website).

Warranty

If within 12 months from the date of purchase this product fails due to a defect in material or workmanship. Smart Solar will replace or repair it free of charge.

The warranty does not apply to:

Damage caused by accidents, abuse, poor handling, frost or normal wear and tear. Products that have been subject to unauthorized repair or modification.

For further information please contact your nearest service centre detailed below:

Tel: 813.343.5775

Email: ussupport@smartsolar.com

www.smartsolar.com



OCEAN KEY INSTRUCTIONS OK20 PUMP

Ocean Key pumps are carefully inspected and tested to ensure both safety and operating performance for pond and fountain applications. However, failure to follow the instructions and warnings in this manual may result in pump damage and/or serious injury. Be sure to read and save this manual for future reference.

-WARNING-

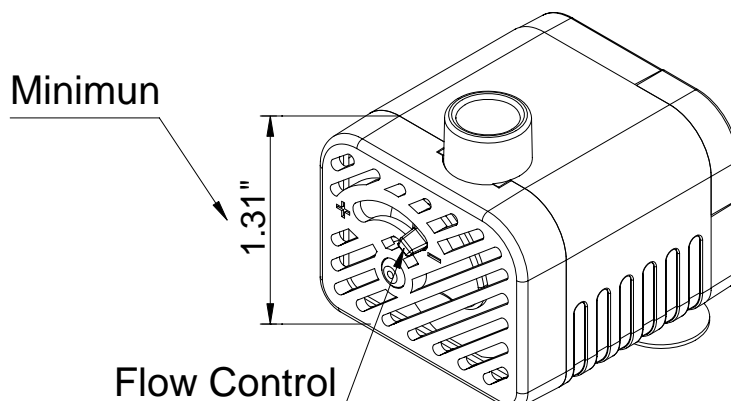
- The National Electric Code requires that a ground fault circuit interrupter (GFCI) be used in the branch circuit supplying fountain pumps and other pond equipment. See your electrical supplies dealer for this device.
- Do not remove the grounding pin from the plug.
- Do not connect to any voltage other than shown on the pump.
- Do not pump flammable liquids.
- Do not use with water above 87° Fahrenheit (30°C)
- To reduce the risk of electric shock, use only on portable self-contained fountains no larger than 5 feet in any dimension.
- Risk of electrical shock. This pump is supplied with a grounding conductor and grounding-type attachment plug. To reduce the risk of electric shock, be certain that it is connected only to a properly grounded, grounding-type receptacle.
- Ensure that the electrical cord loops below the electrical outlet to form a “Drip Loop”. This will prevent water from running down the cord into the electrical outlet.

- CAUTION -

- Always disconnect from electrical outlet before handling the pump.
- Do not let the pump run dry.
- Do not lift the pump by the power cord.
- Do not pump heated liquids.
- Operate in freshwater only.
- Operate pump completely submerged for proper cooling.
- This pump has been evaluated for use with water only.

-ATTENTION-

In order to get best results, operate pump completely submerged. Keep the water level above the minimum water level at **ALL TIMES**



-MAINTENANCE-

A clogged or dirty intake screen will greatly reduce performance. If the pump is used on a dirty surface, raise it slightly to reduce the amount of debris contacting the intake.

If less flow is desired, adjust it with the flow control. Never restrict the pump's intake.

To clean the pump, remove the front plate and the impeller. Use a small brush or stream of water to remove any debris.

CAUTION: The pump shaft cannot be removed.

IF THE PUMP FAILS TO OPERATE, CHECK THE FOLLOWING:

- Check the circuit breaker and try another outlet to ensure the pump is getting electrical power.

NOTE: always disconnect from electrical outlet before handling the pump.

- Check the pump discharge and tubing for kinks and obstructions. Algae build up can be flushed out with a garden hose.
- Check the intake screen to ensure it is not clogged with debris.
- Remove the pump inlet to access the impeller area. Turn the impeller to ensure it is not broken or jammed.
- If the impeller area is encrusted with minerals or corrosion, gently scrape the area clean.
- If your pump has been idle for an extended period, it may be necessary to apply a drop of light oil to the shaft and spin the impeller by hand until it turns freely.
- Monthly maintenance will add to your pump's life.

