



Directions for Set-Up

Decorative Slide Covers



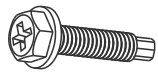
Included Parts

Quantity / Part

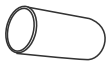
(1) Slide Cover

(5) Support Poles (4 sections each)

(2) Velcro® Strips



(40) Phillips Self-Drilling Screws



(26) Safety Caps

Required Equipment

Drill/Electric Screwdriver

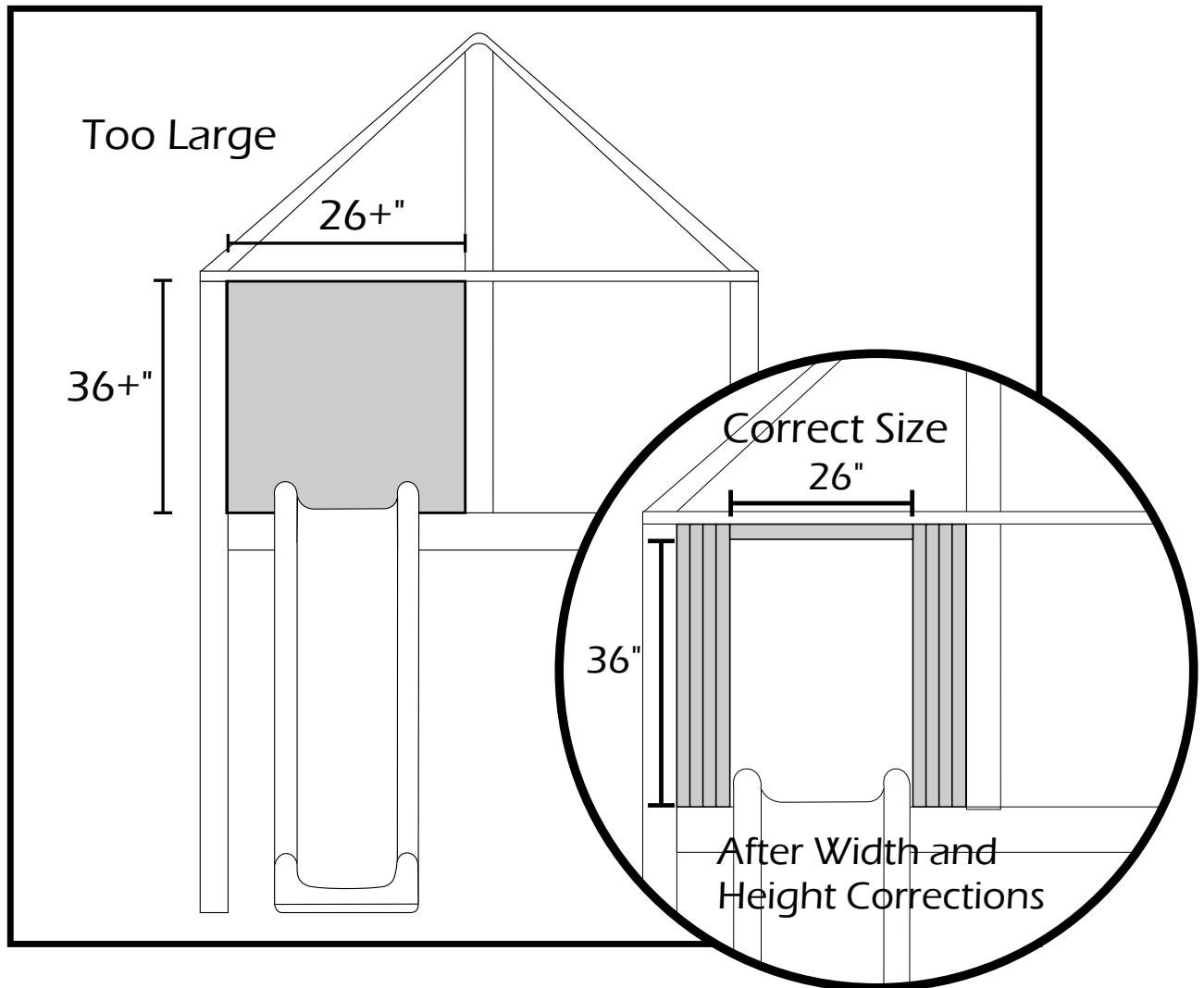
Phillips Screwdriver

Ladder

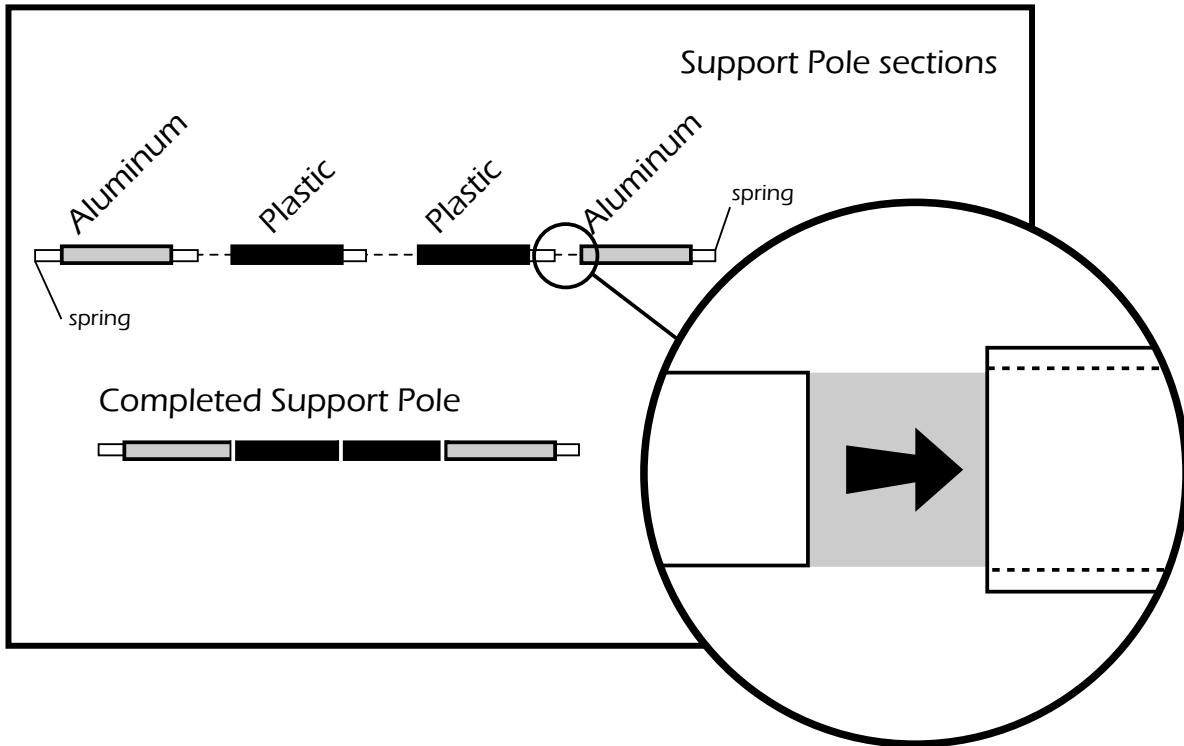
1

Before you begin

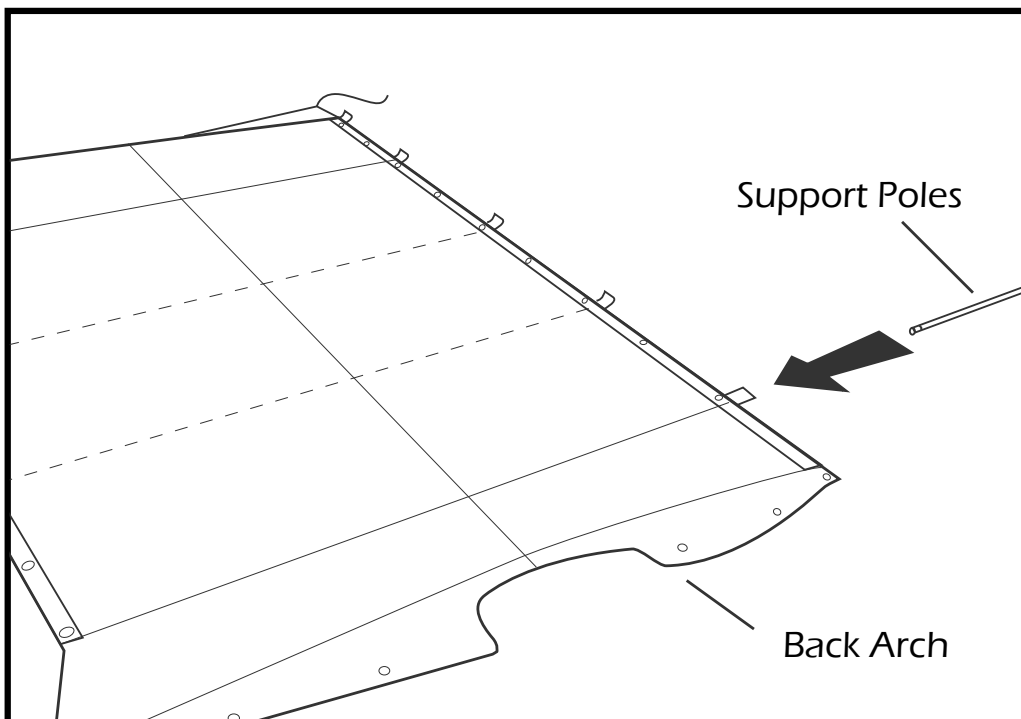
You may need to modify the size of the wooden opening where the slide secures to the playset. If the opening measures larger than 26" wide by 36" tall, wood should be added inside until the correct dimension is reached. The spacing between added wood should not exceed 3".



- 2** Assemble support poles by connecting one aluminum section to two flexible plastic coated sections to one aluminum section. Push together until secure. Repeat for a total of 5 poles.

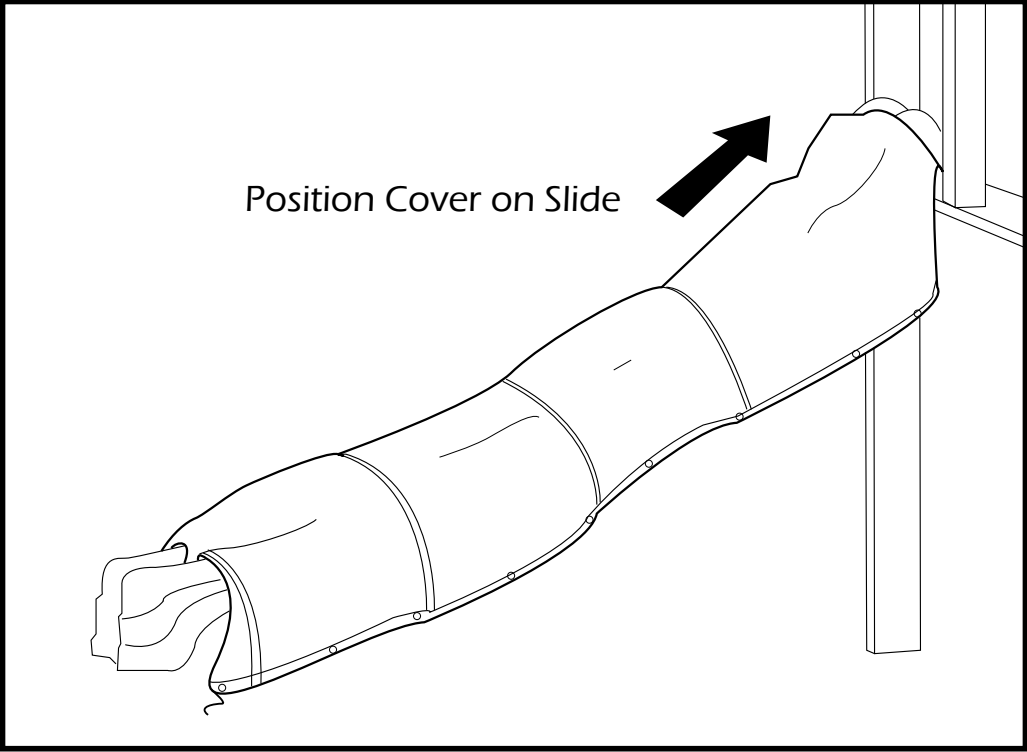


- 3** Unfold slide cover on ground. Then, push poles into sleeves, through access opening on under side of cover. After pole is inserted, **secure pole end closest to you in pocket.**



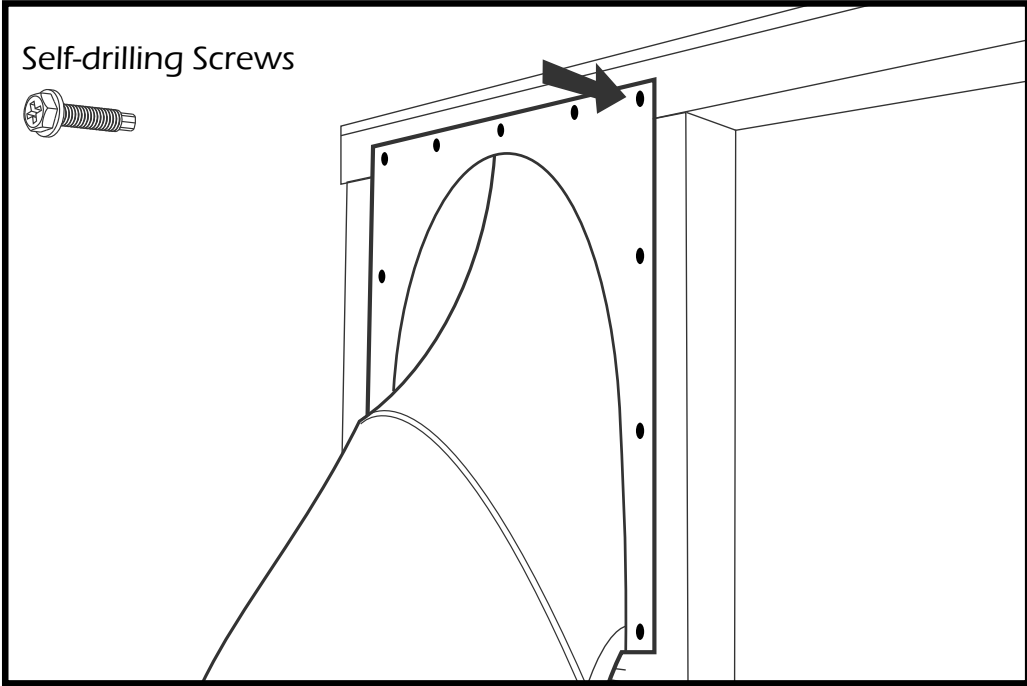
4

Place cover at the bottom of slide, pull the arch end up the slide and position it to be attached.



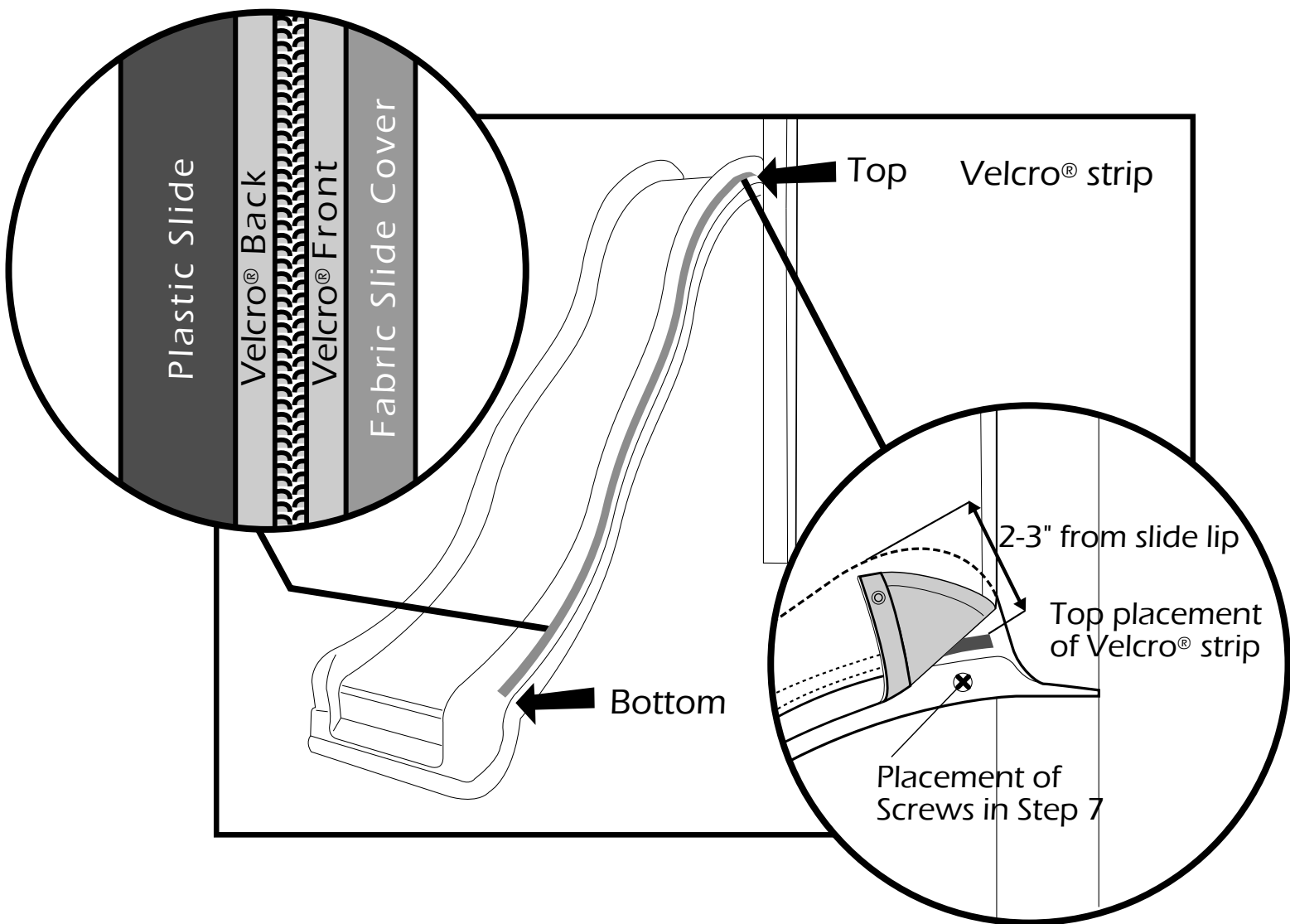
5

Using a ladder attach the end arch section with the self-drilling screws to the play structure. First, attach the top 5 grommets to the top cross beam, then move down attaching both sides.



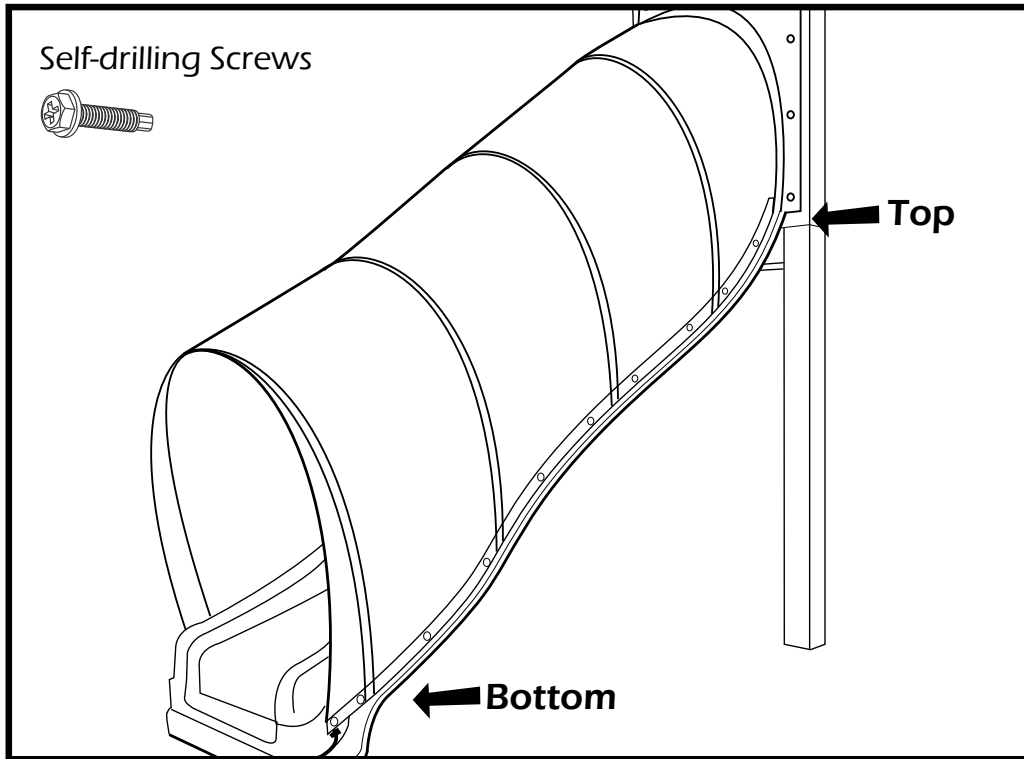
6

Wipe clean the bottom of the slide. Then, peel off paper backing on velcro and apply adhesive side to slide at approximately 3-4" from slide lip, applying from top to bottom the same distance from the slide lip all the way down. Repeat for opposite side. Next, press the slide cover with Velcro® front to the applied Velcro® back on the slide as shown.



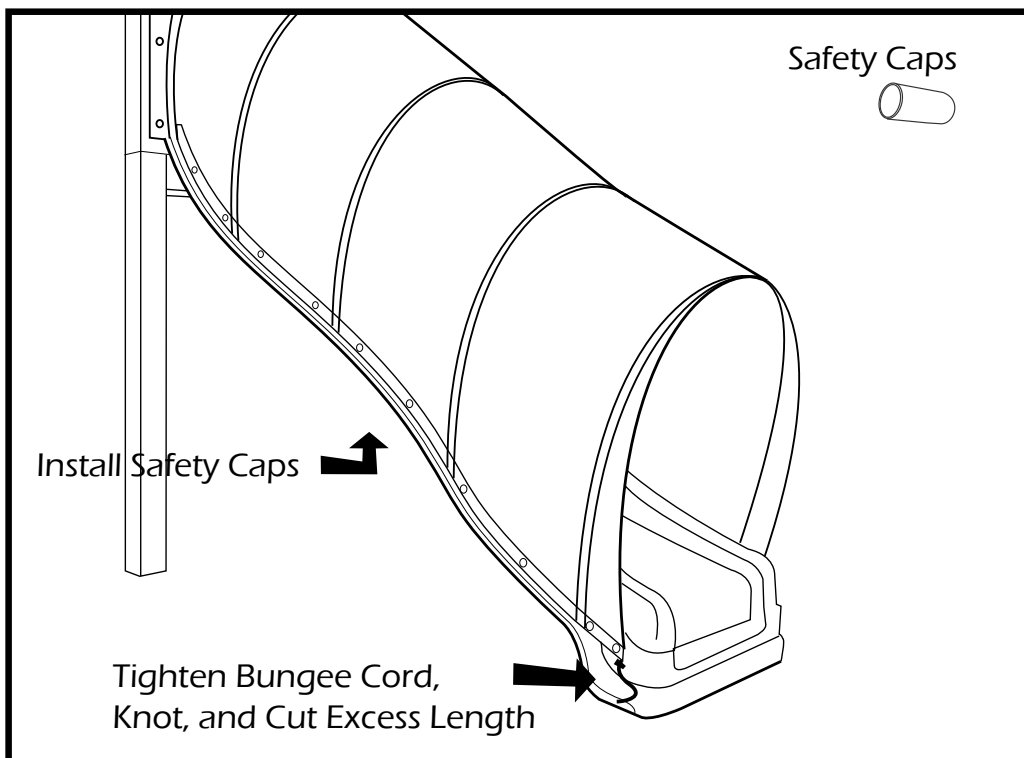
7

To secure cover to plastic slide, insert screws from top to bottom through all grommets on one side then repeat for the opposite side. Make sure cover fits tightly against slide.



8

To finish installation, **push safety caps securely on all screw ends.** Note: on slides with enclosed undersides this may not be necessary. Then tighten bungee cord on bottom side to remove slack in fabric, knot bungee end, and cut off excess length.



Cleaning

Cleaning your cover is not necessary unless it has been heavily soiled. If needed, pressure from a normal garden hose will remove most loose dirt. If further cleaning is necessary wash with a sponge, warm water and a non-detergent soap then rinse clean. Do not use detergent, bleach, presoaking solutions, spot removers or other harsh chemicals.

Storage

When cover is not in use place inside carry bag and into box and store in a cool dry area to prevent fabric deterioration.

Weather Precaution

Cover is not intended to withstand extreme weather conditions. If expected, remove cover from slide and store as suggested.

Have Questions or need help installing?

Go to www.fantaslides.com

e-mail us

or call us at **770-360-9002**.

FantaSlides

Subsidiary of

Shooting Star Designs
INCORPORATED

P.O. Box 2863

Alpharetta, GA 30023

www.fantaslides.com

Playground Safety

- If poles become broken, bent, or damaged, please remove cover and contact point of sale or FantaSlides to order replacement poles.
- Carefully supervise children on playgrounds to make sure they are safe.
- Regularly check playground equipment and surfacing for any possible hazards.

⚠ WARNING!

This cover is intended for use only with plastic playground slides and proper supporting play structures and is not intended for commercial use. The use of this cover in any other manner could lead to serious injury.
