

# SCHAEFER

## TERRACE AND PATIO HEATER

### USER INSTALLATION AND OPERATION GUIDE

#### INDEX

General and specifications .....	1
Security and caution .....	1,2
Tools and accessories required .....	2
Assembly instructions .....	3
Verifying the connections .....	4
Choosing a location for the heater .....	5
Operation .....	5
Storage and maintenance .....	6

Carefully read this guide and all safety information  
before assembling and setting up the heater

THIS APPLIANCE IS APPROVED FOR  
OUTDOOR USE ONLY

---

This appliance is an infrared transportable heater.  
The burner is controlled and adjusted by the gas control knob.  
Gas supply is controlled by the valve on the gas cylinder.

The burner is made of stainless steel. Heat diffusion is assisted by the reflector above.

Technical specification:

- Operating pressure : 11" W.C.
- Maximum output : 45.000 btu/h
- Minimum output : 25.000 btu/h
- Gas consumption at HIGH : 1 kg/h
- Burner orifice size : 1.9 mm

**FOR YOUR SAFETY**

1. If you smell gas :
  - a. Close gas supply at cylinder valve.
  - b. Extinguish all open flame
  - c. Proceed to a leak test
  - d. If bubbles are detected, retighten connections. If no leaks are detected, open gas valve at cylinder and verify if you smell gas.
  - e. If you still smell gas, shut-off heater completely and gas valve at cylinder. Call the retailer where you purchased the heater or contact a gas appliance service center.
2. Never store or handle gas, or any other flammable vapors or liquids in the vicinity of your Patio Heater or any gas appliance.

**CAUTION**

Faulty installation, modifications, repairs or maintenance to the appliance may be the cause of injury or damage to property.

Carefully read this User Guide before assembling and setting up the heater.

Keep this guide for future reference.

## CAUTION

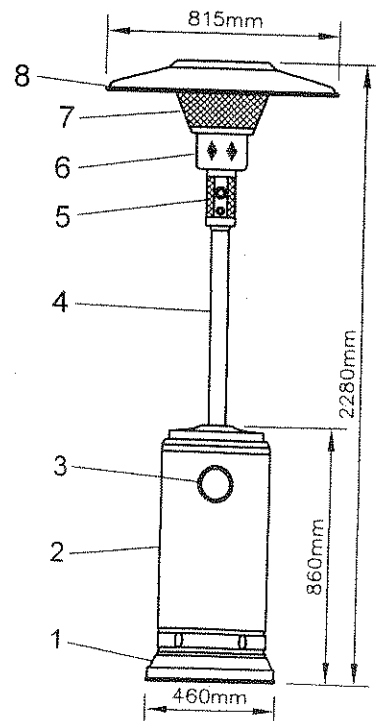
- DO NOT operate the heater in an explosive environment. Keep this appliance away from areas where are stored gas, or other vapors and flammable liquids.
- Before use, verify that no parts are damaged, inspect gas hose.
- Never modify, in any way, this appliance.
- Never use the heater without the reflector.
- Respect minimum clearance from combustibles are seen in figure 12.
- Always place heater on a leveled, stable and hard surface.
- Only use this heater outdoors.
- Never clean with abrasive, corrosive or flammable cleaners.
- Do not paint the heater or some of its parts.
- When fully assembled proceed to a leak test, and every time you disconnect the hose, before lighting up the heater.
- A leak test must be performed before operating the appliance.
- NEVER LEAK TEST with an open flame or while smoking.
- The gas cylinder must be closed at all times when not using the heater.
- Children and adults should be made aware of hot surfaces on the heater.
- Clothing and other accessories or object are not to be hung on the heater, laid on or near it to dry.
- Do not obstruct the ventilation opening (hand hole) on cylinder cover.
- Installation, maintenance and repair of this heater should always be performed by a qualified gas technician.

## PARTS LIST

- 1 Base
- 2 Cylinder cover
- 3 Ventilation opening
- 4 Post
- 5 Gas control
- 6 Burner assembly
- 7 Flame screen
- 8 Reflector

## TOOLS AND EQUIPMENT REQUIRED

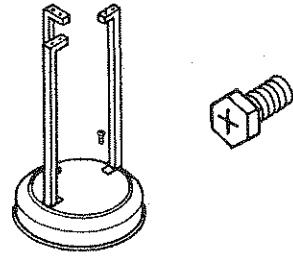
- 10 and 13mm wrench,
- Philips screwdriver, medium blade
- Leak test solution: MIX 50/50 water and soap
- 1 Propane cylinder (not supplied), with QCC 1 valve



## ASSEMBLY INSTRUCTIONS

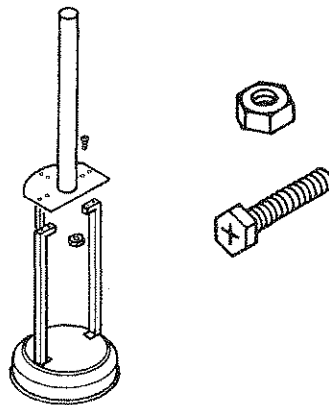
A.

Fix the 3 vertical supports to the base using the 3 bolts M8 x 15.



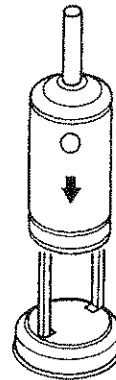
B

Fasten post to the vertical supports with 6 bolts M6 X 35 and 6 nuts M6.



C

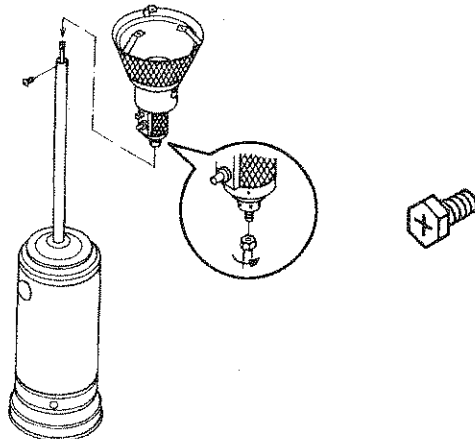
Slide cylinder cover on post.

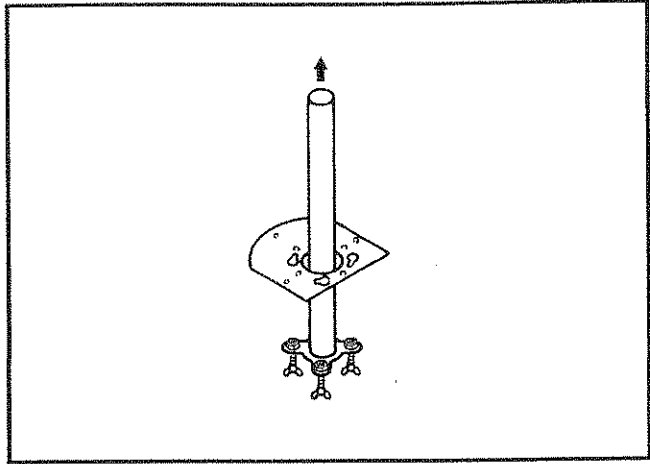


D

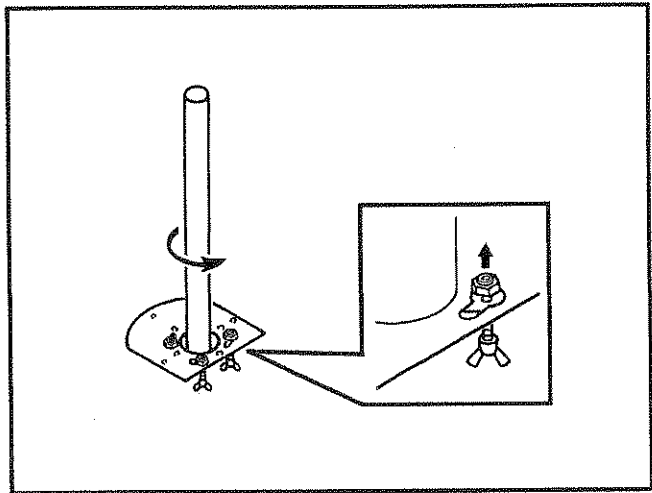
Slide hose through bottom of post and connect to burner head.

Then fasten burner on post with the 4 Philips mechanical screws M6x10mm.

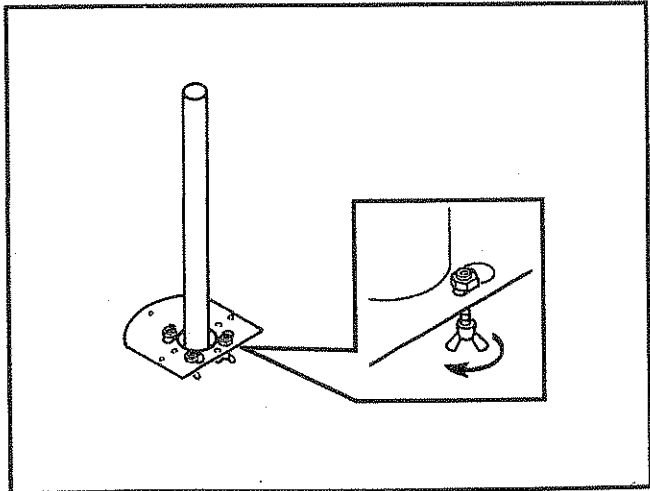




1



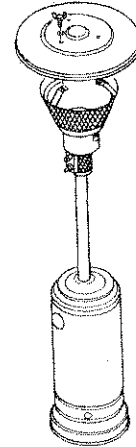
2



3

## E

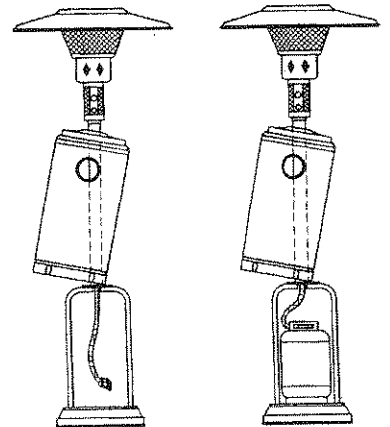
Place a steel washer over each bolt on the burner top.  
Lay reflector over the burner top bolts  
add another steel washer to each bolt.



## F

Install a full gas cylinder on the base.  
Connect the gas regulator hose to the QCC1 cylinder valve by turning the knob clockwise manually.

**Do not use a tool, tighten firmly by hand.**  
Replace cylinder cover.



## LEAK TEST

Now that the heater is assembled, for your safety you must perform a leak test of all connections and hoses.

**Mix in a spray bottle equal parts of water and soap.**

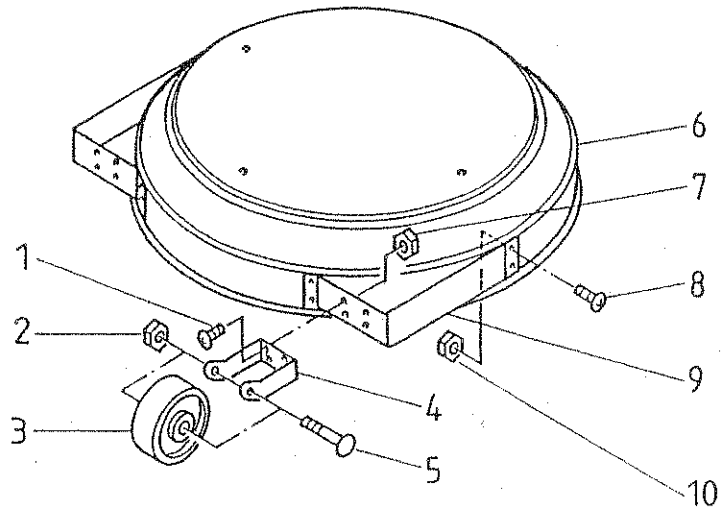
1. Ensure that the heater gas control knob is fully closed by turning completely clockwise
2. Open cylinder valve.
3. Apply generously the solution to all connections and hoses.

If you detect bubbles, there is a leak. Close cylinder valve completely. Retighten the leaking connection and repeat leak test process.

If the leak cannot repaired permanently, close cylinder valve completely and contact the retail outlet where you purchased the heater or a qualified gas technician.

# ASSEMBLY INSTRUCTION FOR WHEEL

- (1) SCREW----- 8 pieces
- (2) NUT----- 2 pieces
- (3) WHEEL----- 2 pieces
- (4) BRACKET----- 2 pieces
- (5) BOLT----- 2 pieces
- (6) BASE----- 1 pieces
- (7) NUT----- 8 pieces
- (8) SCREW----- 8 pieces
- (9) BRACKET----- 2 pieces
- (10) NUT----- 8 pieces



## A SAFE LOCATION FOR THE HEATER

### CAUTION

When objects are left under a heater in operation, they will be subject to radiant heat and might be damaged.

- The principal application of this heater is to give the comfort of heat to pool and spa areas, terraces, work areas, etc.

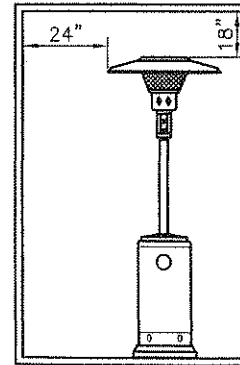
**This heater is approved for outdoor use only.**

- Provide fresh air ventilation at all times
- Respect minimum clearances to combustibles as shown in figure 11 below.
- Install heater on a leveled, solid and stable ground.
- Do not install in an explosive environment. Keep away from areas from where gas, vapors or flammable liquids are stored or used.
- In case of high winds, shut-off completely the heater and the cylinder gas valve. Remove reflector dome.
- Do not move the heater when hot.

### CLEARANCES FROM COMBUSTIBLES

Respect clearances as shown:

- Sides of reflector : 24 inches
- Above reflector : 18 inches



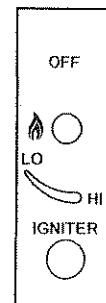
### OPERATION

#### Turn ON

1. Push knob and turn counter-clockwise 90° and hold it.
2. At same time Press the igniter until the flame comes on.
3. Release the knob and check if the flame stays on the burner. If it goes out, repeat (2) as above.
4. Release the knob and turn it to the max temperature in fully counter-clockwise.

#### Turn OFF

1. Turn the knob clockwise to the stop position.
2. Depress knob and turn clockwise to shut off the Valve from the gas supply cylinder completely.





## **STORAGE**

When heater is not in use for a prolonged period of time, remove gas cylinder. Verify that the gas valve is closed tightly.

Do not store the gas cylinder indoors.  
Store gas cylinder in a well ventilated area.

## **PREVENTIVE CARE AND MAINTENANCE**

Once a year, the heater should be inspected for debris, insects, or spider webs that could obstruct the burner. The burner area is likely to attract spiders. This may damage the burner if it is not kept clean of debris.

## **HAVE HEATER INSPECTED IF .....**

- You smell gas combined with yellow tipped flames on burner.
- Heater does not provide expected heat capacity.
- Burner makes little explosion sounds while operating.

This sound is normal when turning off the heater.

## **PRECAUTIONS**

- Verify periodically for leaks in the system, or immediately when you smell gas.
- In case a leak is detected, put out all open flame in the area.
- Never leak test while smoking.
- If you cannot repair a leak, turn off gas supply at the cylinder valve and contact the retailer where you purchased the heater or a qualified technician.
- Do not alter or modify in any way this heater.
- Contact the manufacturer for replacement parts.
- The installation of this appliance should be done by a certified gas technician in accordance with all local, building and municipal codes.