

Schaefer All Weather Commercial Outdoor Quartz Heater

Infrared Heater - High Output

INSTALLATION & OPERATION INSTRUCTIONS



AWC-1500



3110043



SCHAEFER
Ventilation Equipment

800-779-3267

sales@schaefervent.com • www.schaefervent.com

©2007 Schaefer Ventilation Equipment

Specifications

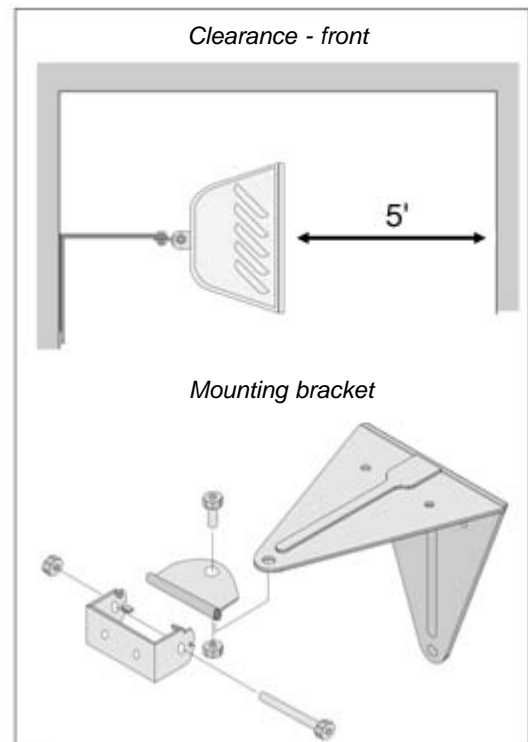
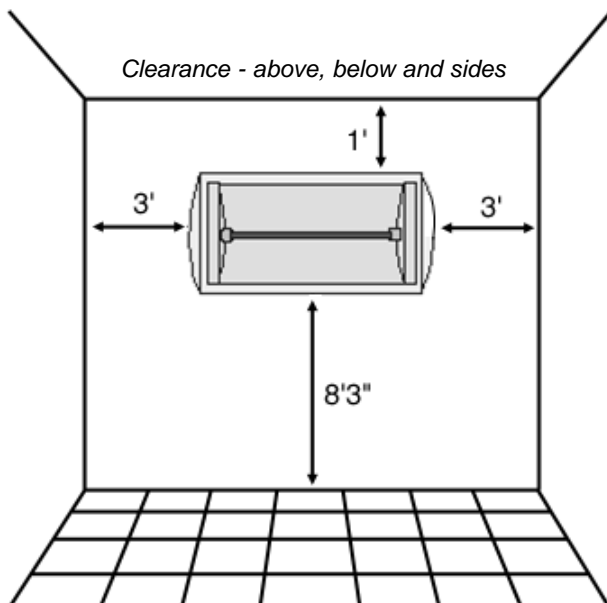
The AWC-1500 is an extremely versatile heater that works by emitting short wave infrared rays. The heat is immediate and very efficient, making operating costs and electricity consumption extremely cost effective. It has a compact design, and is engineered to heat a 10' x 10' area. It is manufactured with the highest quality components in accordance with local, state and federal electrical standards. Includes 7' cord and adjustable steel wall mounting bracket.

This appliance has been developed specifically for outdoor use, and must be installed on a non-flammable surface.
The appliance must be mounted in a horizontal position.

WARNING

The safety of this product can only be guaranteed if these instructions are followed. Please keep them for future reference.
Always disconnect the heater from the main electrical supply during installation and/or replacement of the bulb.

IP Rating	IP-65 (Infrared heater protected against rain)
Power Supply	110-120V, 60Hz, single phase, 15 amp circuit
Lamp	1500 watt
Weight	11.35 lbs
Dimensions	18.5" wide x 9.0" high x 5.5" deep
Torque wrench setting of the bracket screws	5.9 ft/lbs
Minimum mounting height	8' 3"
Minimum mounting clearance to structure above	1'
Minimum distance from front face of heater to surface	5'
Minimum distance from side of heater to surface	3'



When using electrical appliances, basic precautions should always be followed to reduce the risk of fire, electric shock, and injury to persons, including the following:

- Read all instructions before using this heater.
- Extreme caution is necessary when any heater is used in areas with children or persons that may not have reasonable judgement around appliances. The heater should never be used unattended.
- Do not operate any heater with a damaged cord or plug or after the heater malfunctions, has been dropped or damaged in any manner. Return heater to manufacturer for examination, electrical or mechanical adjustment, or repair.
- This heater is not intended for use indoors. Never locate heater where it may fall into or around water or combustibles or other container.
- A heater has hot and/or arcing and/or sparking parts inside. Do not use it in areas where gasoline, paint, flammable liquids or highly combustible dusts are used or stored.
- Use this heater only as described in this manual. Any other use not recommended by the manufacturer may cause fire, electric shock, or injury to persons.
- Keep the reflector clean in order to avoid lamp overheating.
- Never use an extension cord with this appliance.
- If the unit is installed in proximity of tents or awnings, please be sure that recommended installation heights and clearances are respected, and that the heater is not in direct contact with the tent or awning material.
- The heater should *always* be connected to a grounded circuit.
- Be sure the electrical supply is adequate for the requirement of the appliance.
- The heater must remain horizontal at all times.
- The lamp can be damaged if touched with bare hands; in this case it cannot be replaced under warranty.
- Do not cover or obstruct the heater while operating.
- The lamp can be replaced by the user; please follow the instructions provided.

POSITIONING

Adjust the reflector of the heater in the direction of the target area. The heater can be adjusted from 4 - 45°, with a 45° inclination to the horizontal line as the optimal angle. The lamp must always be horizontal. The appliance must be installed with the bracket included.

The heater must be installed at a safe distance (clear space) of at least 5' from combustible materials such as cartons, fabrics, curtains etc. as well as glass walls. If installed in an area where there may be flammable paints and/or liquids, the heater must be installed at a minimum distance of 12' from them. We do not suggest the use of this heater in particularly dusty or enclosed areas as this could damage the lamp.

Maintenance

MAINTENANCE AND REPLACEMENT OF THE LAMP

To maintain the heating efficiency of your appliance, occasionally dust the cool lamp with a clean brush, soft cloth or compressed air. *Do not touch the lamp with your fingers, as residue from your hand could affect the life of the lamp.*

To replace the lamp:

1. Disconnect the heater from the power supply.
2. Be sure the heater has been unplugged for at least one hour to cool down completely.
3. Loosen and remove the two frame screws. Remove the frame.
4. Loosen and remove the four screws from the side reflectors. Remove the side reflectors.
5. To remove the lamp, expand the locking spring on each end and slide it out.
6. Carefully slide the silicone gasket away from the lamp on each end.
7. Disconnect the lamp wires from the terminals at each end.
8. Insert the new lamp. Connect the wires, replace the silicone gaskets and fit into the locking springs, taking care not to touch the lamp with bare hands.
9. Replace the reflectors, frame and corresponding screws.

Schaefer Ventilation Equipment, LLC. warrants to the original purchaser that our products which prove to be defective in material or workmanship within one year (unless otherwise specified) from date of purchase will be repaired or replaced at the option of Schaefer Ventilation Equipment, LLC. F.O.B. Sauk Rapids, Minnesota.

What is Not Covered By The Warranty

The warranty does not cover:

- (1) Installations not made in accordance with installation instructions;
- (2) Where the operation of the product varies substantially from our operating instructions;
- (3) Malfunctions resulting from misuse, negligence, alteration, accident or lack of performance of required maintenance;
- (4) Loss of time, inconvenience, loss of use of the product, or other consequential damages;
- (5) Removal of any manufacturer nameplate.

The above constitutes our sole warranty.

THERE IS NO WARRANTY OF MERCHANTABILITY AND THERE ARE NO WARRANTIES WHICH EXTEND BEYOND THE DESCRIPTION OF THE FACE HEREOF.

Products with warranty periods that exceed our standard one-year warranty are listed below. These products are subject to all other provisions as stated in The Schaefer Warranty.

25 Years	Poly Housings.
15 Years	Fiberglass Housings.
10 Years	HotZone® IRLens™ Ceramic Emitters for Gas Units.
5 Years	Schaefer GQ Tube Heater Combustion and Heat Exchanger Tubes.
2 Years	Certain Manual, Variable Speed Controls and PC Compatible Controls.
2 Years	Schaefer GQ Tube Heater Burner Controls.
1 Year	Schaefer K-Series, 2-Stage, Compact Heater and the Stainless Steel Tube Heaters, Tansun* and Zubri Heaters.

Products with warranty periods less than the stated one-year warranty are listed below. These products are subject to all other provisions as stated in The Schaefer Warranty.

120 Days	HotZone® IRLens™ Elements for Electric Units.
180 Days	*Tansun Heater Lamp/Bulb.
180 Days	AWC-1500 Lamp.



SCHAEFER
Ventilation Equipment

"Quality and Innovation since 1951"

800-779-3267

www.schaeferfan.com