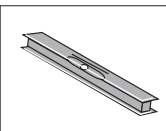
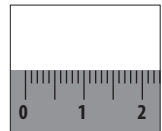
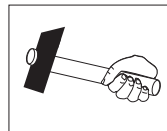
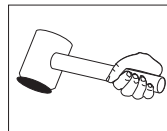
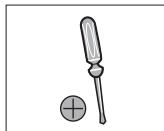
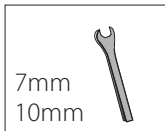
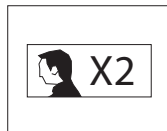
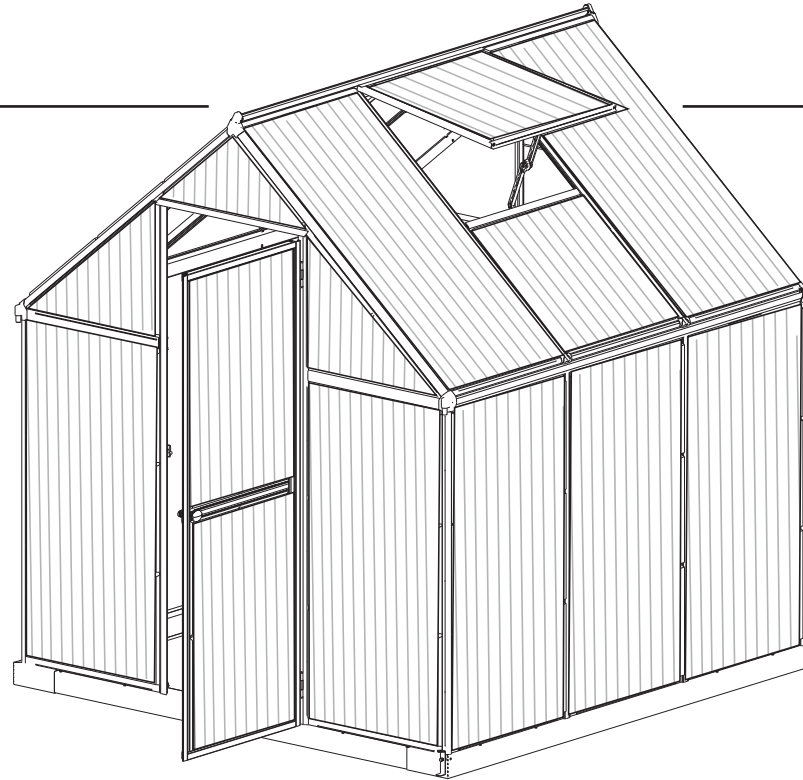


ASSEMBLY INSTRUCTIONS

Nature 6'x6' Multi Wall Glazing

184x185x209cm / 72¹/₂"x72³/₄"x82¹/₄"



IMPORTANT

Please read these instructions carefully before you start to assemble this greenhouse.
Keep these instructions in a safe place for future reference.

► Customer Service

For assistance with assembly or for replacement parts – please log onto our website or call our service line (number is on the title page).

www.palramapplications.com

Additional information can be found at our website:

www.palramapplications.com

► Safety Advice

- It is of utmost importance to assemble all of the parts according to the directions. Do not skip any step.
- We strongly recommend using work gloves during assembly.
- Always wear shoes and safety goggles when working with extruded aluminium.
- If using a step ladder or power tools ensure that you follow the manufacturer's safety advice.
- Do not touch overhead power cables with the aluminium profiles.
- Do not attempt to assemble the greenhouse in windy or wet conditions.
- Dispose of all plastic bags safely keep them out of reach of small children.
- Keep children away from the assembly area.
- Do not lean against or push the greenhouse during construction.

- Do not position your greenhouse in an area exposed to excessive wind.
- Do not attempt to assemble this greenhouse if you are tired, have taken drugs or alcohol or if you are prone to dizzy spell.
- Hot items such as recently used grills, blowtorches etc. must not be stored in the greenhouse. Ensure there are no hidden pipes or cables in the ground before inserting the pegs.
- This product is designed to use as greenhouse only.

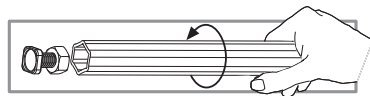
► Care & Maintenance

When your greenhouse needs to be cleaned, use a mild detergent solution and rinse with cold clean water. DO NOT use acetone, abrasive cleaners or other special detergents to clean the clear panels.

It is recommended to check periodically that roof panels' caps (plastic part 329 & profile 981) are set in place.

► Tools & Equipment

- Tape measure
- Work gloves
- Lubricant
- Phillips head screwdriver
- Step ladder
- Drill bit
- Large hammer
- Spanner
- **T001** - Special tool for Screws 411 and nuts 412



► Before Assembly

This is a multi-part assembly best achieved by two people. Allow at least half a day for assembly process.

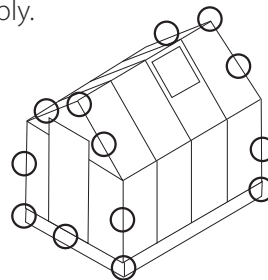
Selecting a site - the greenhouse must be **assembled**, positioned and fixed on a flat level surface.

Choose a sunny position away from overhanging trees.

We are strongly recommend to fix your greenhouse directly to a solid concrete foundation. When doing that use the pre drilled holes in the metal base supplied.

Take out all components parts of the packages. Sort the parts and check against the contents parts list. During assembly parts should be laid out close at hand. Keep all small parts (screws etc.) in a bowl so they do not get lost.

In purpose to facilitate parts' identification and assembly process, all-positioned profiles are used in this greenhouse. As a result some apertures in the profiles are not used during assembly.



► During Assembly

Carry out the assembly steps in the order set out in the instructions.

Step 1: Make sure the base is square by measuring the diagonals and level by using a spirit level.

Step 4: Part A994 + A995 are for the back of the greenhouse. Once in place, you have determined the back or front of your greenhouse.

Steps 7, 10, 13: The oval hole in the crossbars A256 should always be assembled to the base of the greenhouse.

Door assembly (Steps 8, 44-50)

Door can be installed as a left hand door or right hand door to your decision. These instructions show a right hand door assembly.

Step 8: determines door direction **door post 987** is where door hinges will be located.

Steps 44-50: Door assembly should be done according to this decision.

Steps 31-32: Decide on the window's location before assembly. Window can be installed in one of the indicated options.

Step 51: If a left door is assembled, door stopper parts should be connected to the front left handed corner of the base and not to the corner that is shown in the illustration

Step 52: Firmly connect the greenhouse to a level final position immediately after completion of the assembly.

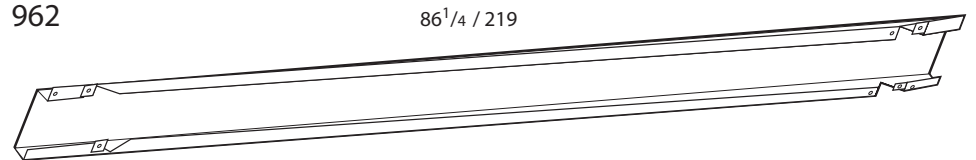
Screws 411 and nuts 412 are used throughout the assembly process.

- Screws 411 are to be assembled from the outside and nuts 412 from the inside of the greenhouse.
- Do not fasten screws and nuts (411 & 412) more than 2-3 turns only. Do not tighten them until completion of the panels' assembly, if not specified otherwise.
- However, in some steps, temporary tightening of a few screws may be needed to prevent a profile from falling till it will be fully connected in the next steps.

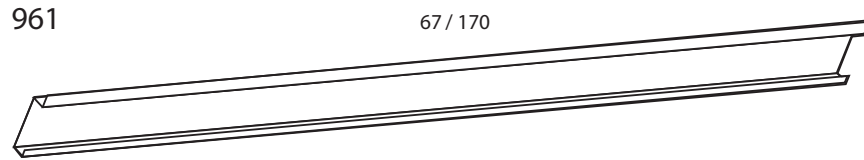


Contents

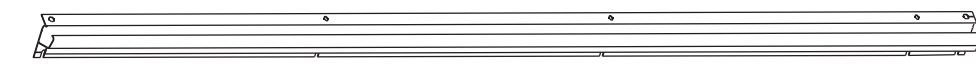
Item	Inc./cm	Qty.
962	86 ¹ / ₄ / 219	2



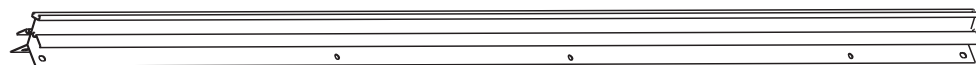
961	67 / 170	2
-----	----------	---




972	70 ¹ / ₂ / 179	2
-----	--------------------------------------	---



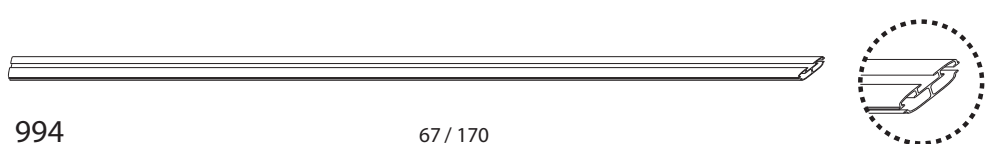
973	70 ¹ / ₂ / 179	1
-----	--------------------------------------	---




287	70 / 178	1
-----	----------	---



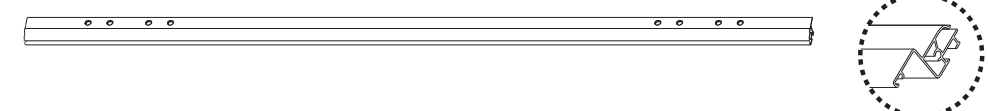
Item	Inc./cm	Qty.
994	67 / 170	1




995	67 / 170	1
-----	----------	---



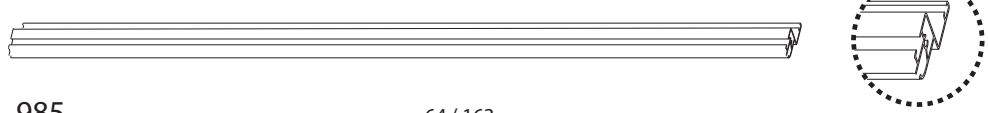
987	65 / 165	1
-----	----------	---



988	65 / 165	1
-----	----------	---



985	64 / 163	2
-----	----------	---



Contents

Item	Inc./cm	Qty.
256	50 ³ / ₄ / 129	8

993	46 / 117	8
-----	----------	---

996	46 / 117	8
-----	----------	---

3017	22 ³ / ₄ / 53	2
3016	64 / 163	1

Item	Qty.
585	1

586	2
-----	---

584	2
583	2

581	16
-----	----

588	1
-----	---

582	2
-----	---

Item	Inc./cm	Qty.
989	24 ¹ / ₄ / 61.5	1

991	24 ¹ / ₄ / 61.5	1
-----	---------------------------------------	---

992	22 ³ / ₄ / 58	2
-----	-------------------------------------	---

984	21 ¹ / ₂ / 55	2
-----	-------------------------------------	---

981	22 / 56	6
-----	---------	---

Item	Inc./cm	Qty.
286	24 / 61	2

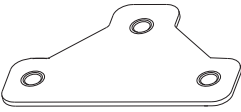

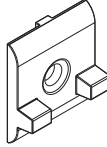
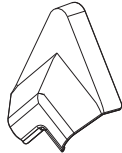



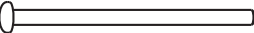

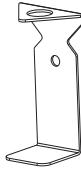


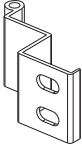
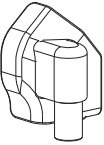

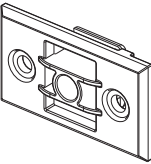
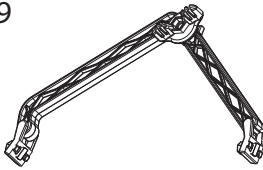
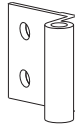
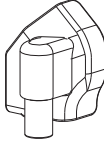

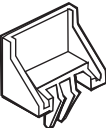


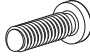



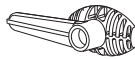


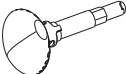
999	22 / 56	5
-----	---------	---

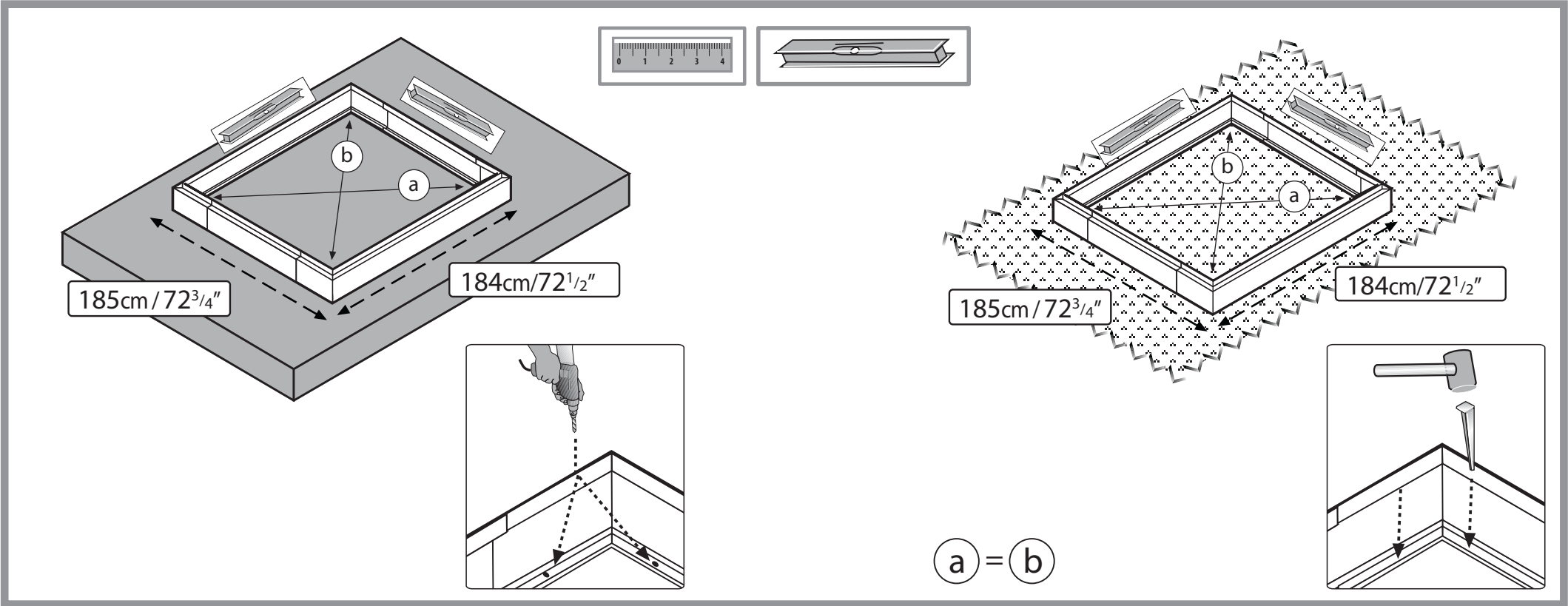
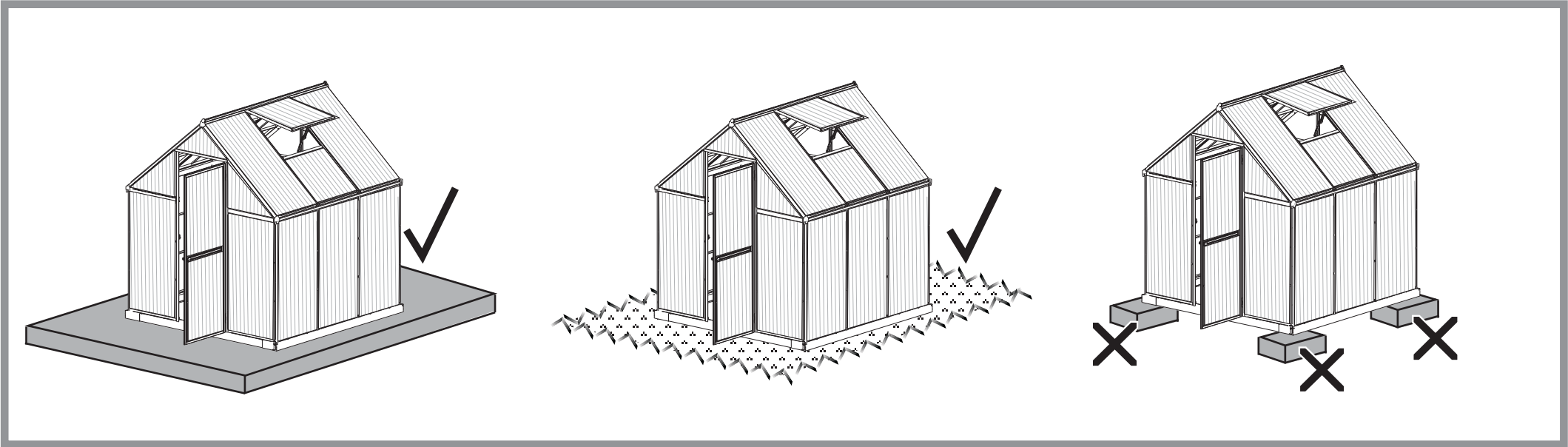
986	24 ³ / ₄ / 63	1
-----	-------------------------------------	---

983	18 ¹ / ₂ / 47	1
-----	-------------------------------------	---

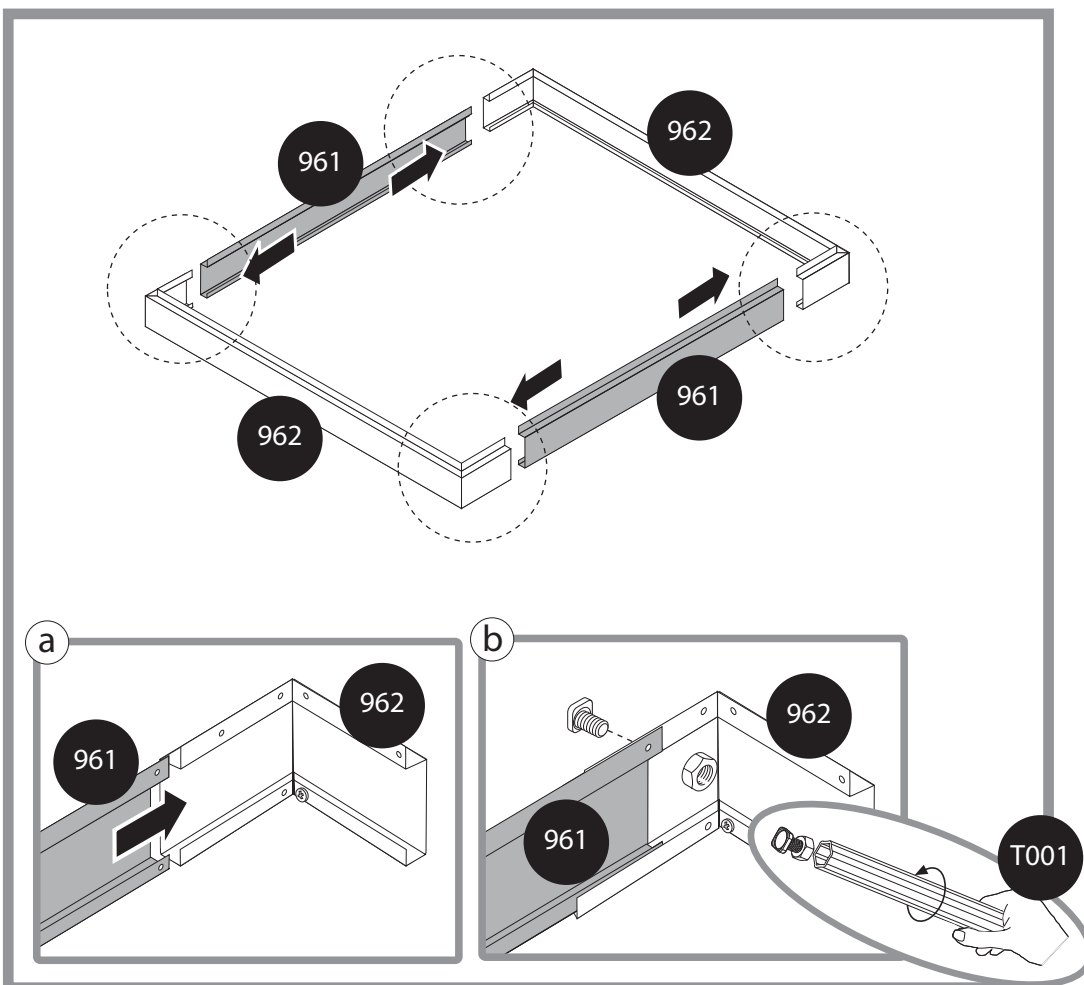
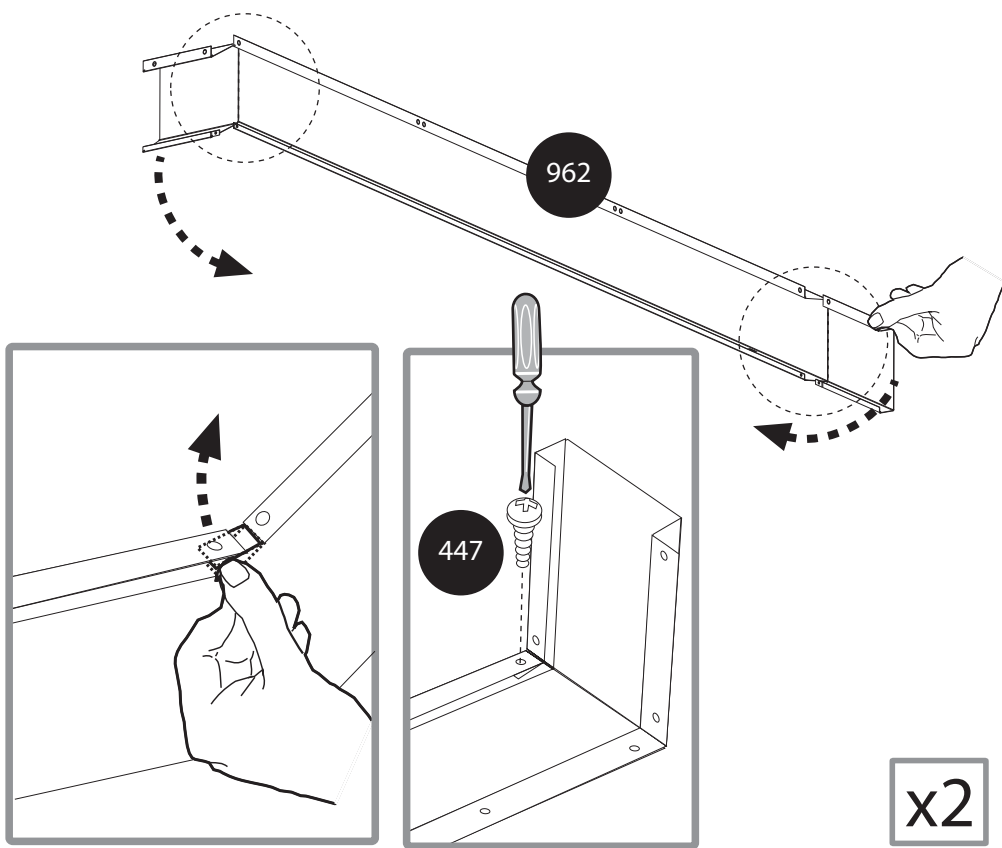
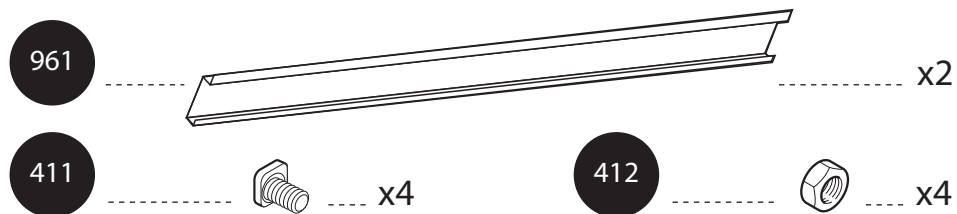
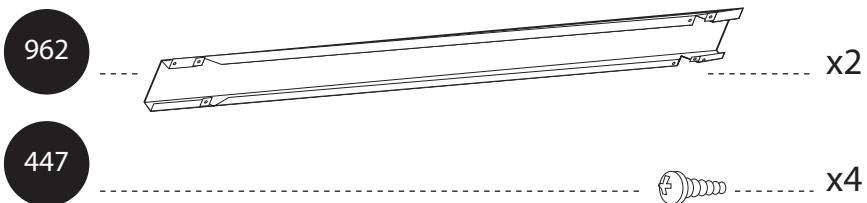
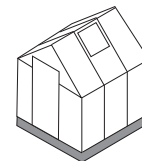
990	22 / 56	1
-----	---------	---

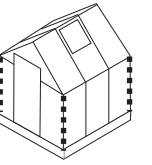
Contents

Item	Qty.	Item	Qty.	Item	Qty.	Item	Qty.	Item	Qty.
	3		102 4 spare		1		2		12 1 spare
	9 1 spare		102 4 spare		2		4		1
	9 1 spare		1		2		2		1
	1		1		4		2		1
	23 1 spare		2		9 1 spare		1		1
	4		3 1 spare		1		9 1 spare		5 1 spare
					1				



1





996



x4

412

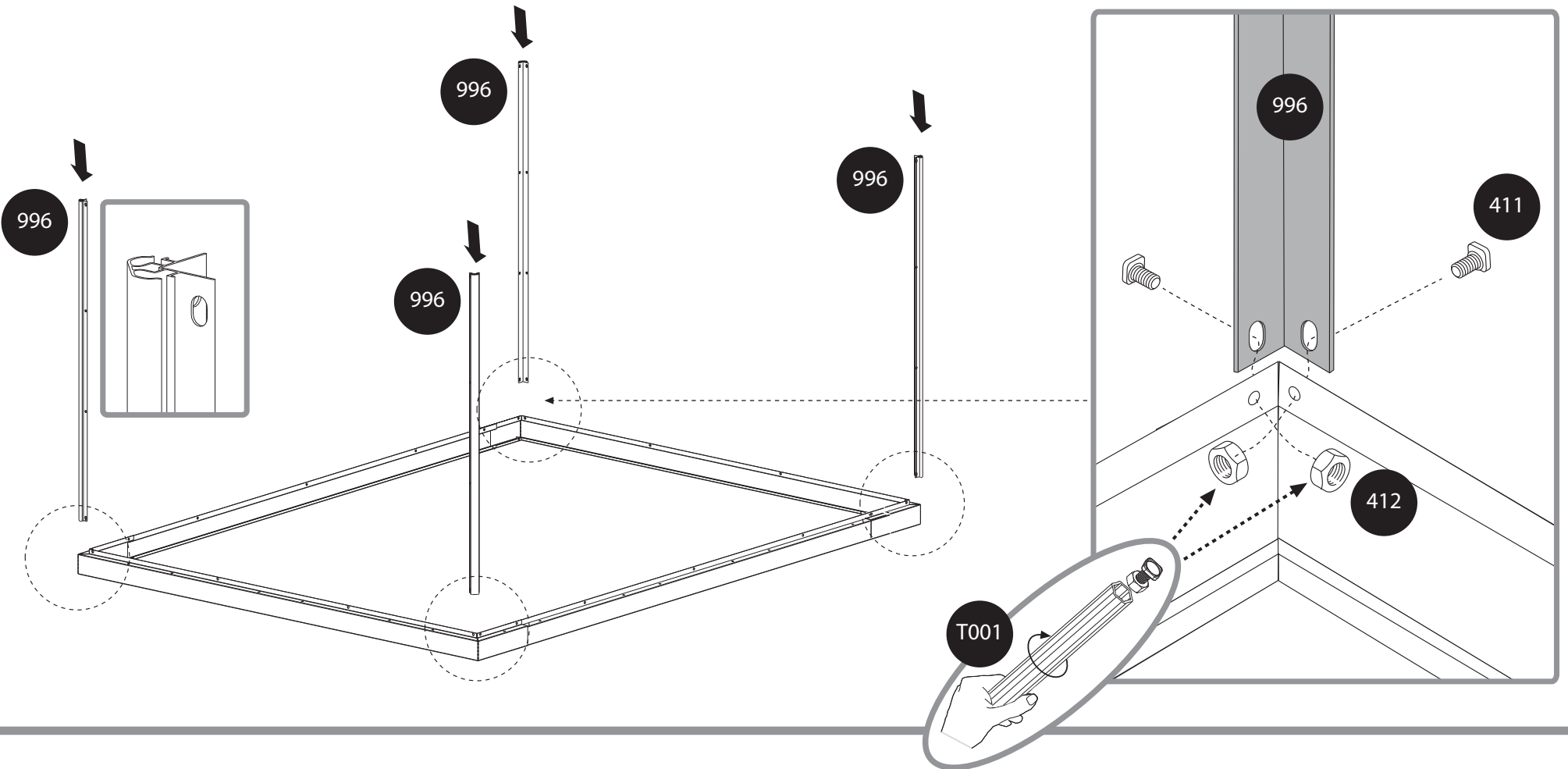


x8

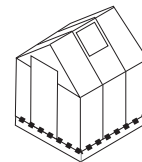
411



x8

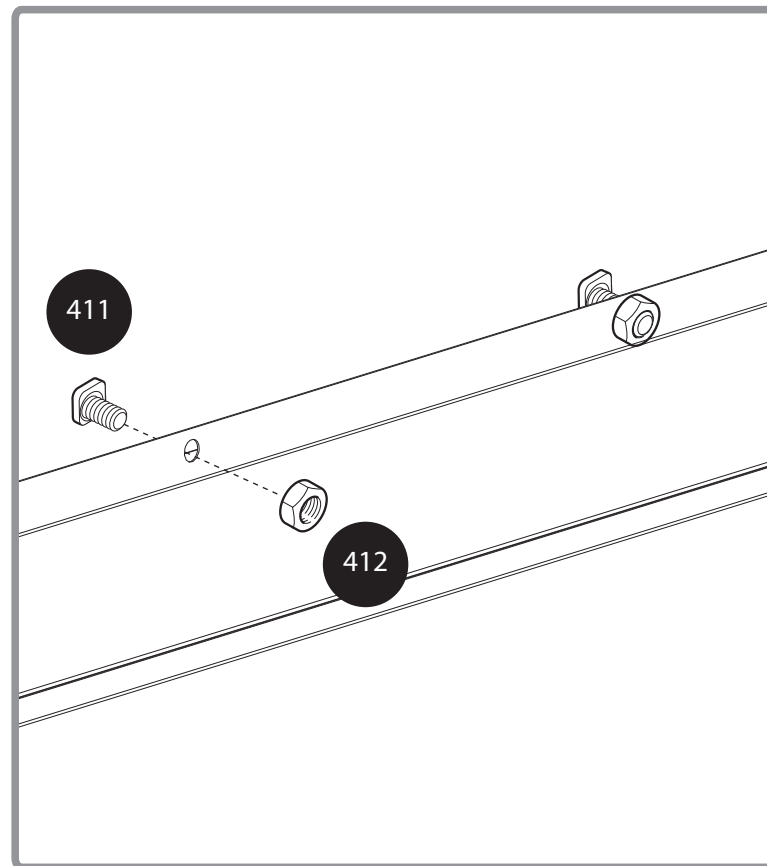
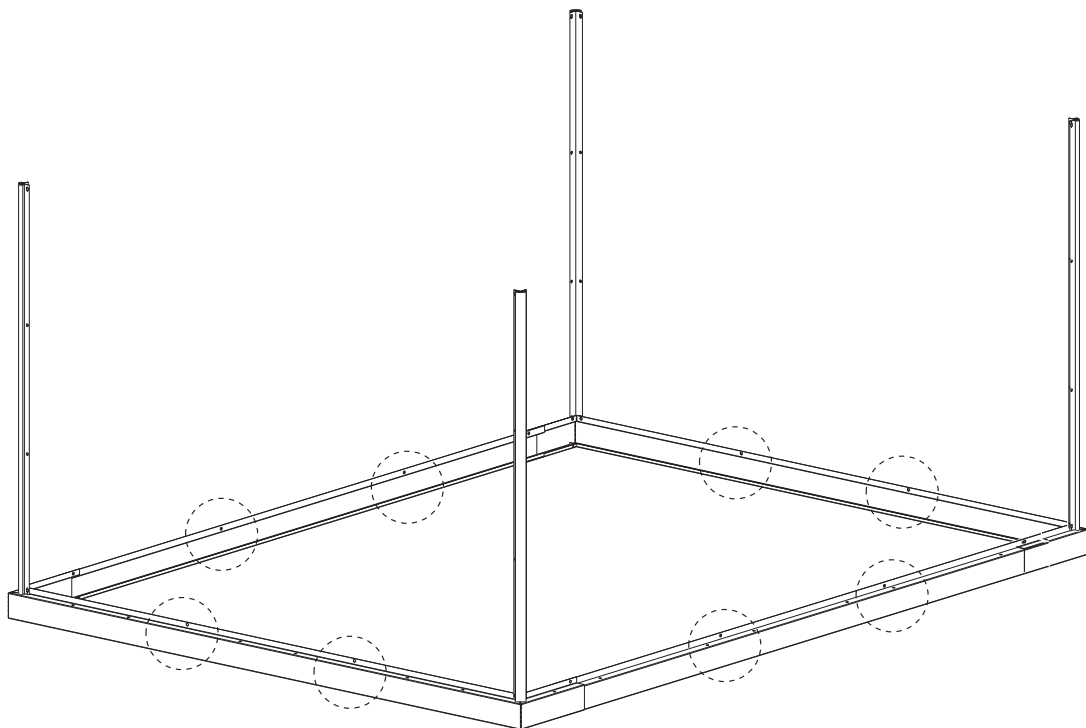


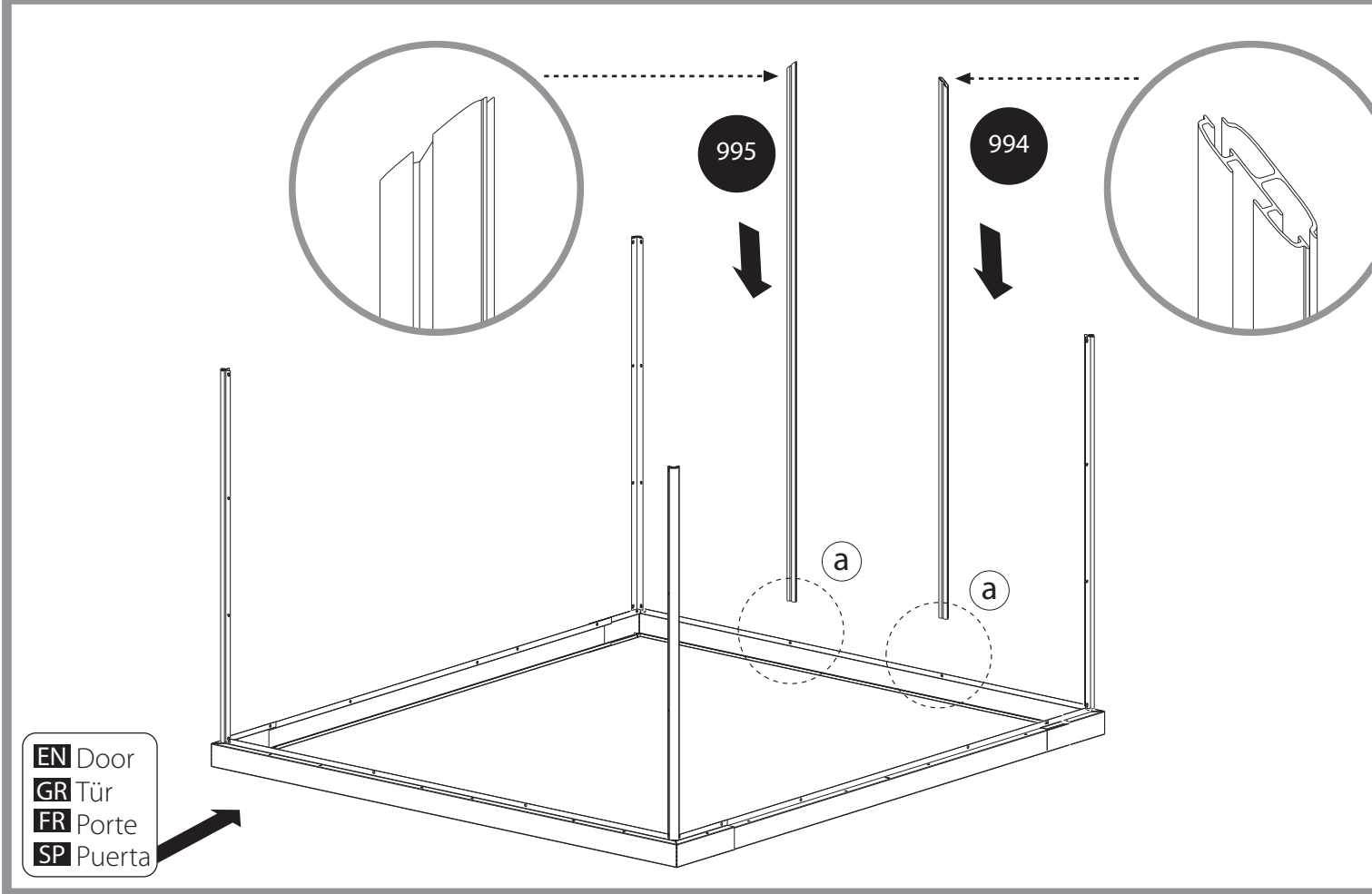
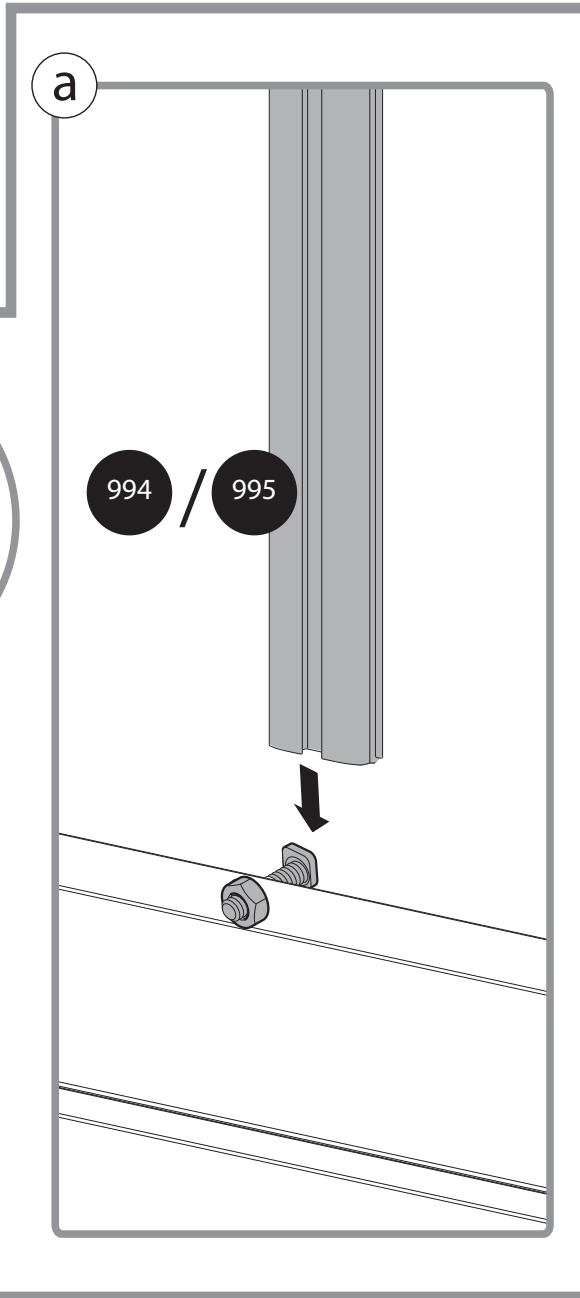
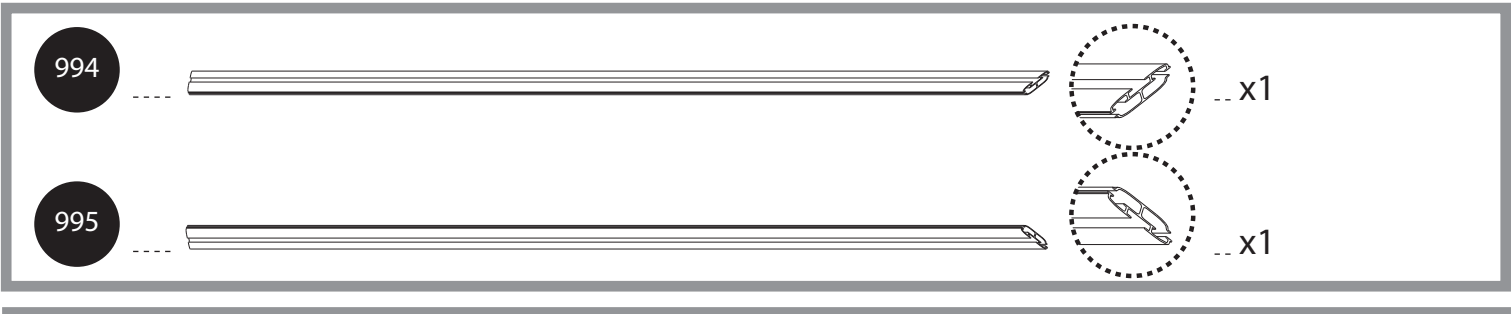
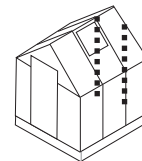
3



412  x8

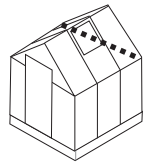
411  x8



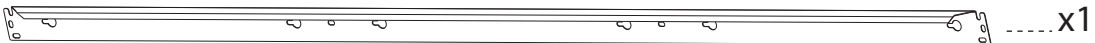


- EN** Door
- GR** Tür
- FR** Porte
- SP** Puerta

5



287



412

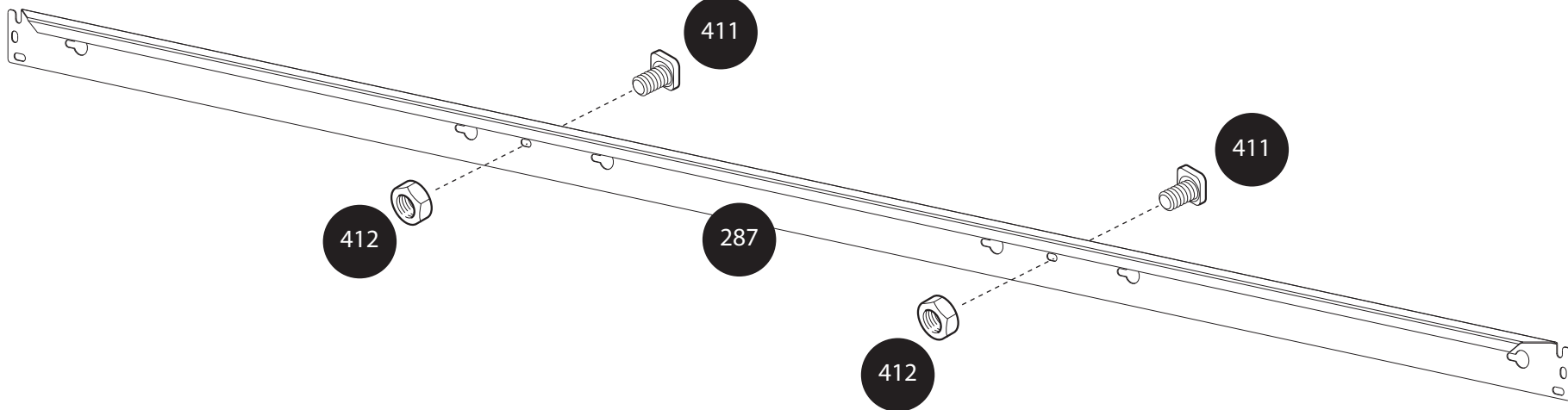


x2

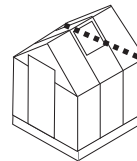
411



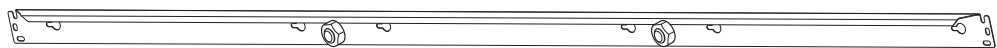
x2



6



287

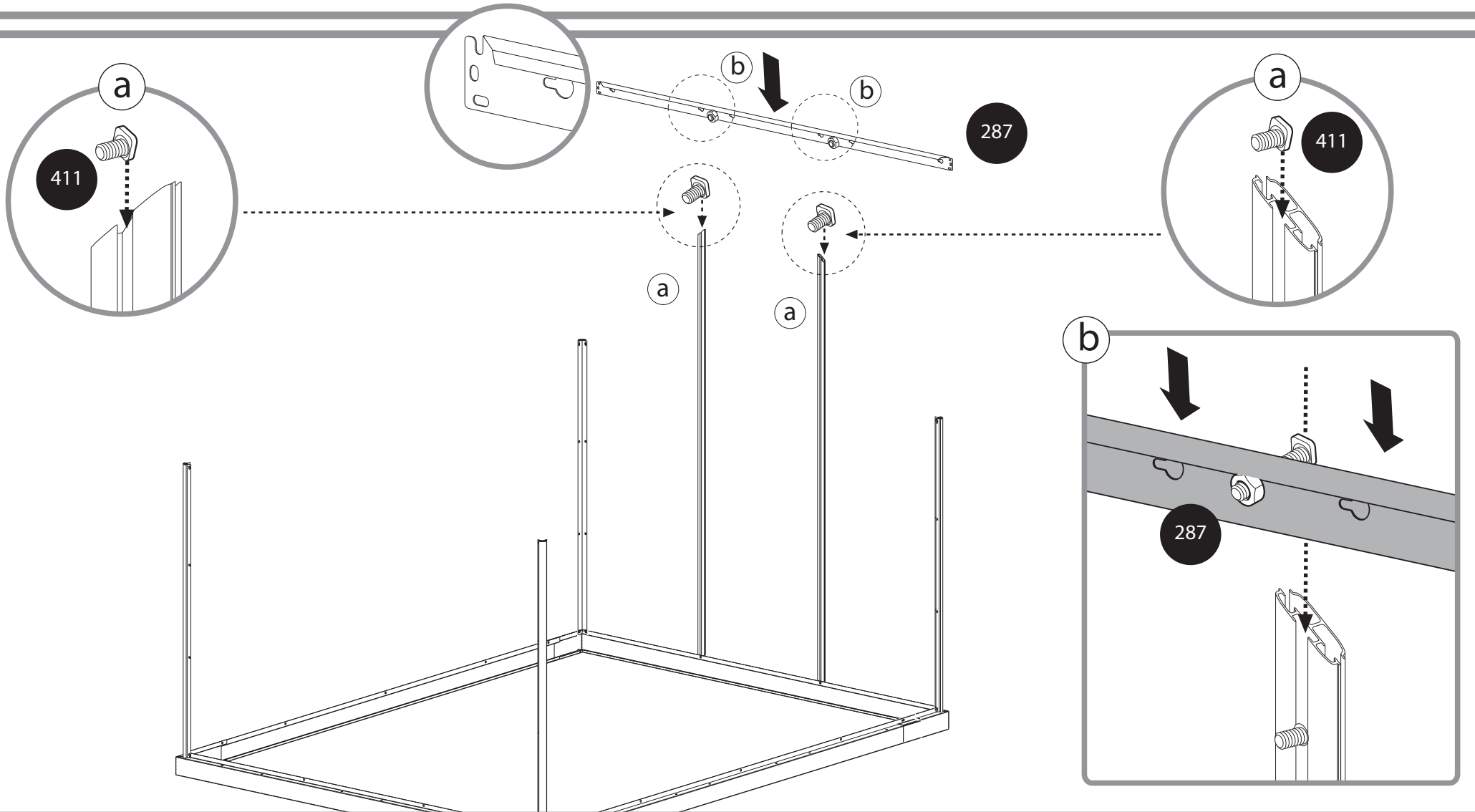


x1

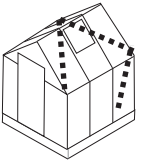
411



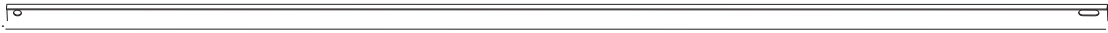
x2



7



256



x2

412

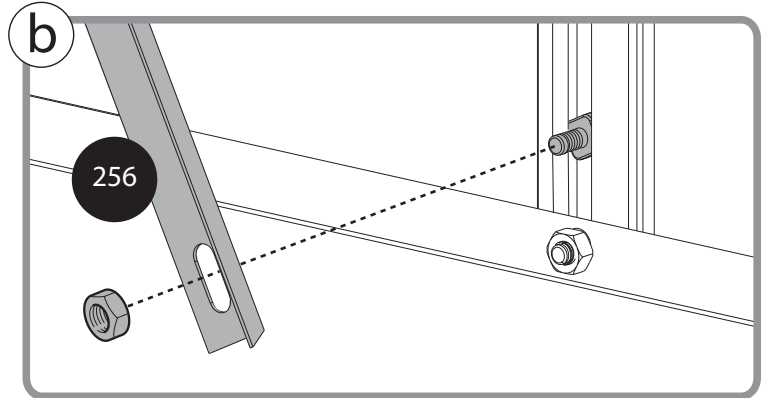
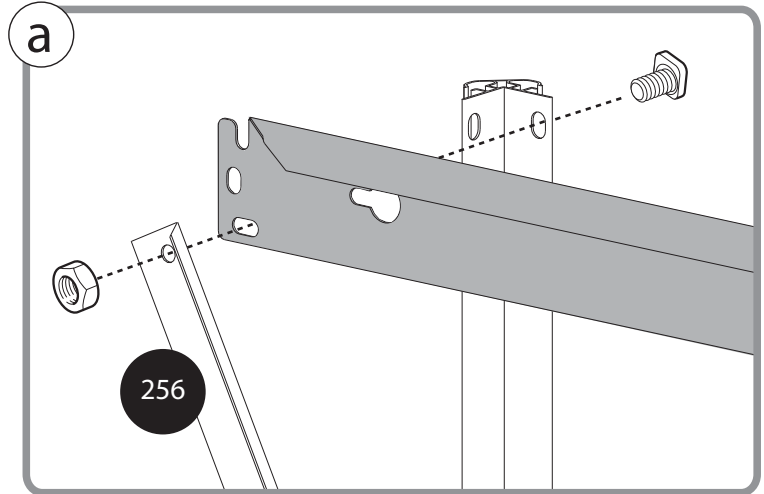
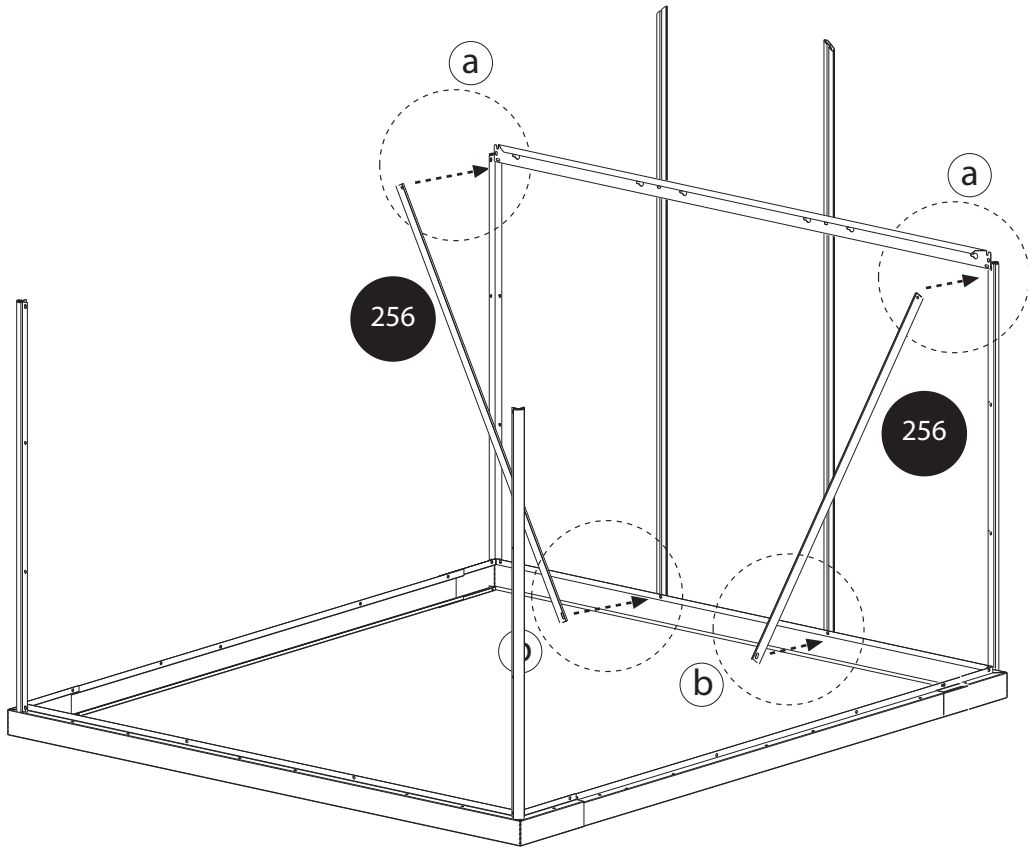


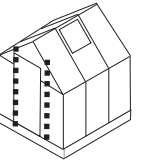
x4

411

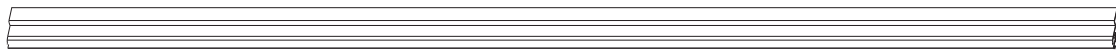


x2



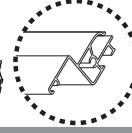
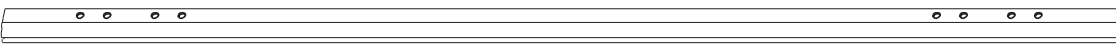


988

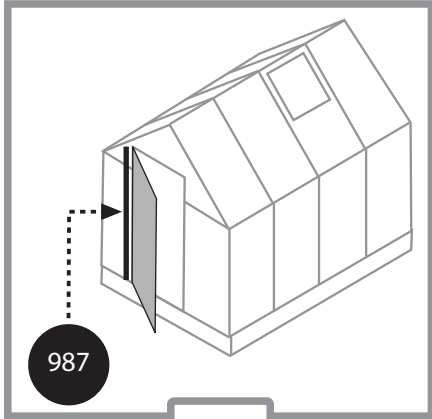


x1

987

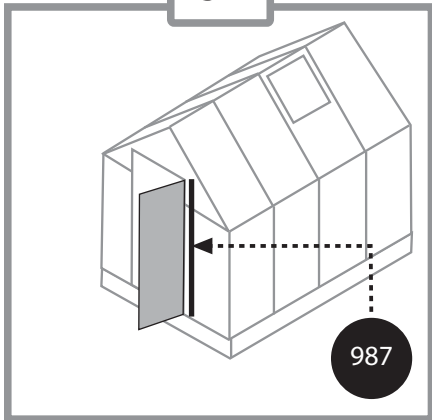


x1

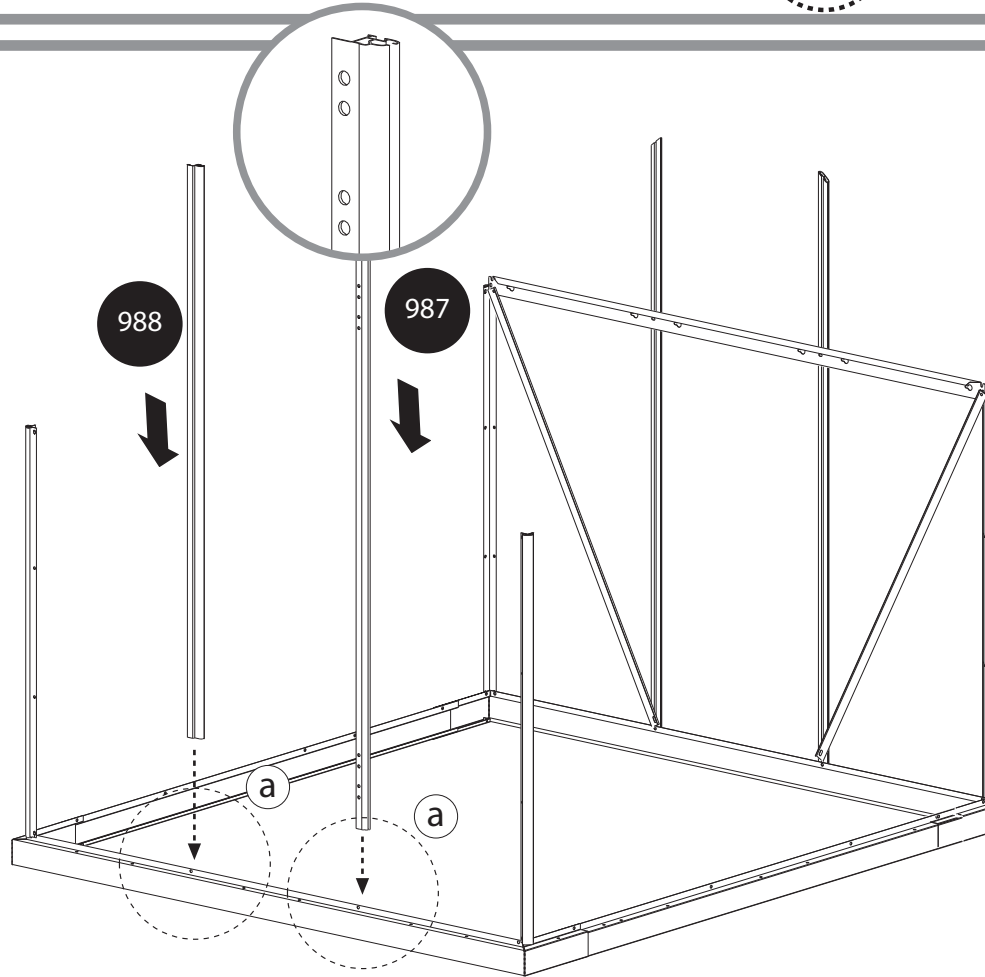


987

or



987

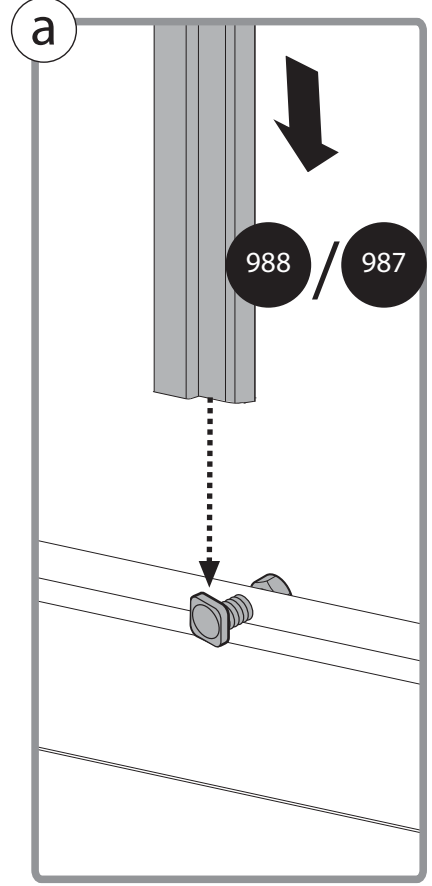


988

987

a

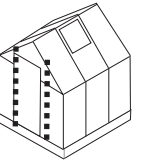
a



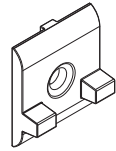
a

988

987



345



x1

411



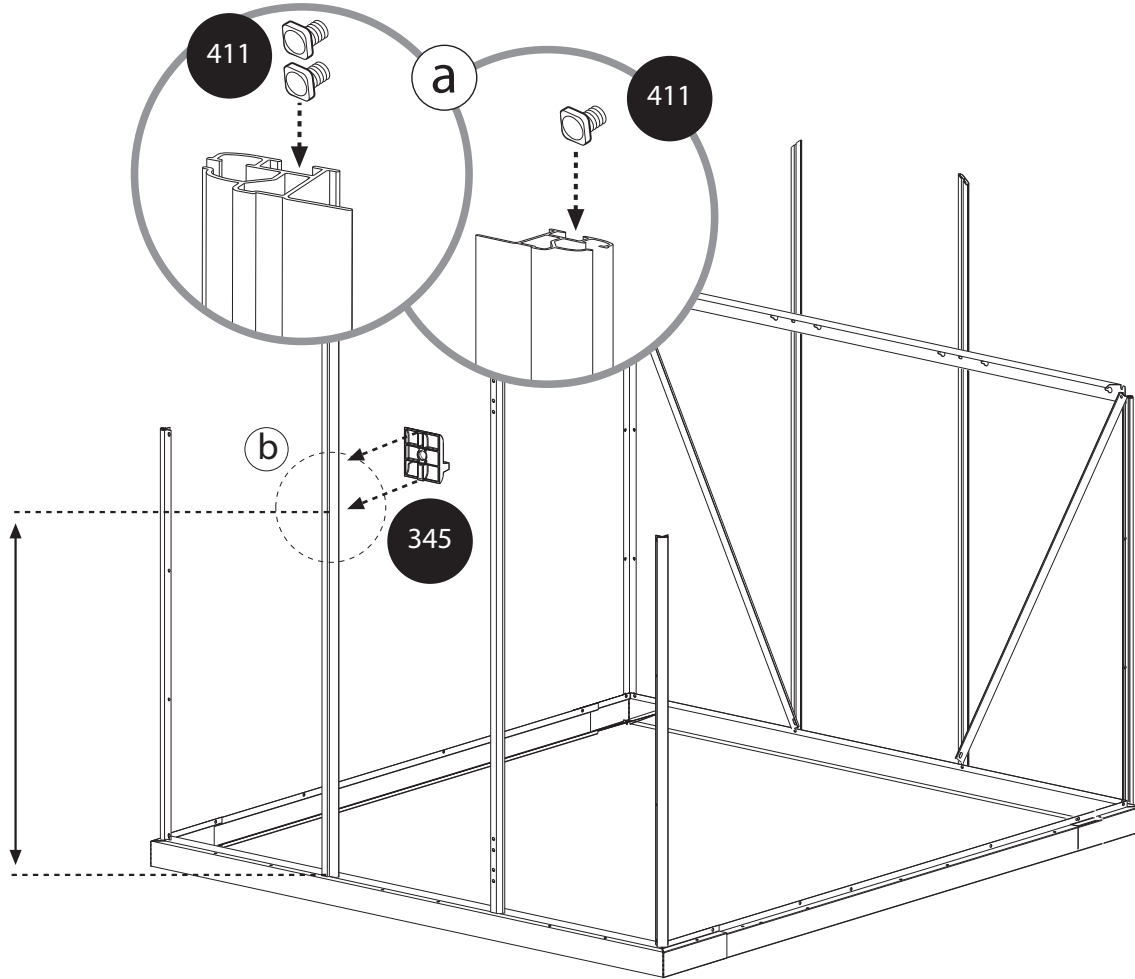
x3

412

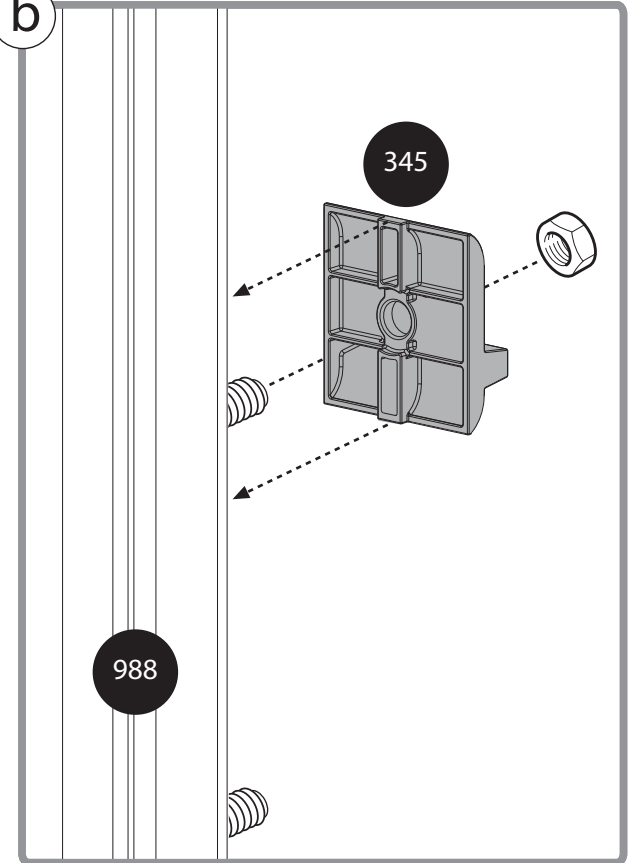


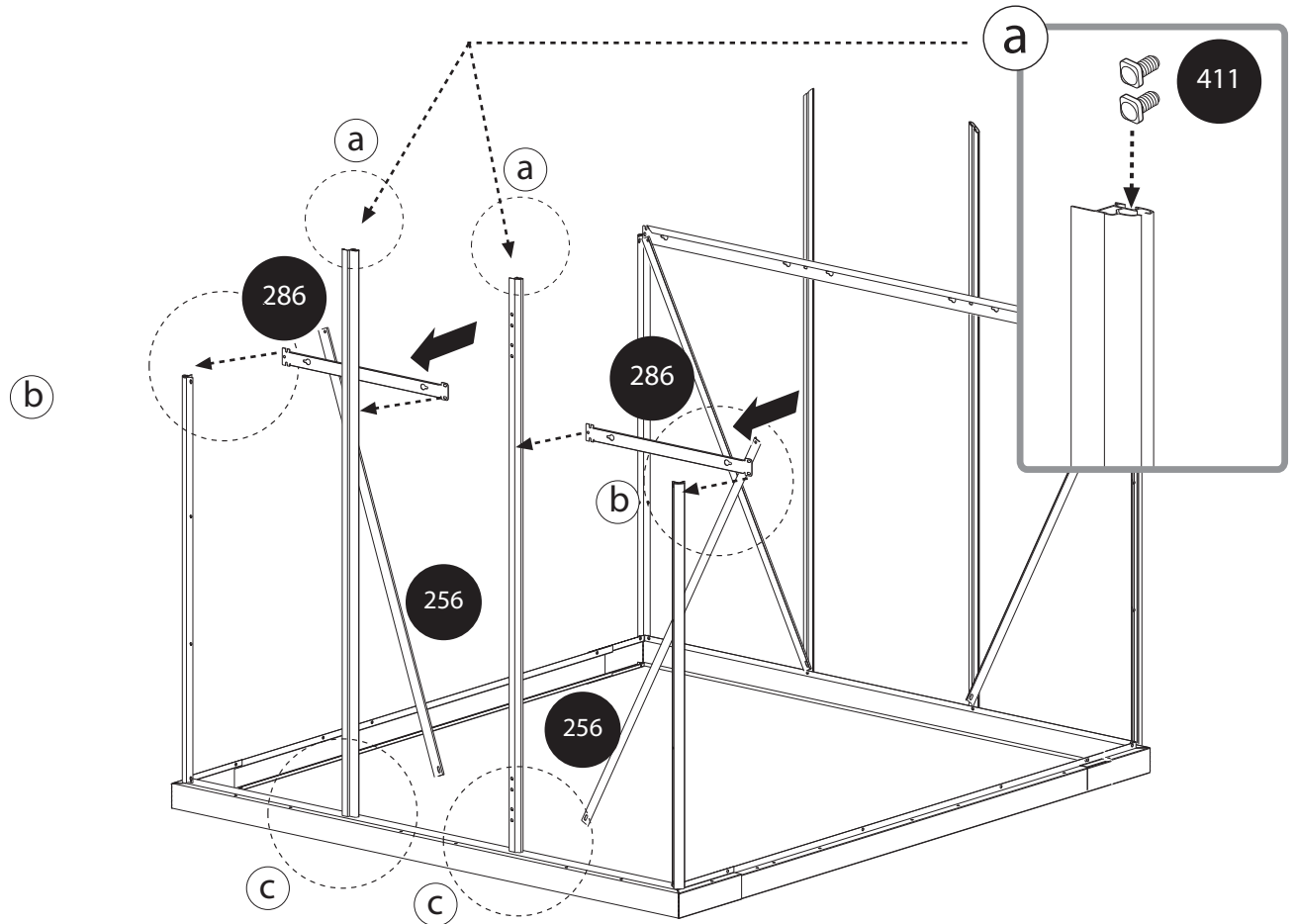
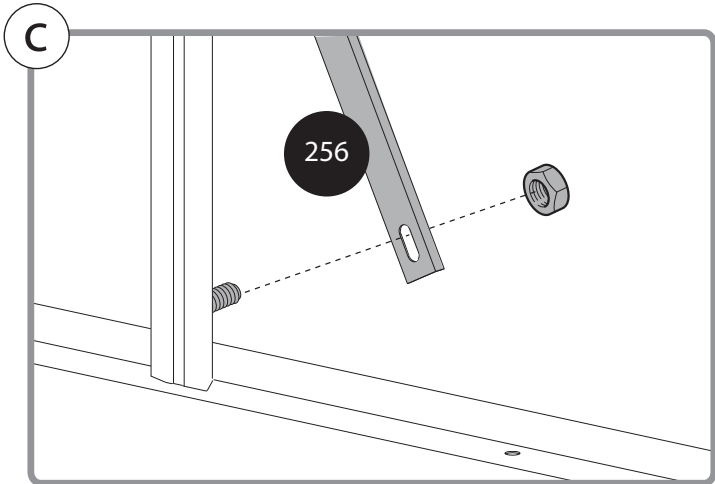
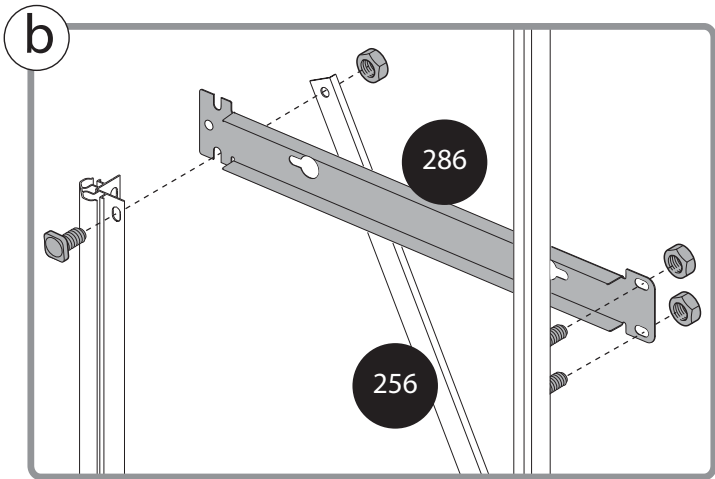
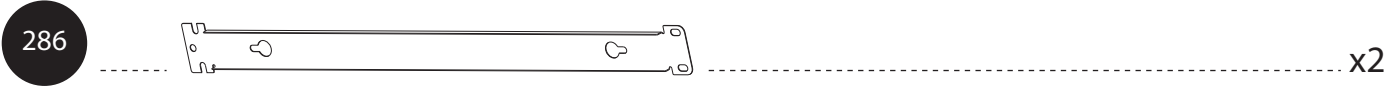
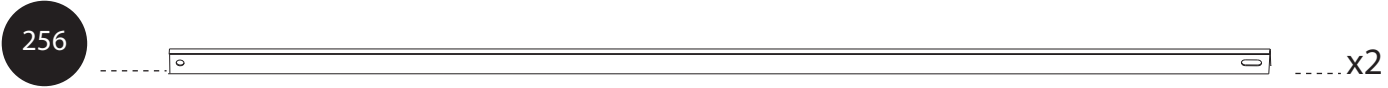
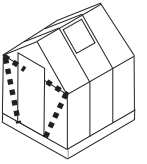
x1

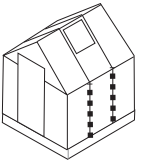
84cm
33"



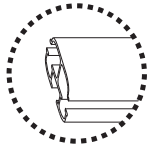
b





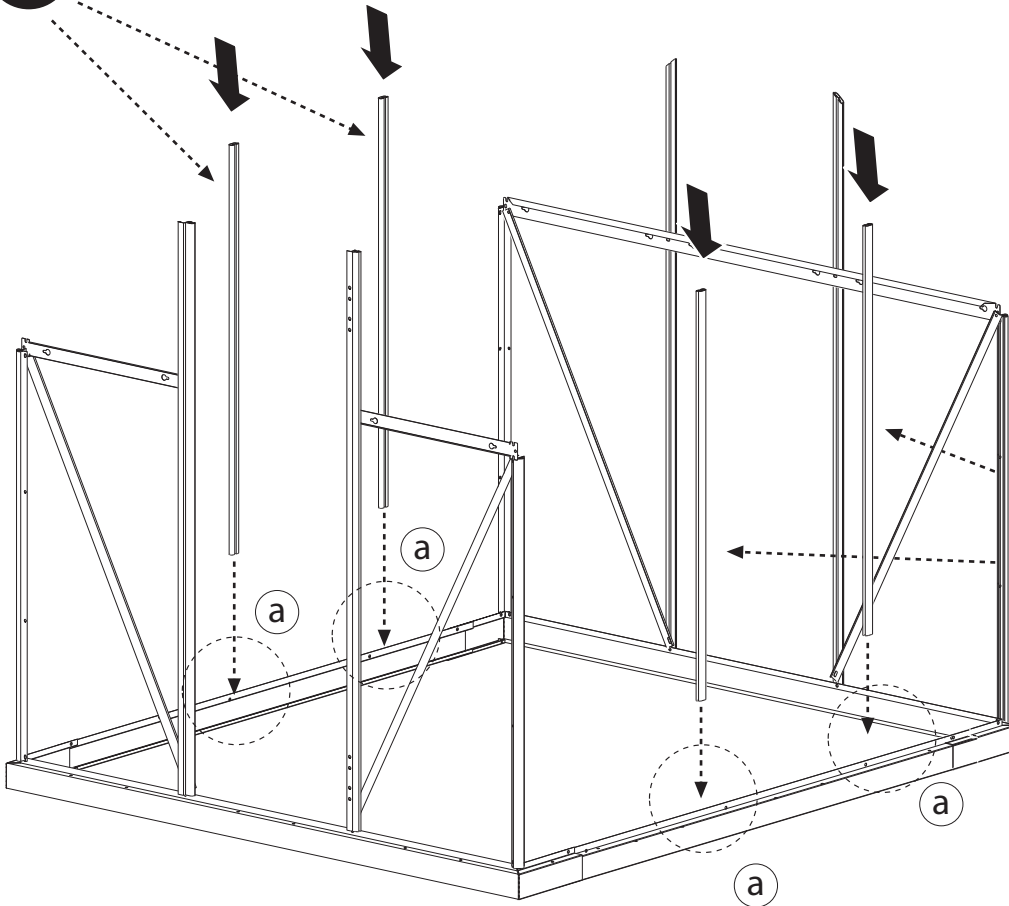


993

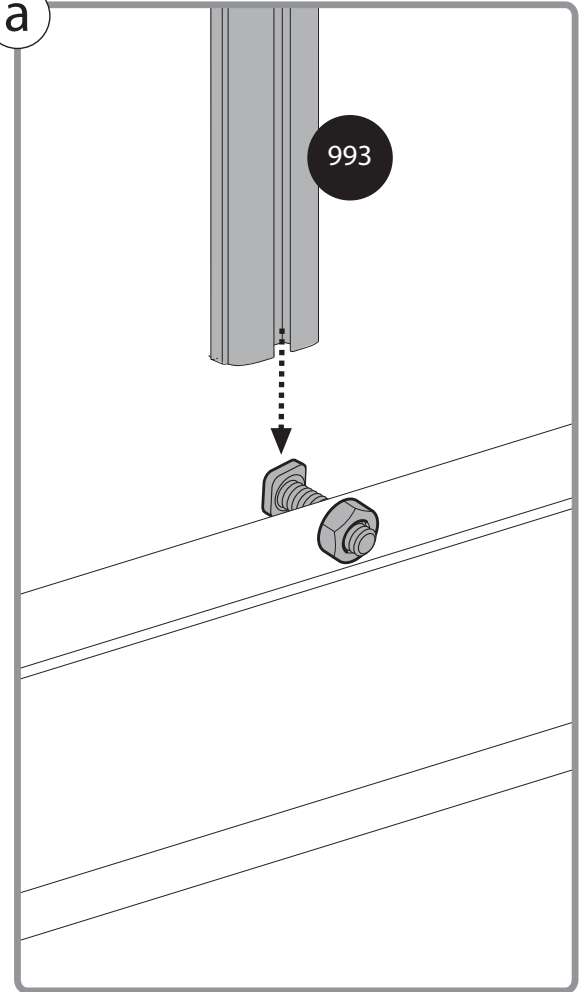


.....x4

993

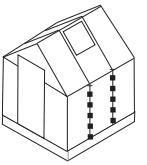


a



993

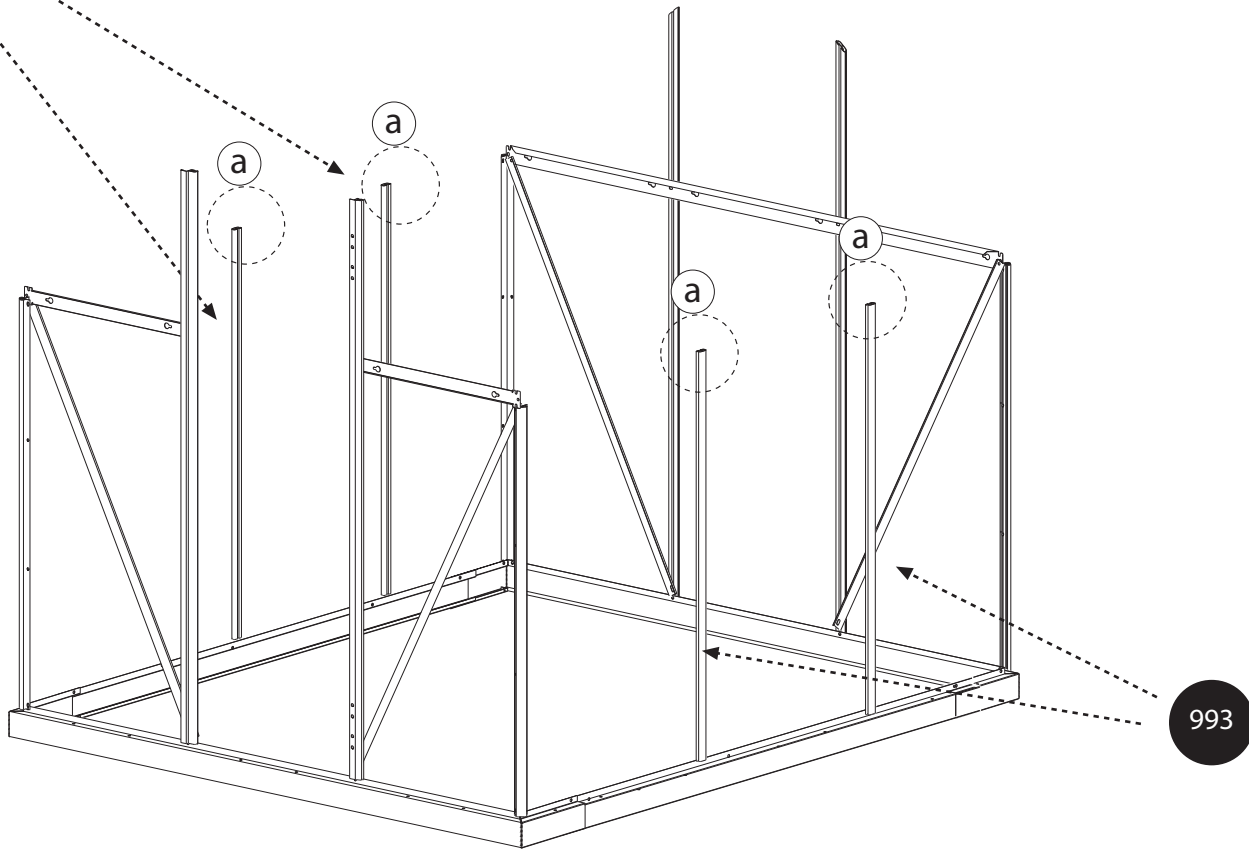
993



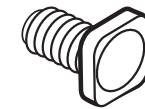
411



993



a



411

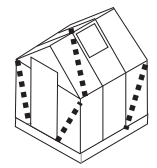
993


993

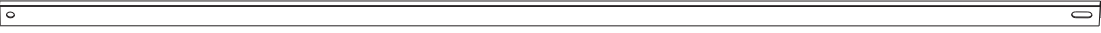


412 

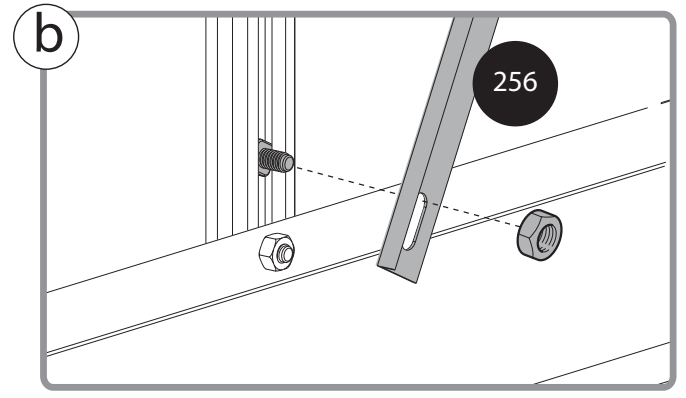
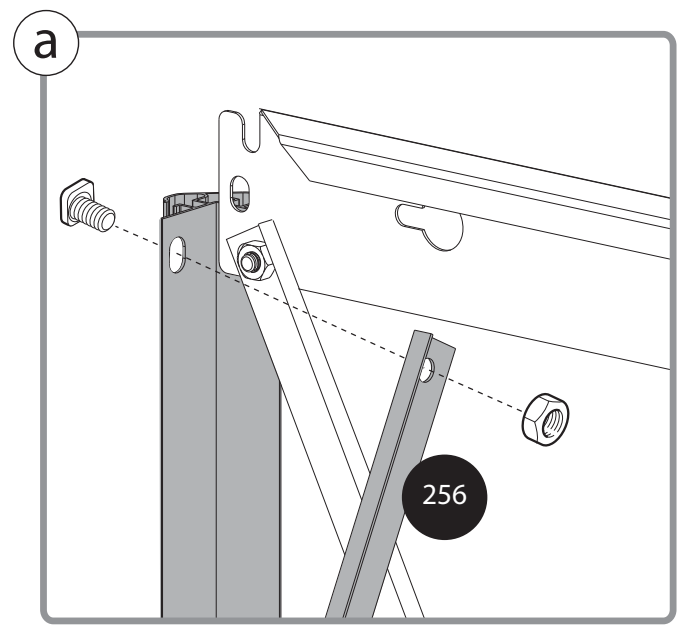
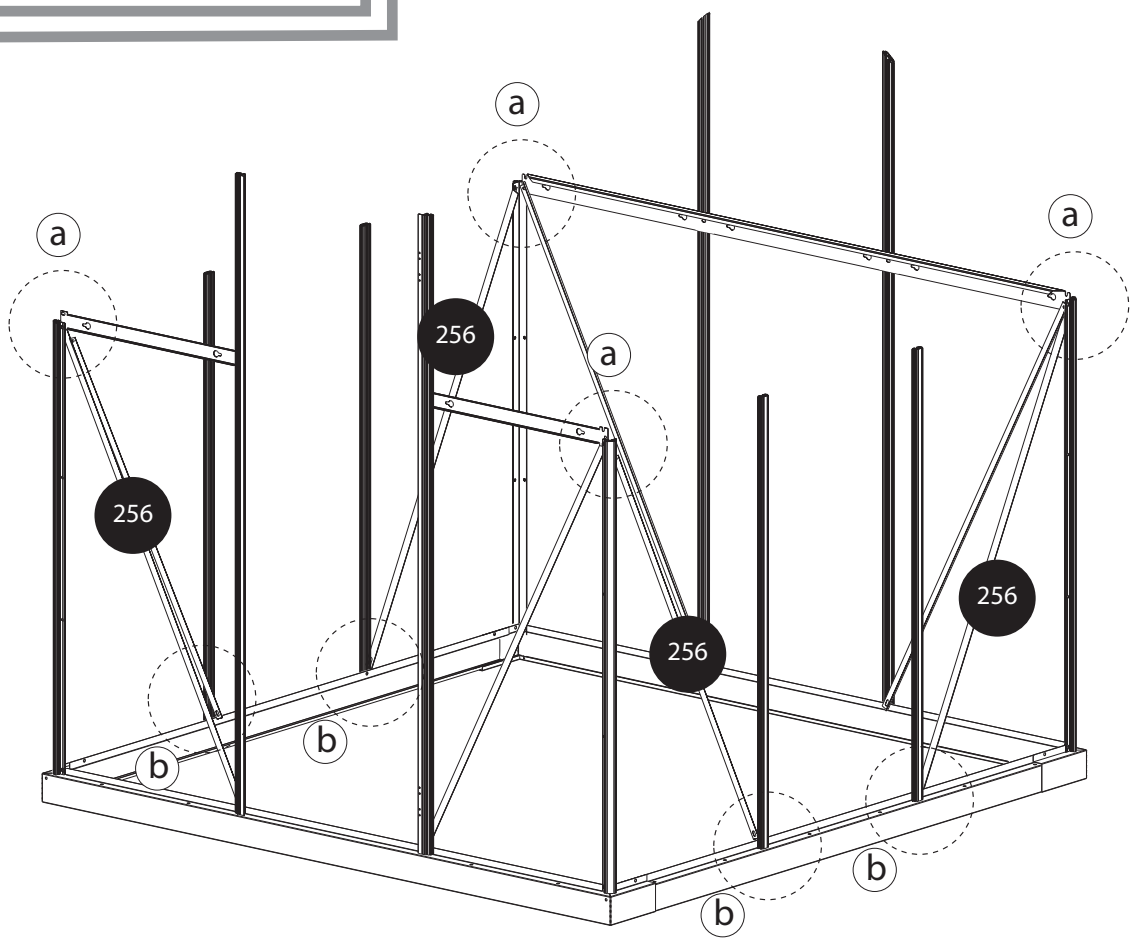
411 

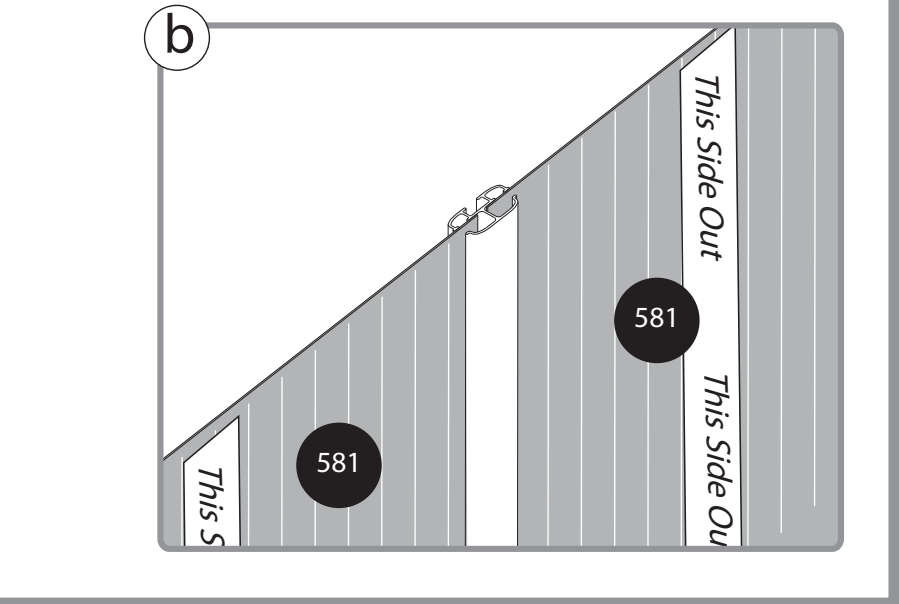
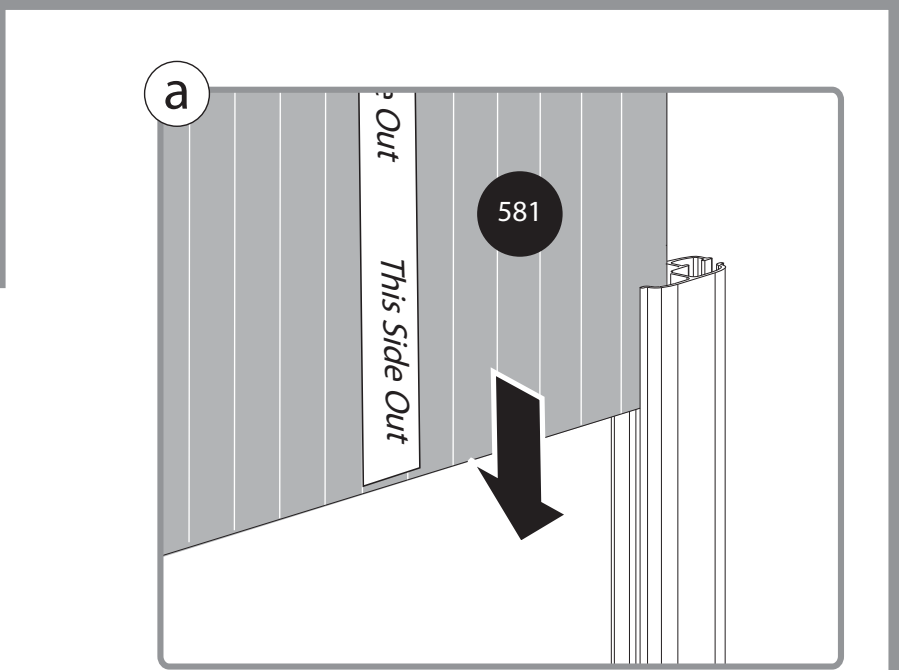
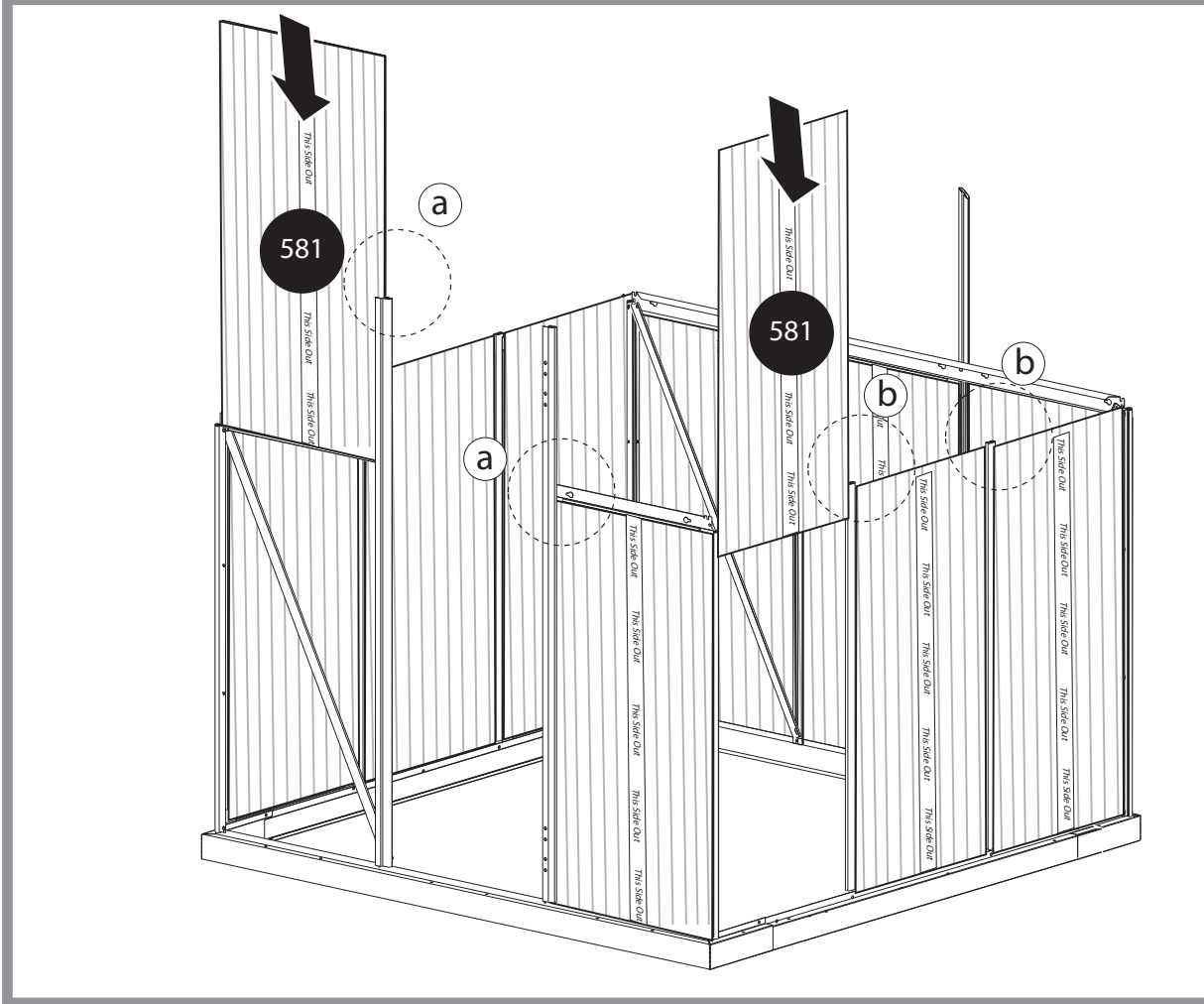
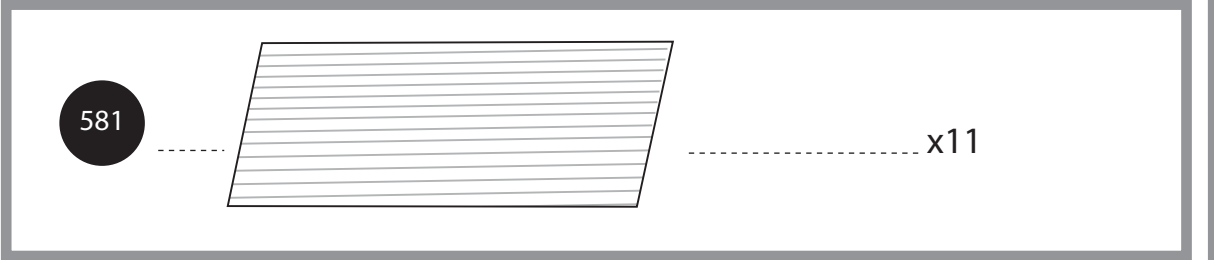
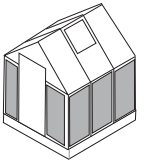


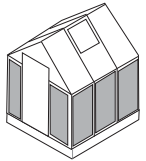
411  x4

256  x4

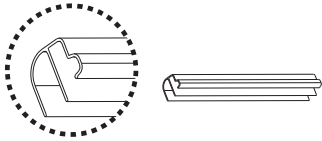
412  x8



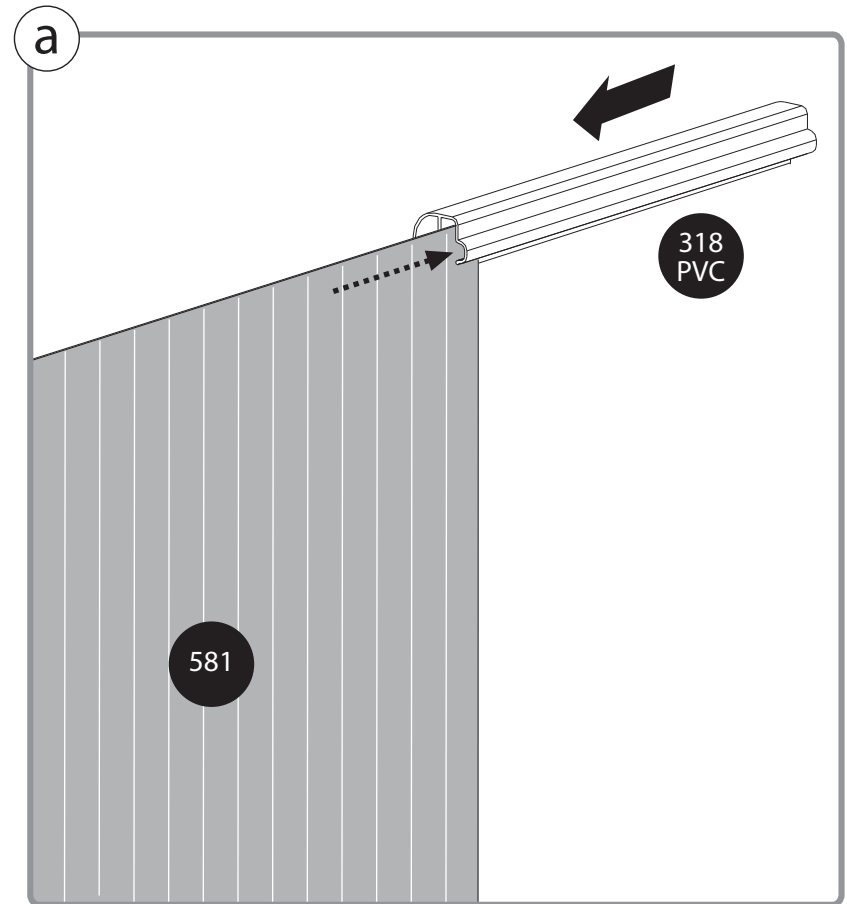
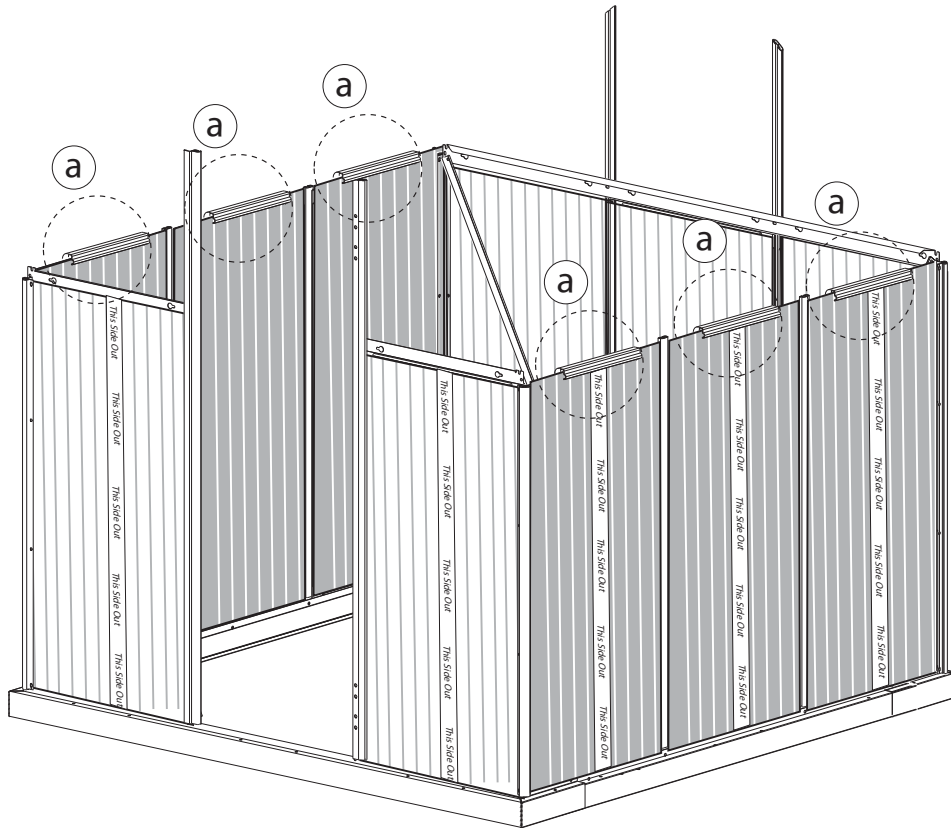


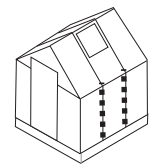


318
PVC



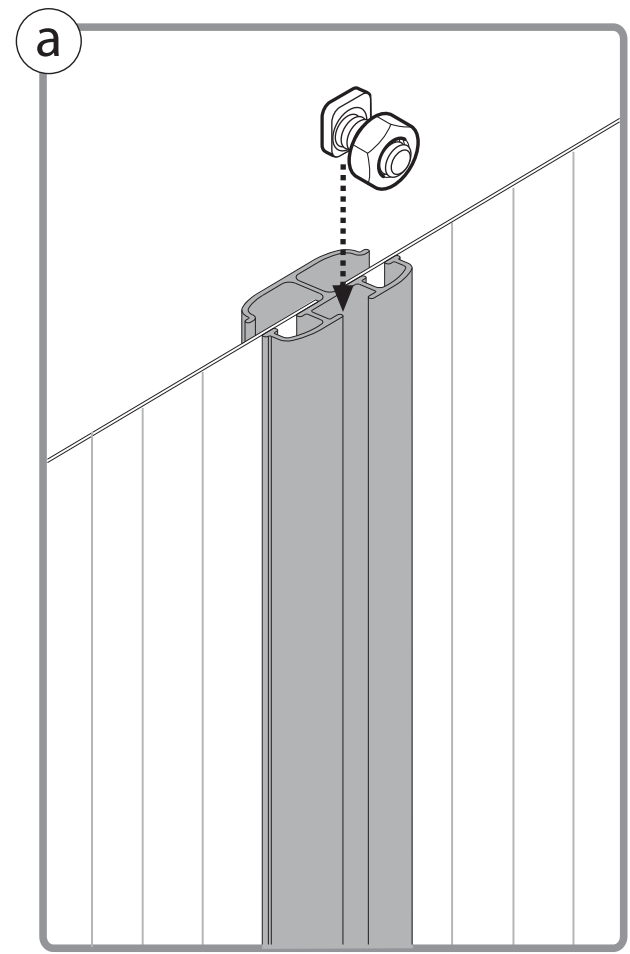
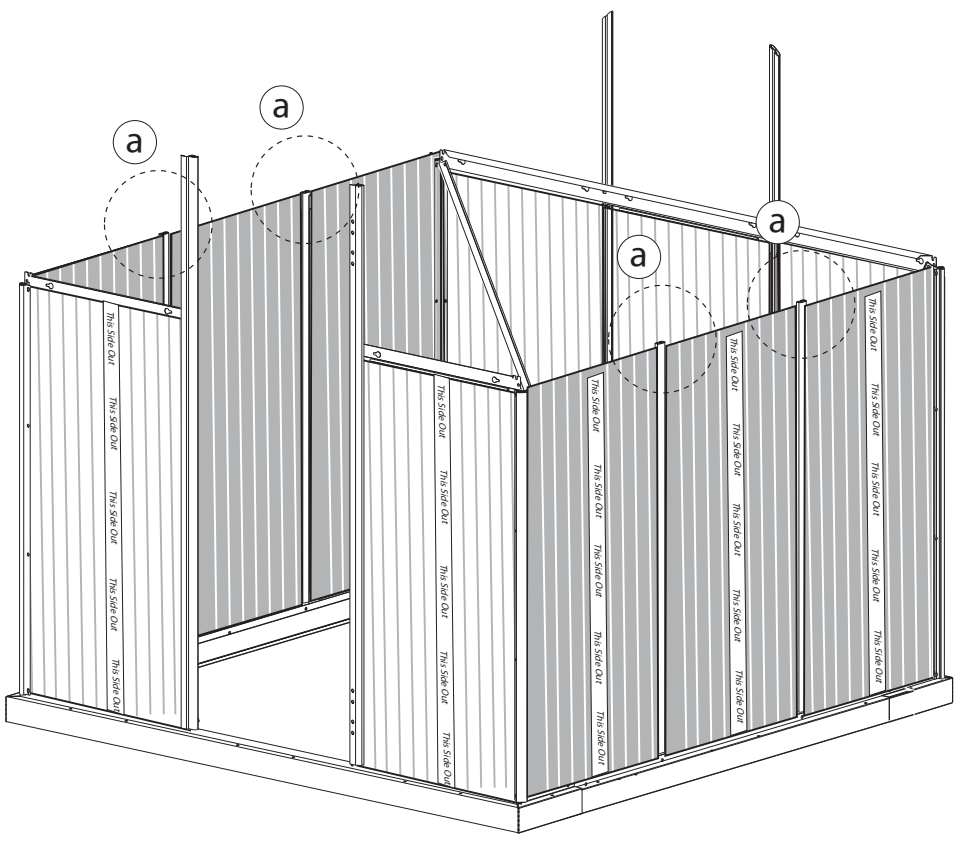
x6





412  x4

411  x4

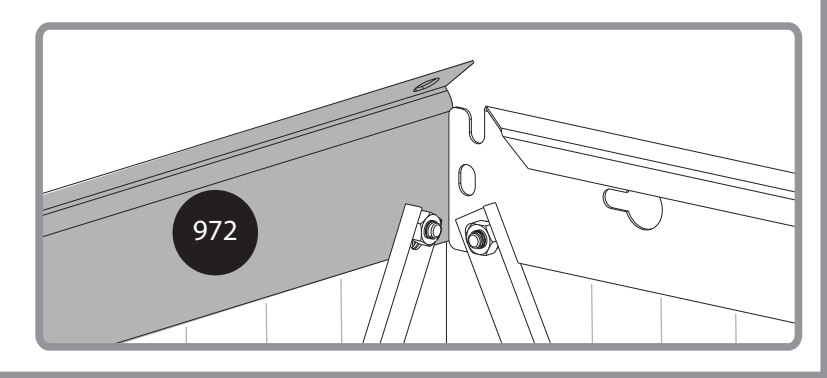
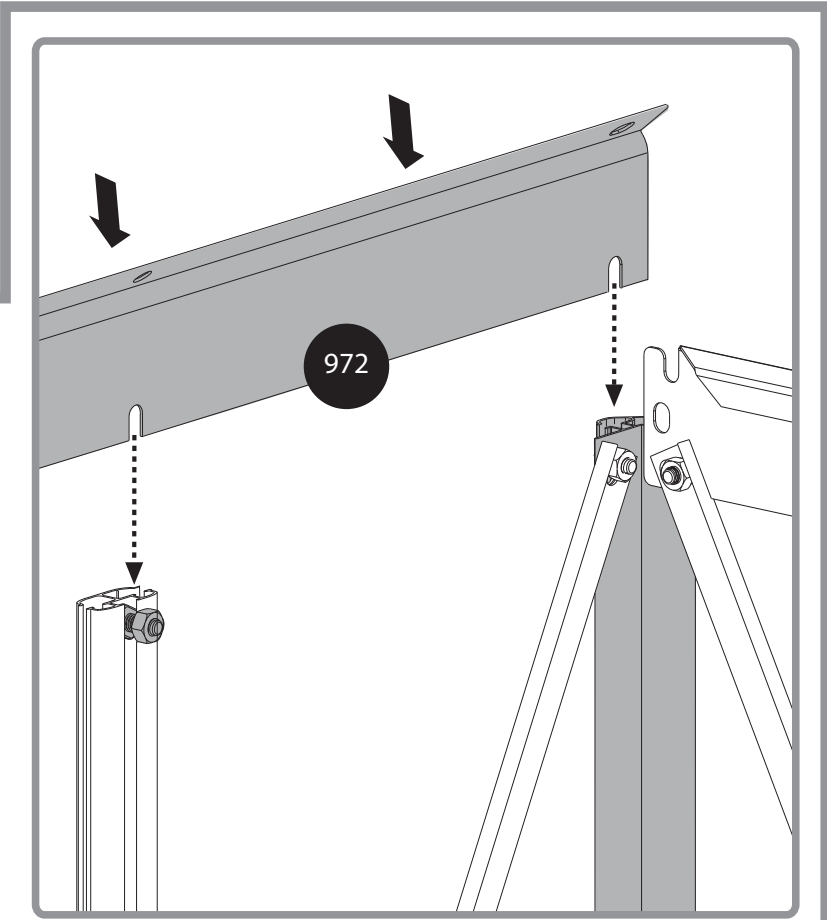
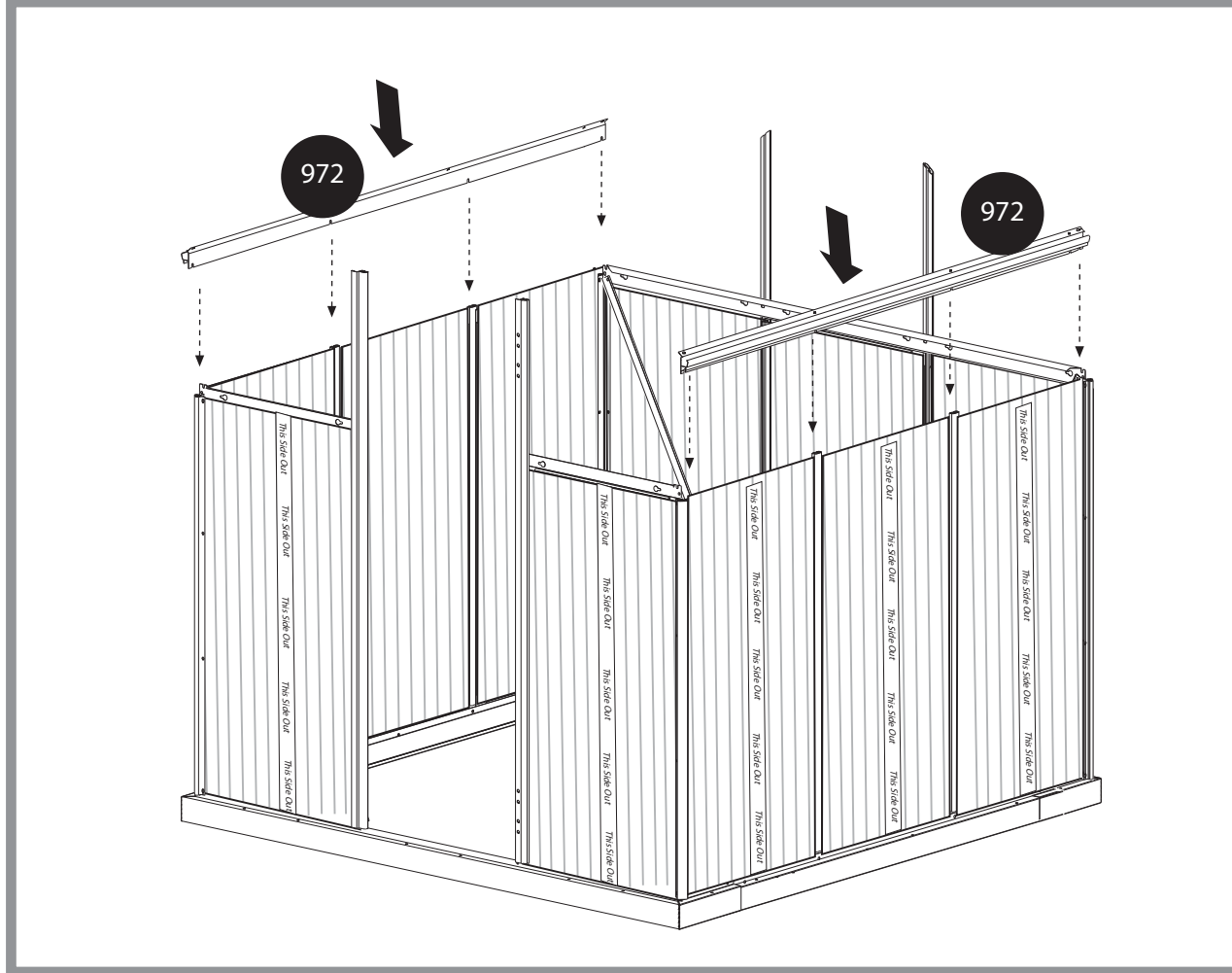
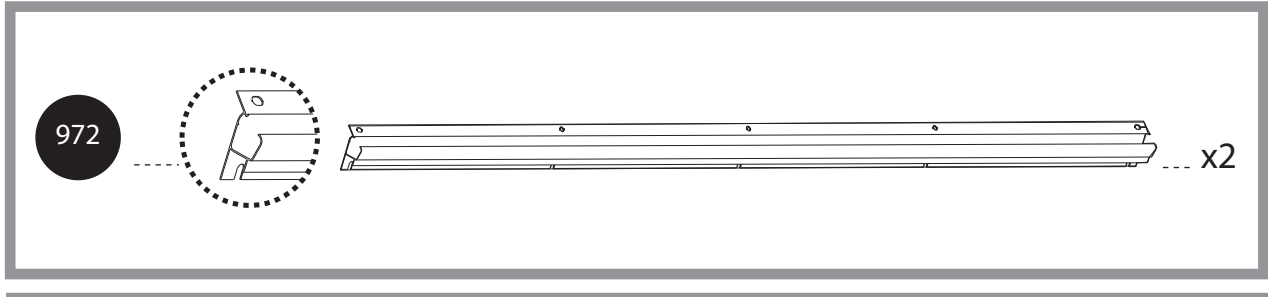
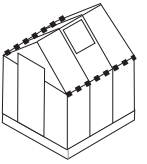


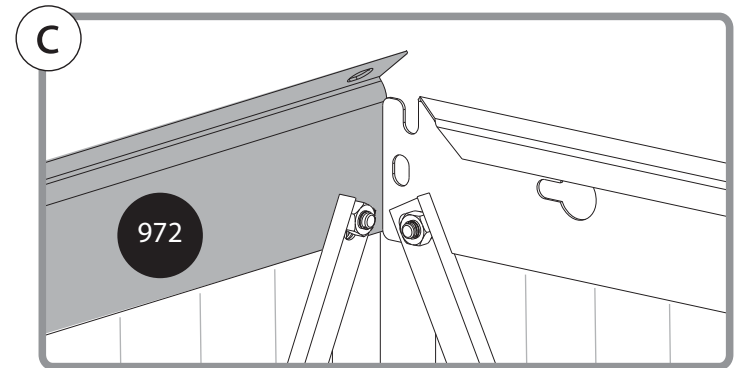
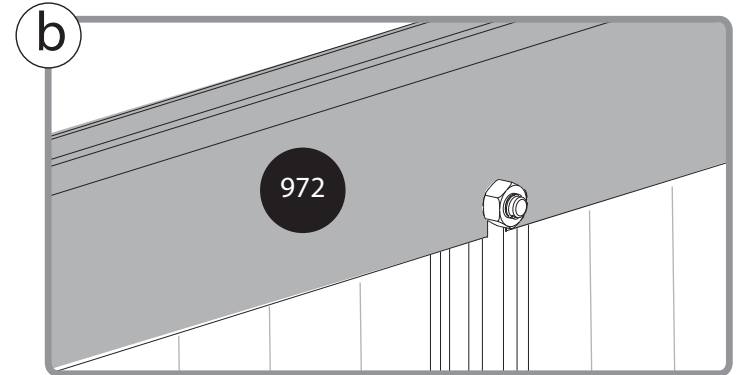
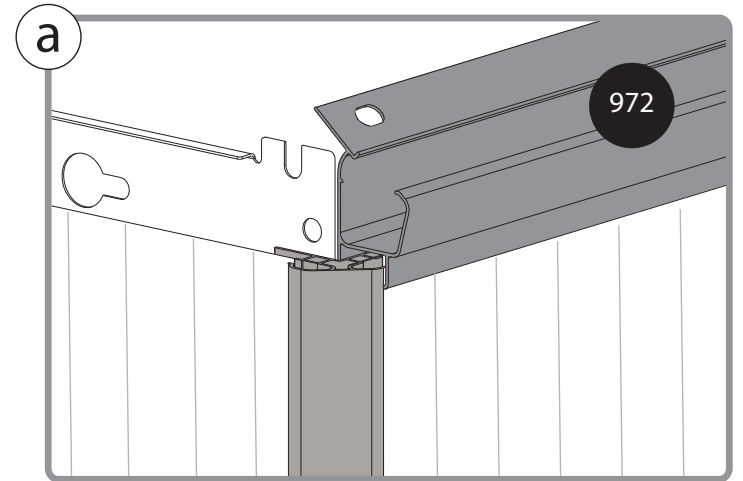
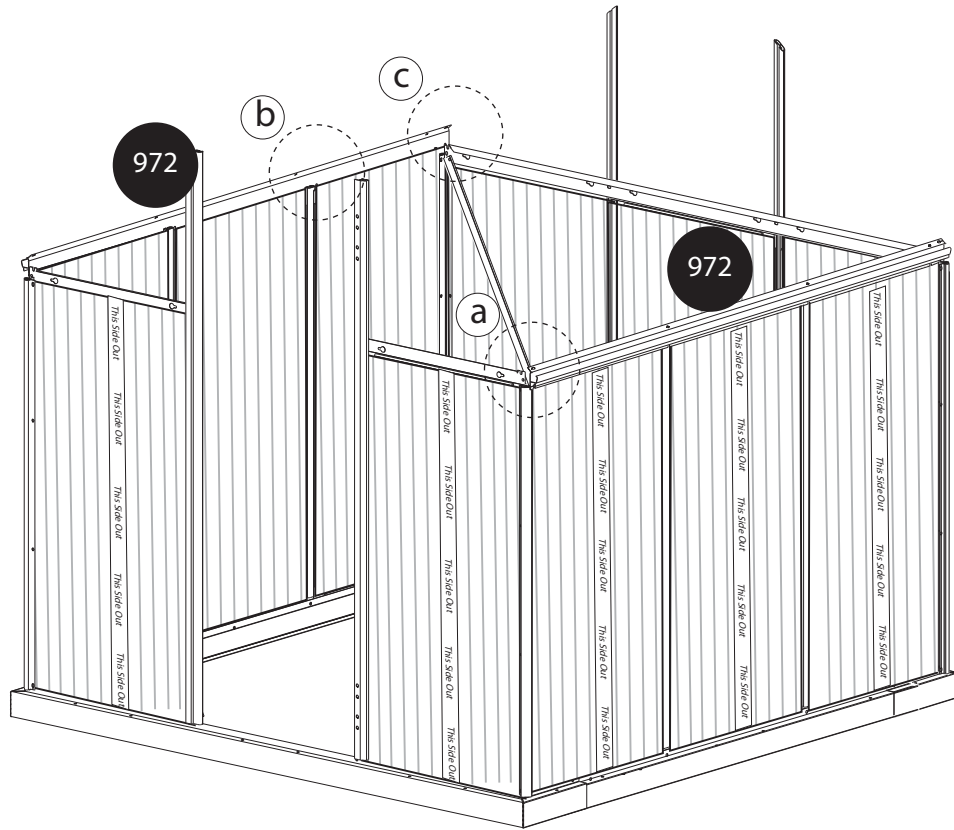
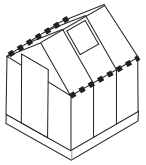
17



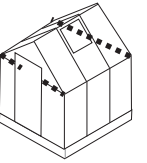
412 

411 

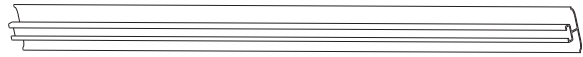




19



999

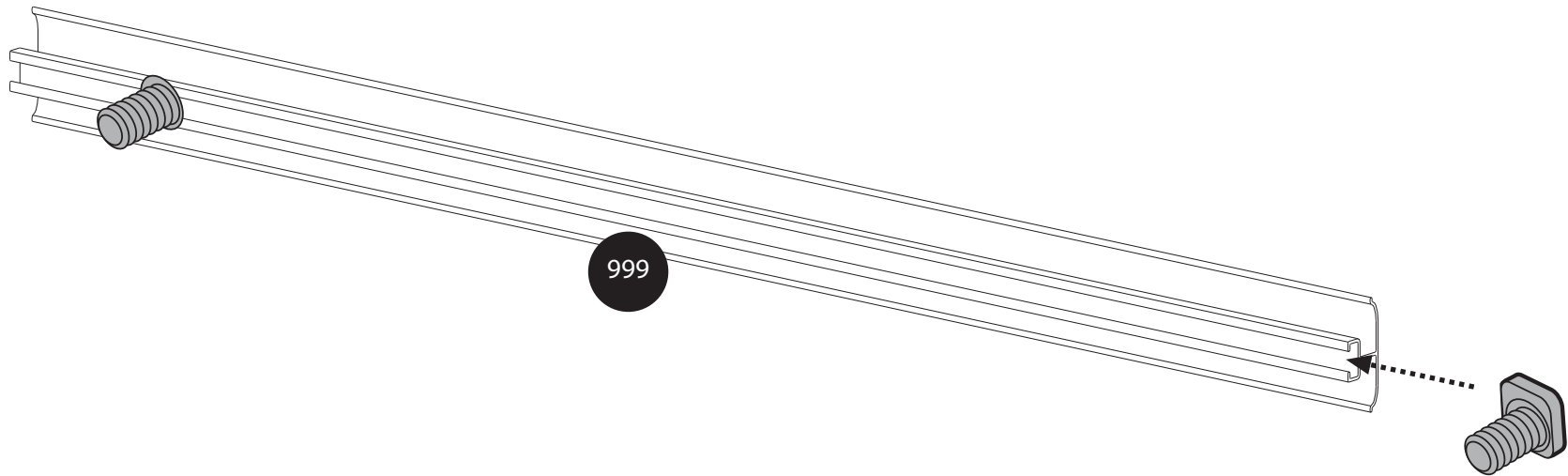


x5

411

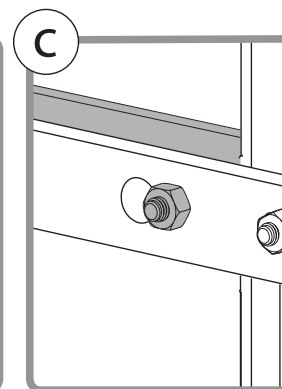
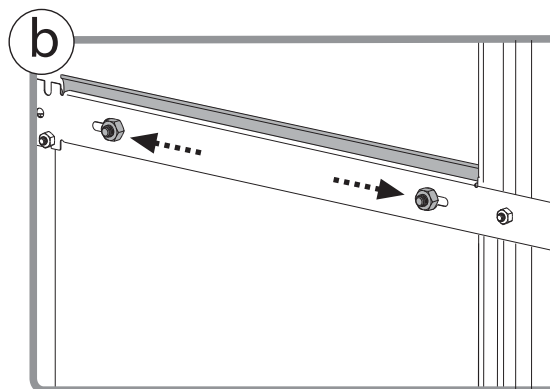
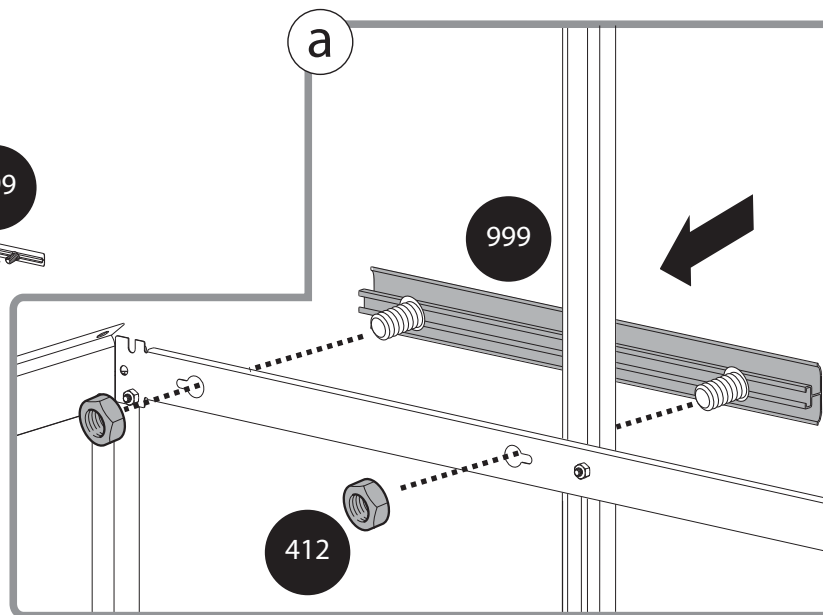
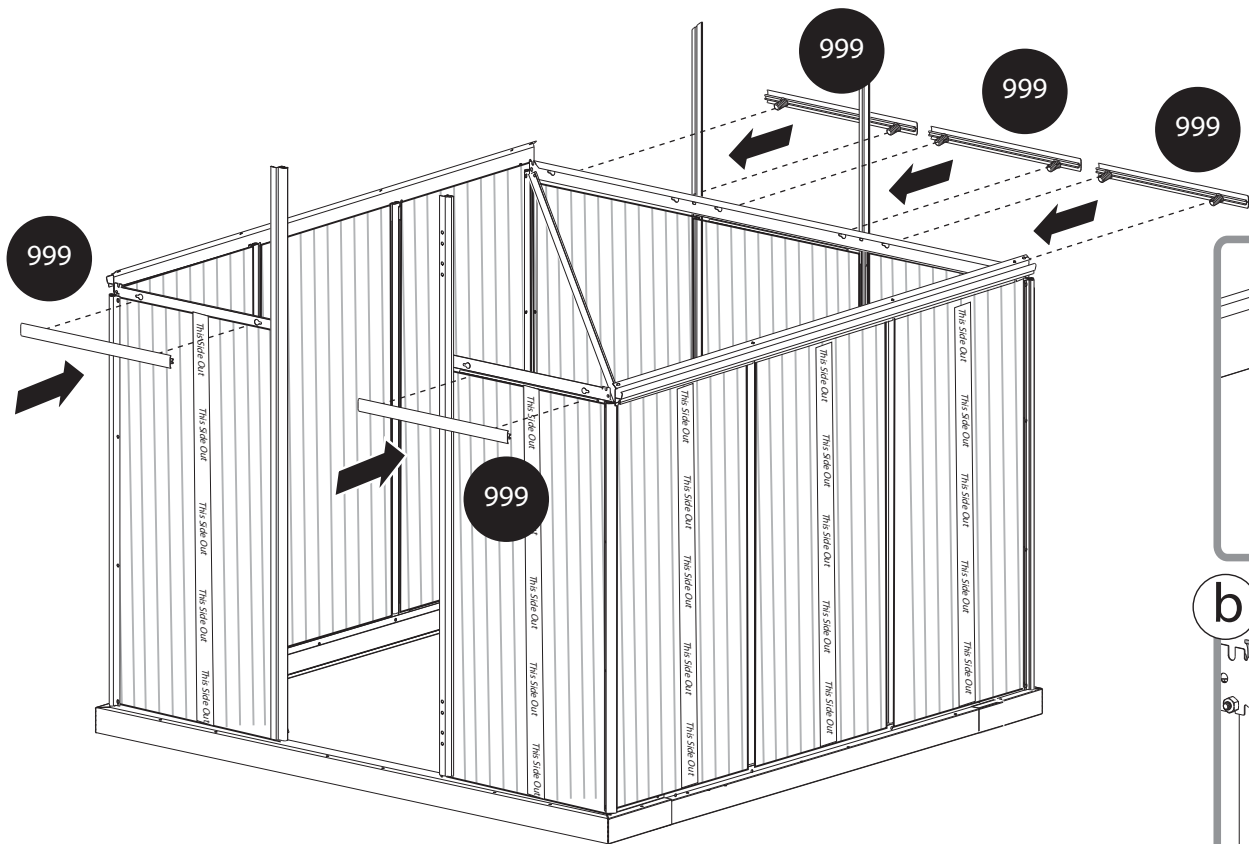
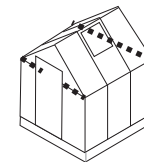


x10

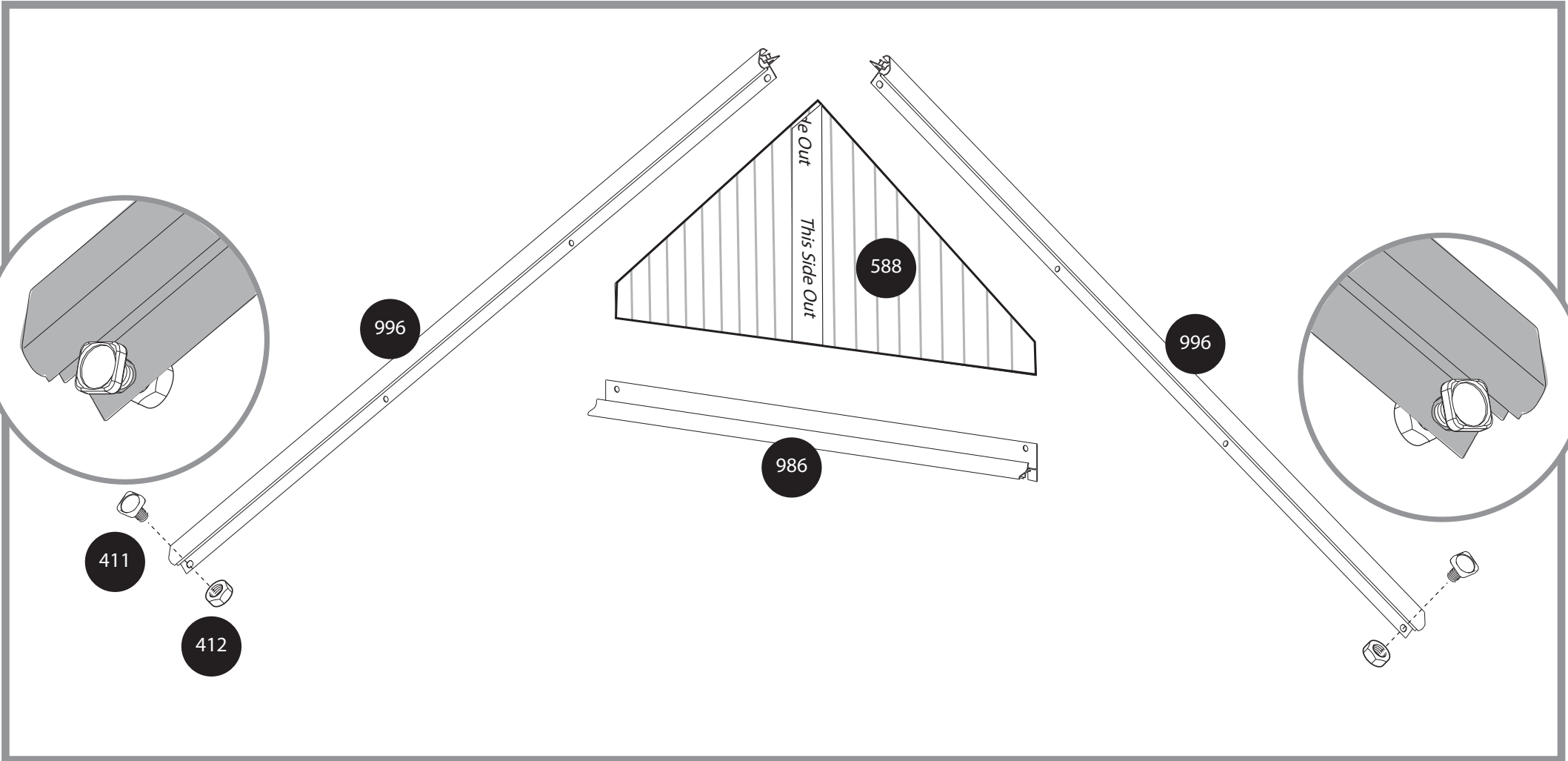
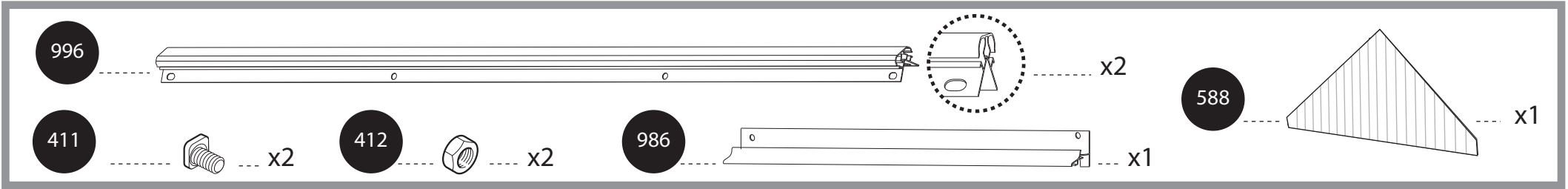
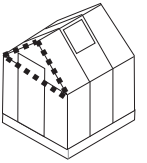


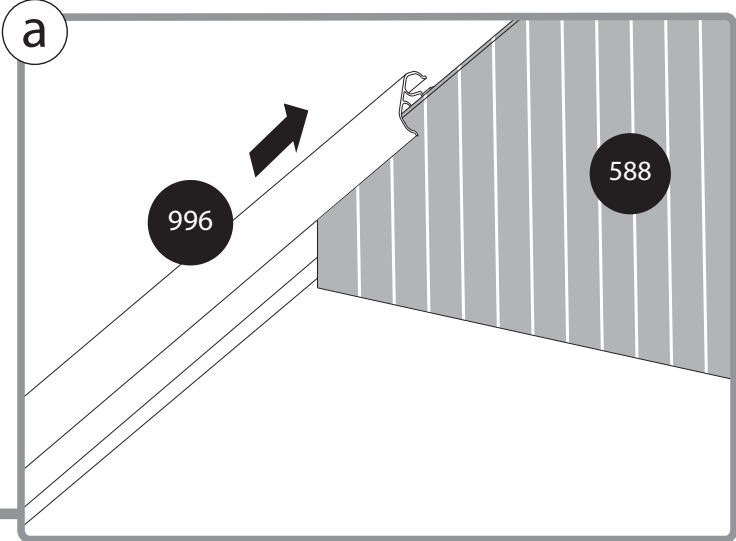
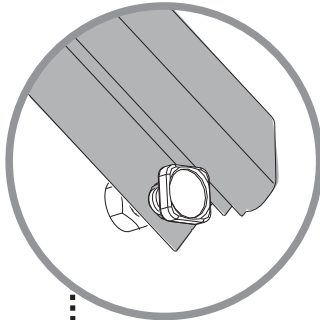
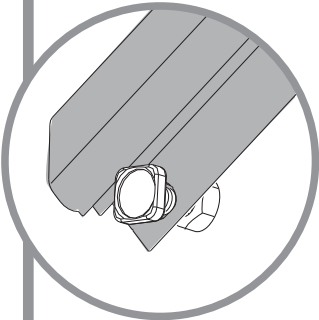
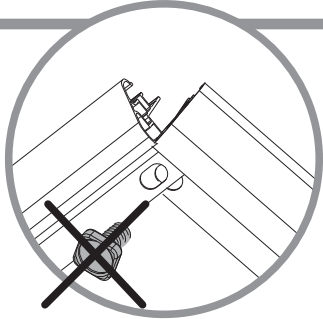
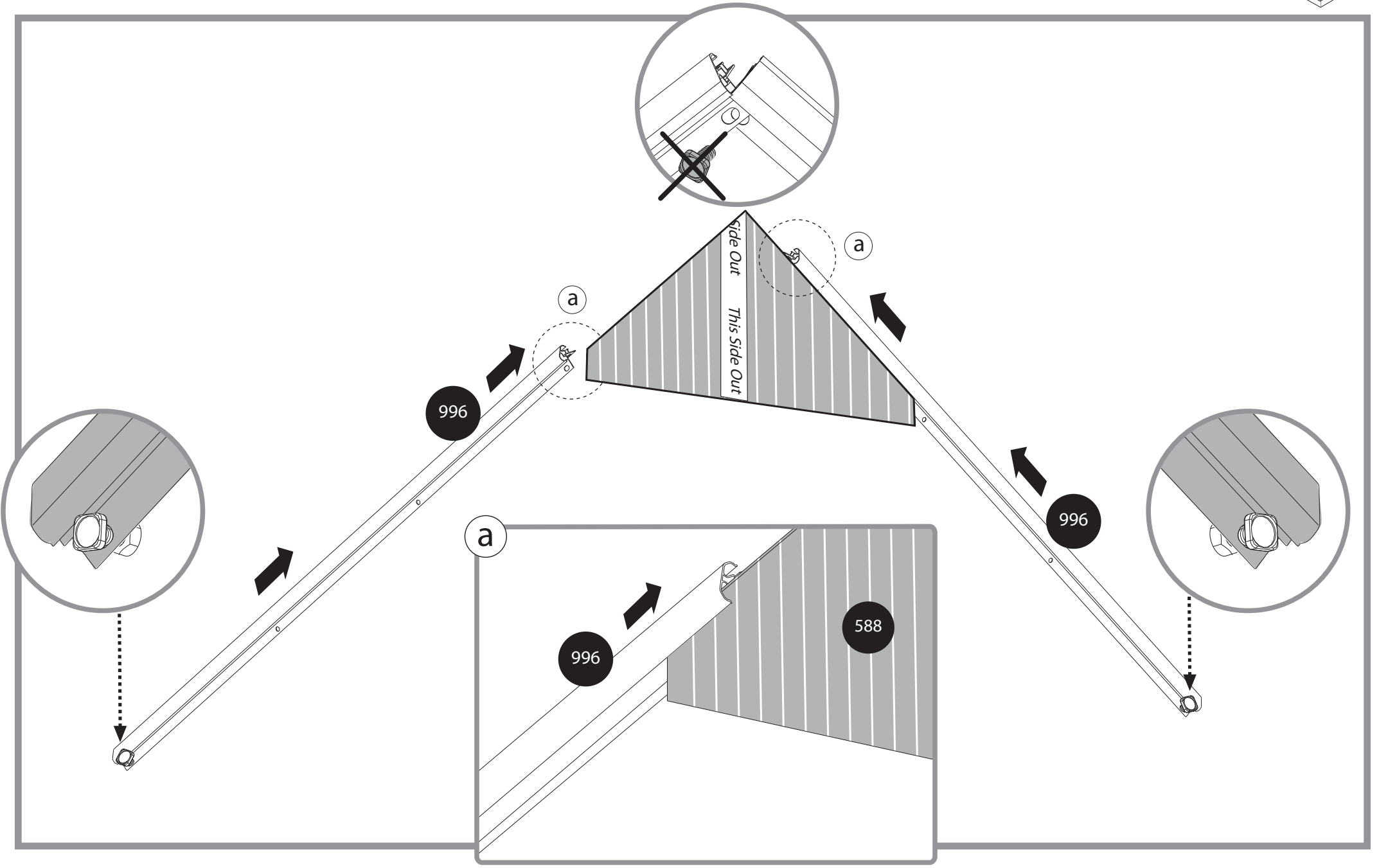
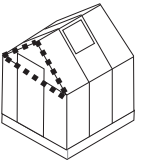
999

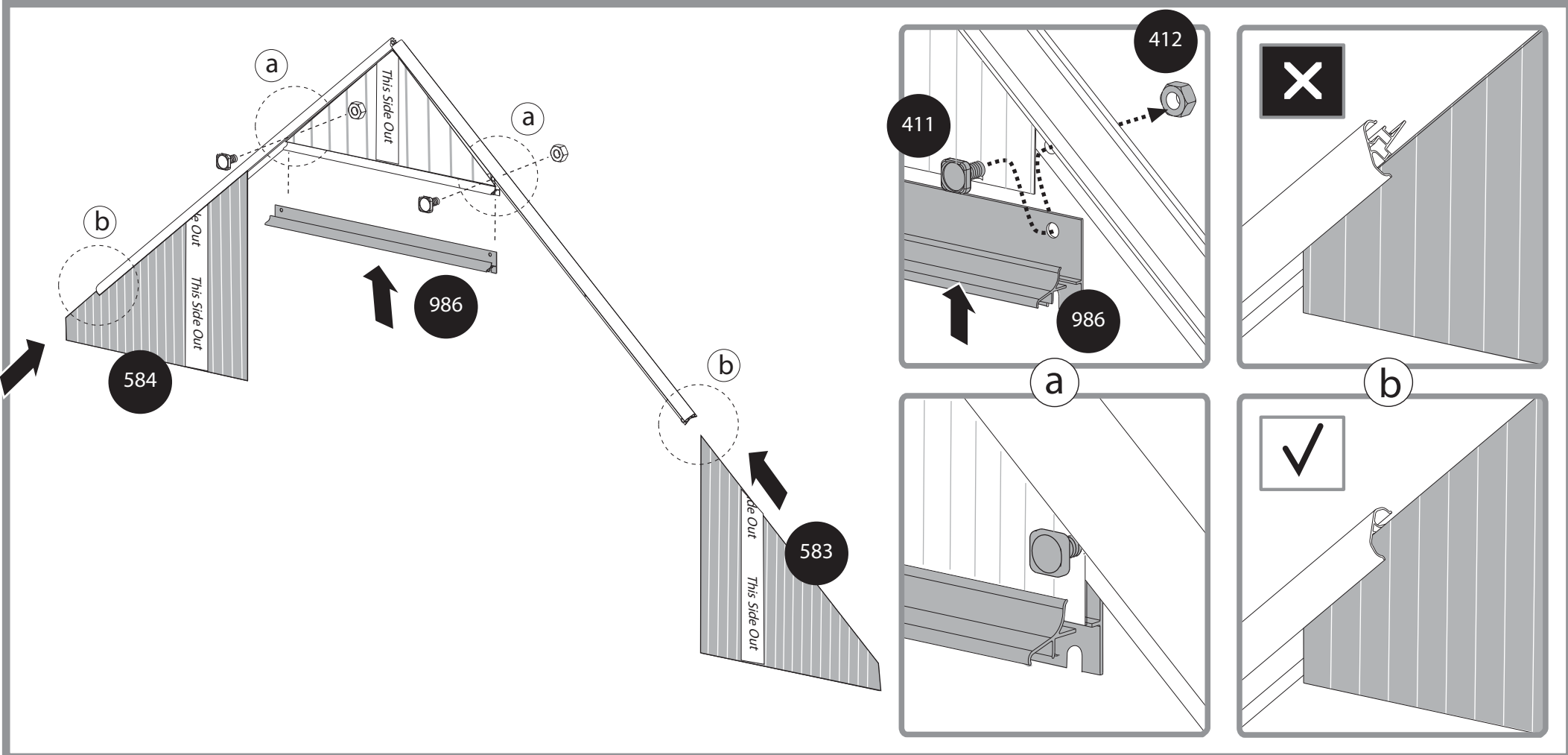
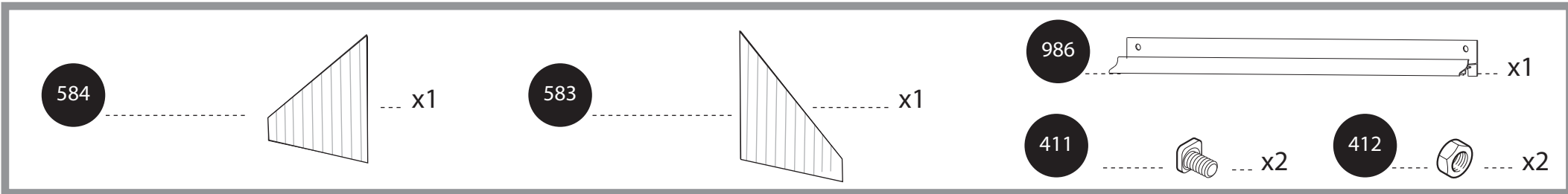
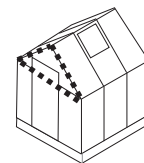
x5

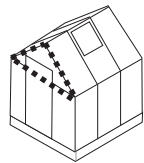


21





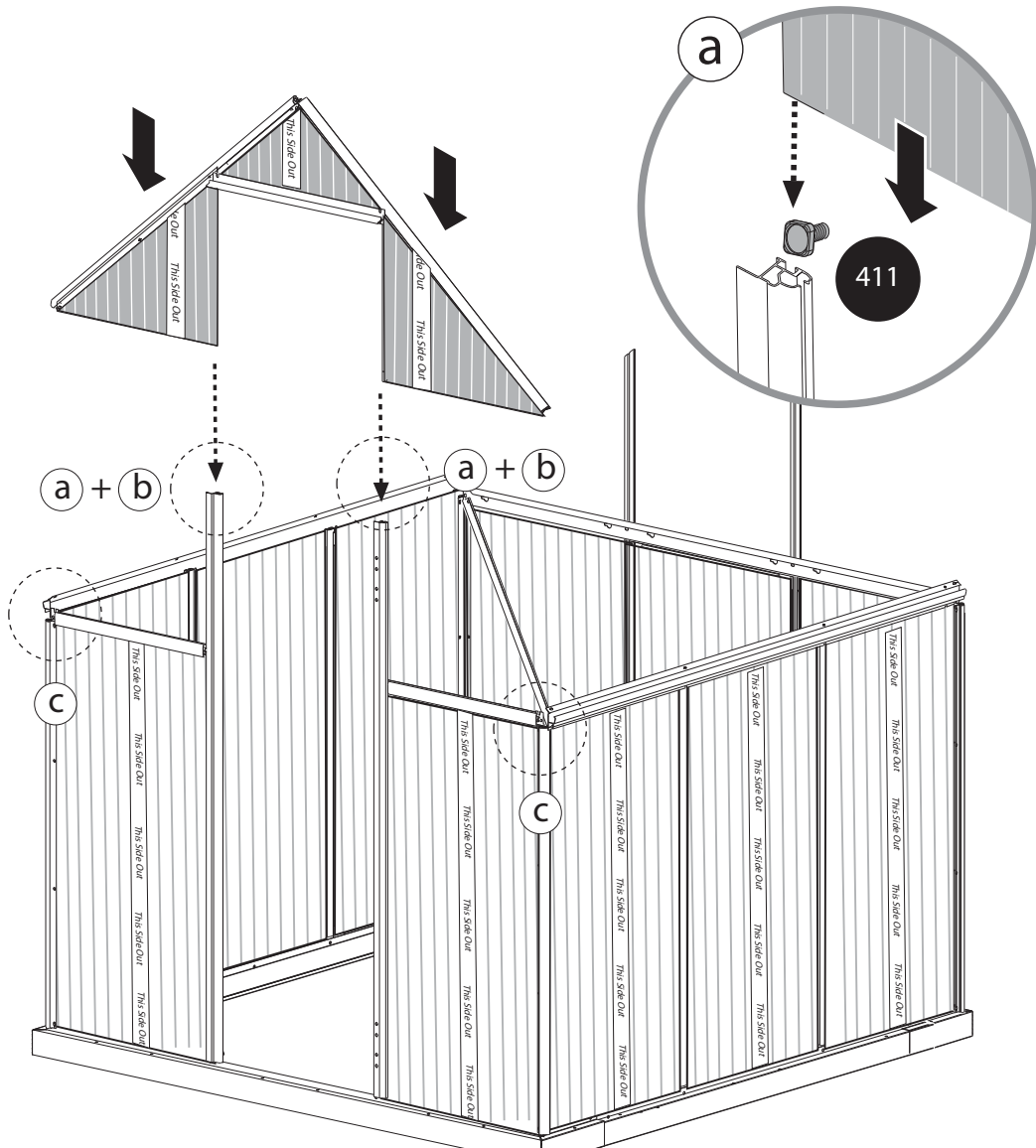




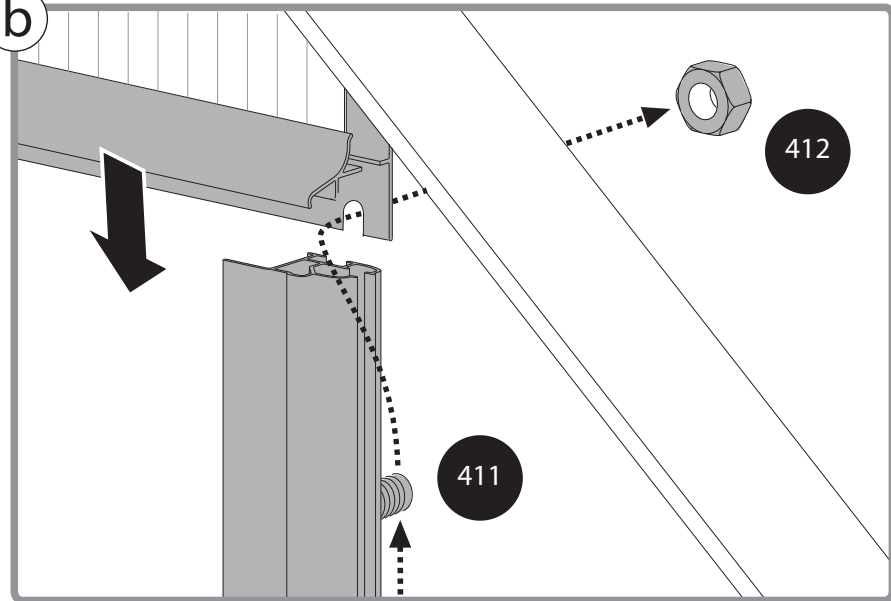
411



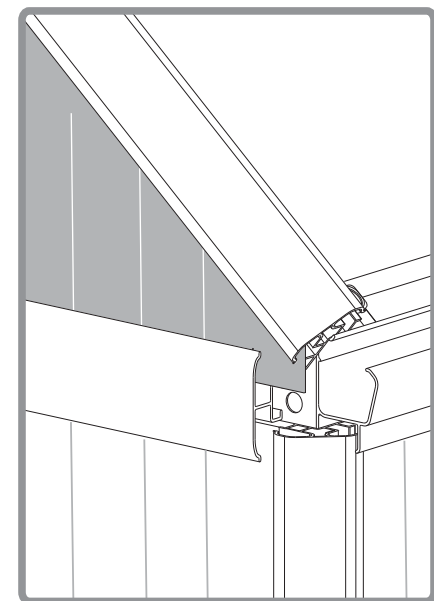
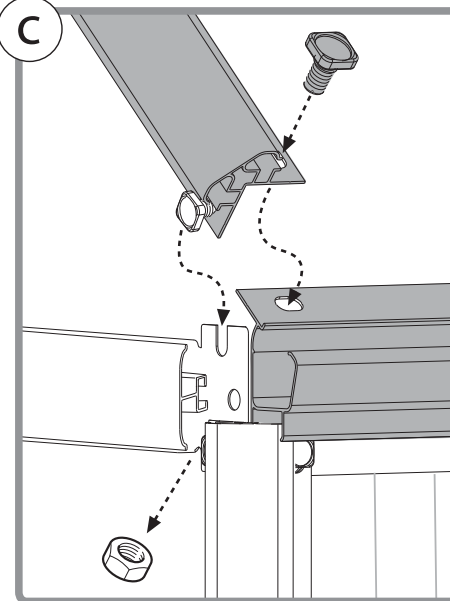
412

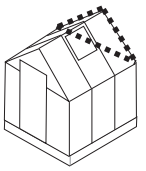


b

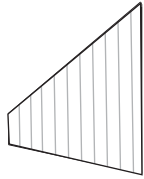


c



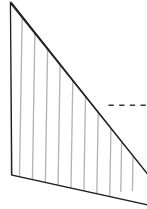


584



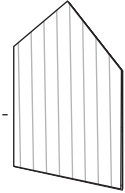
x1

583

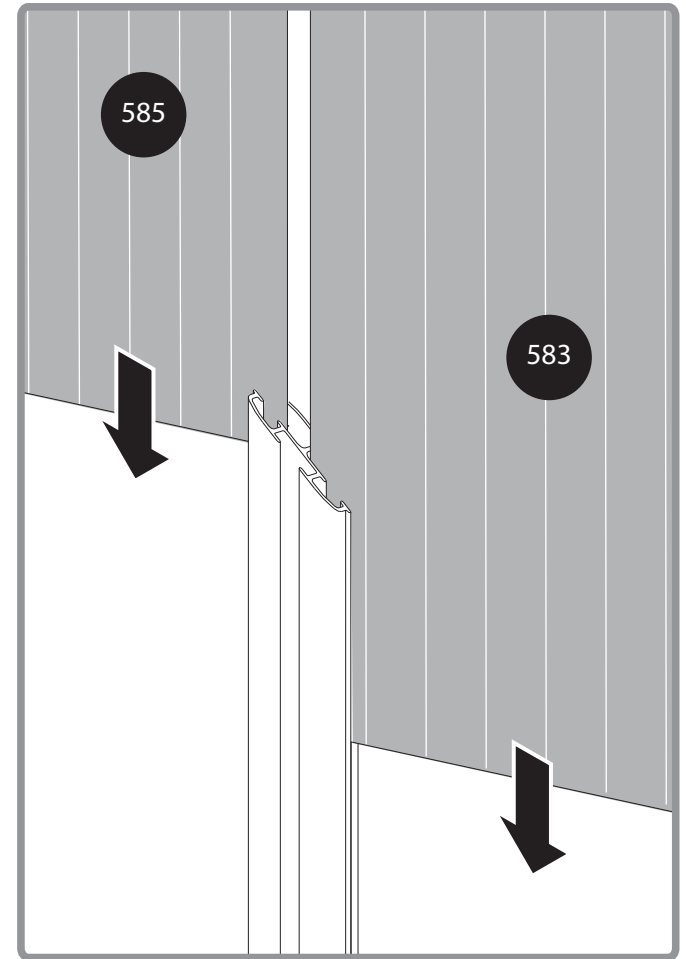
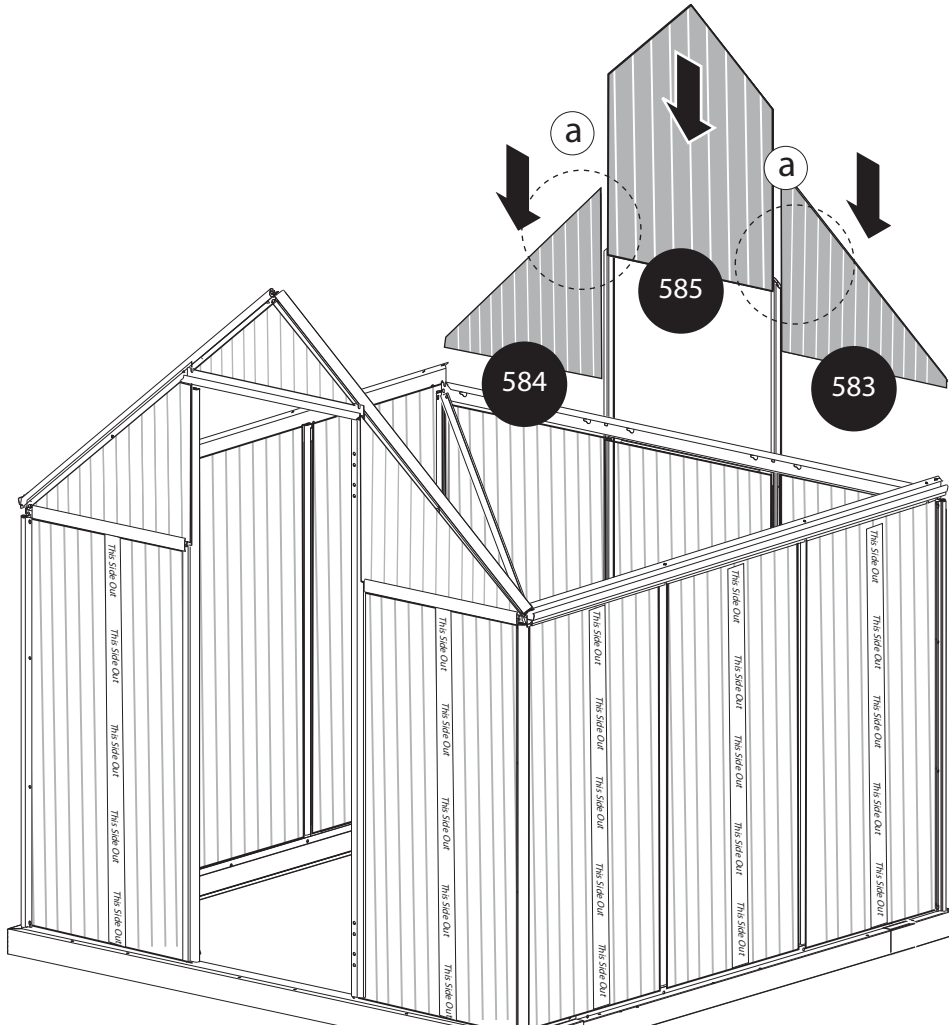


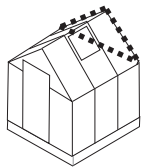
x1

585

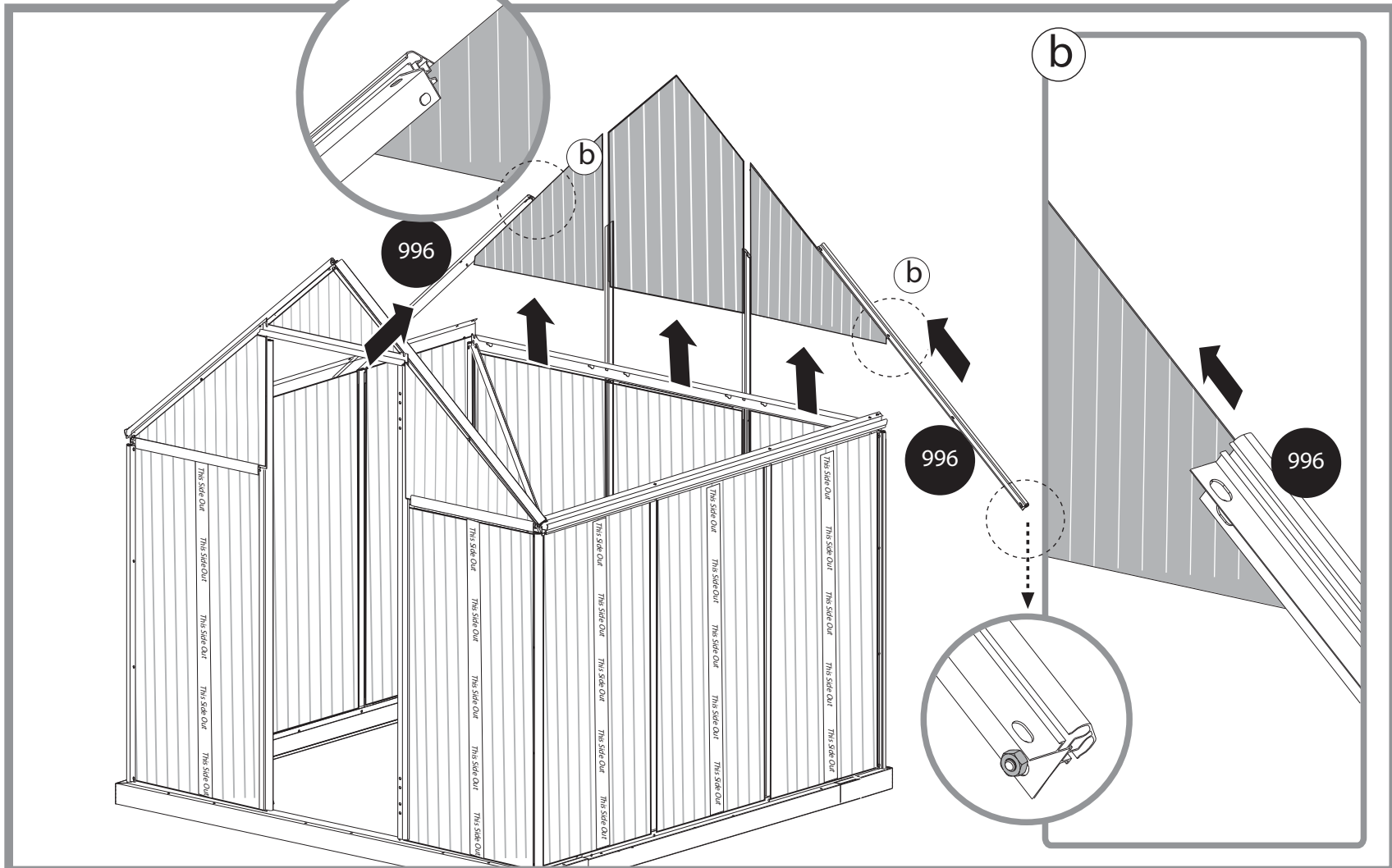
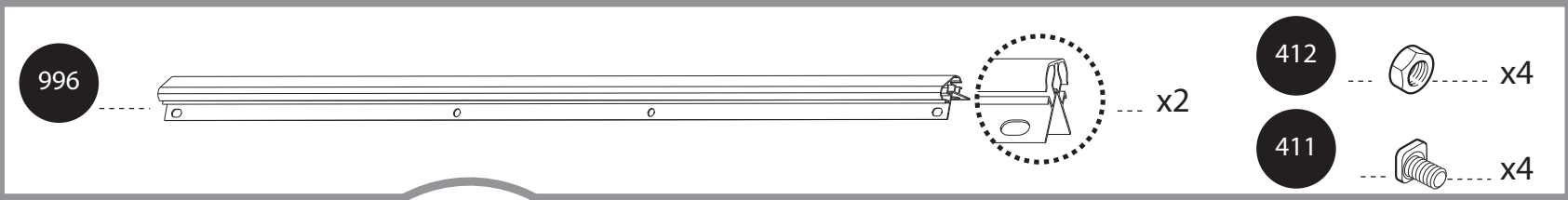
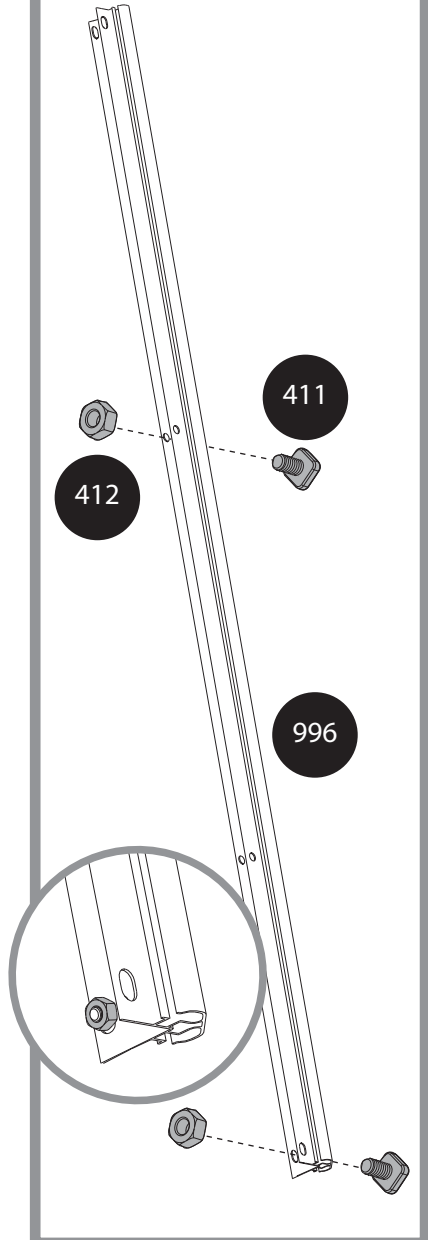


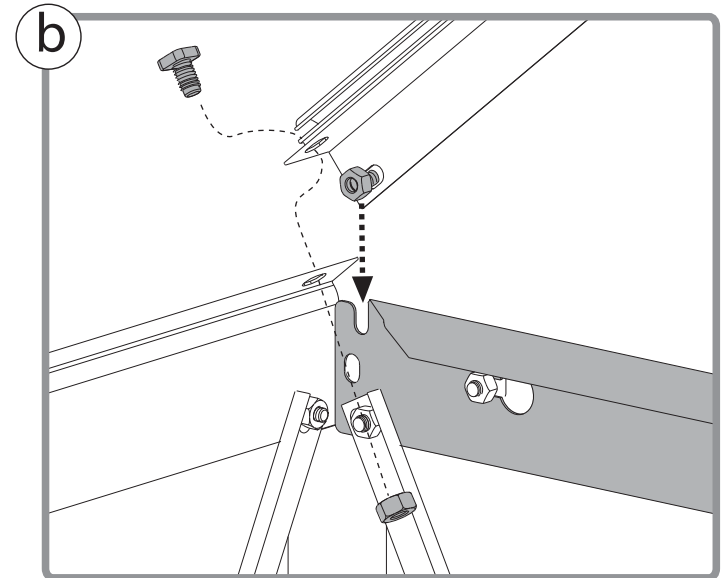
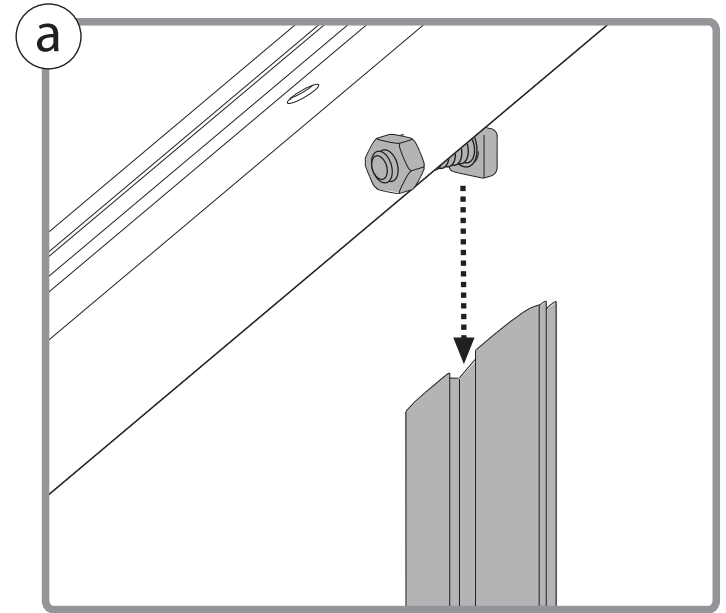
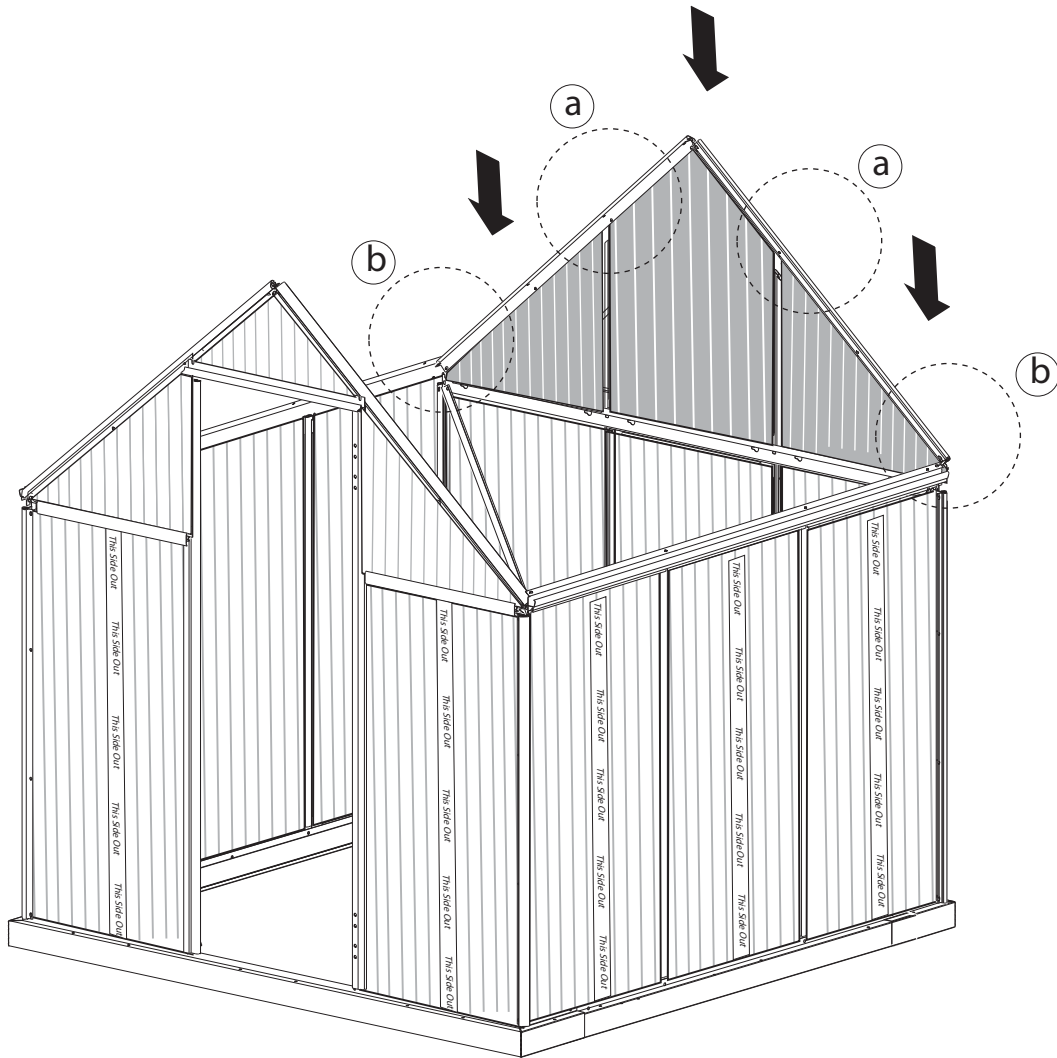
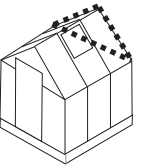
x1

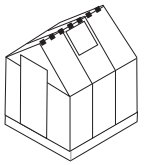




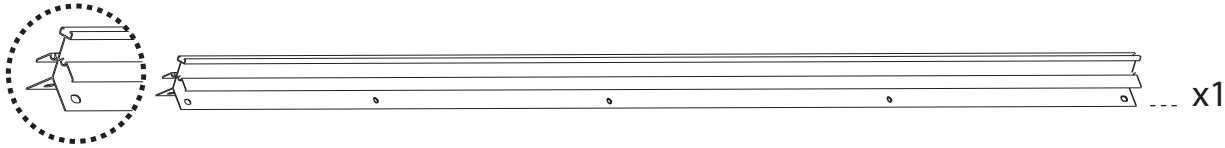
a





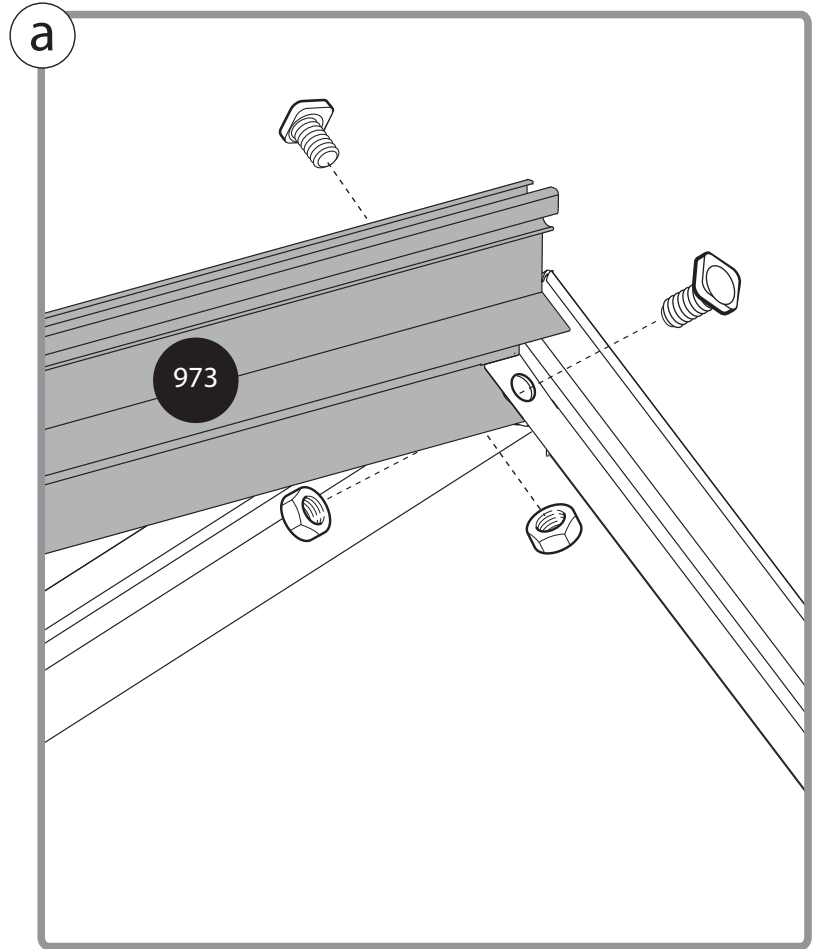
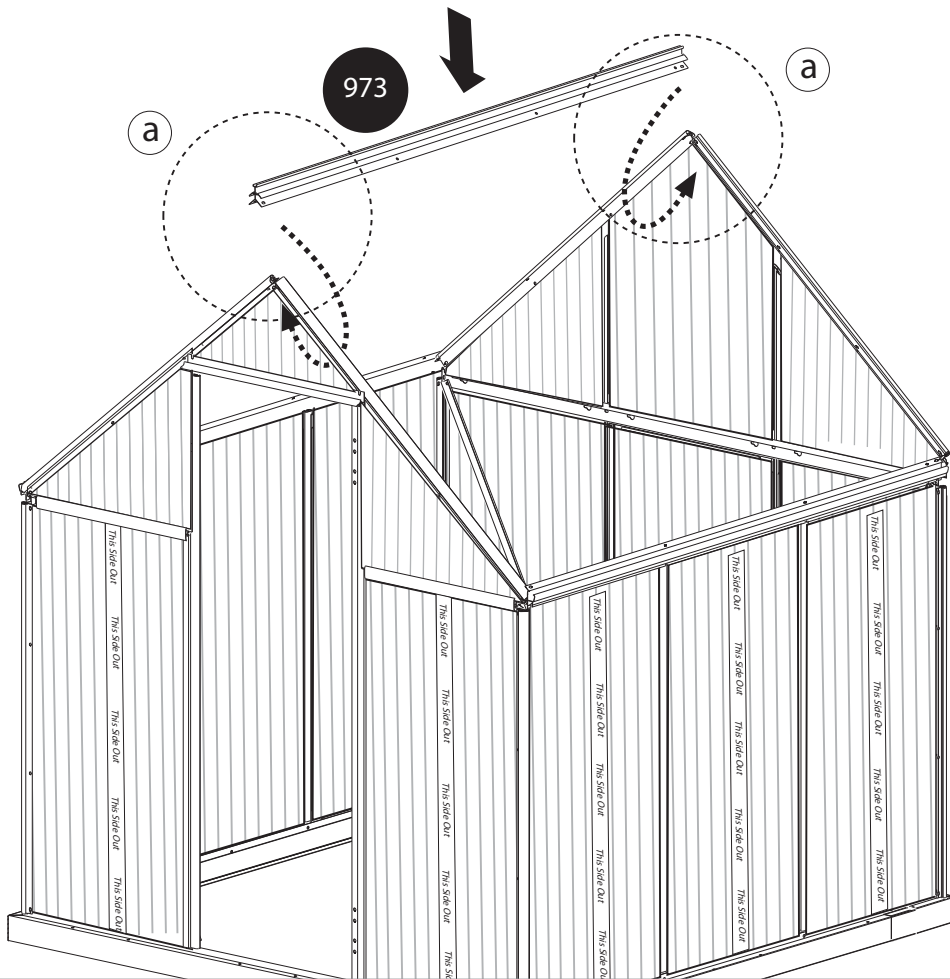


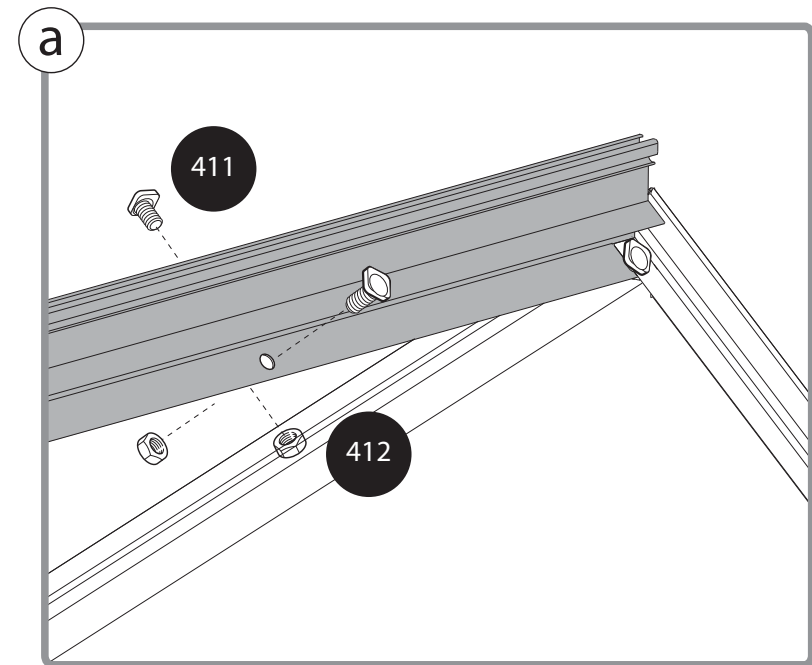
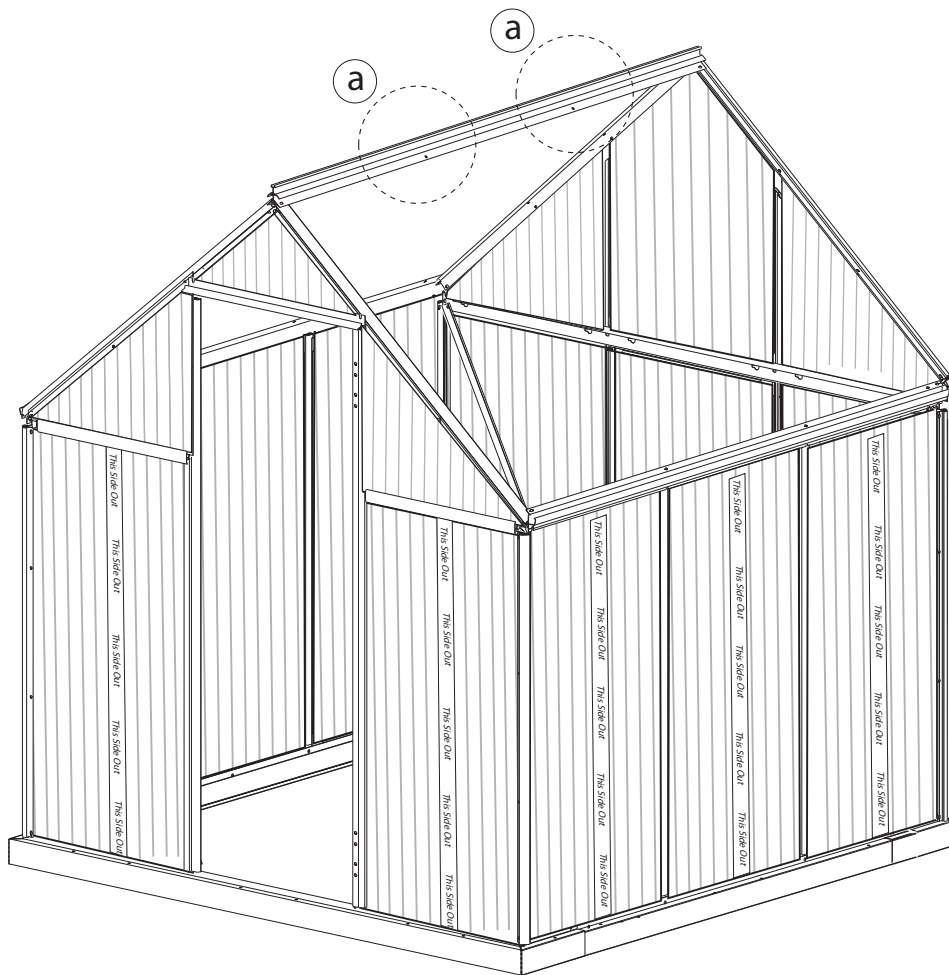
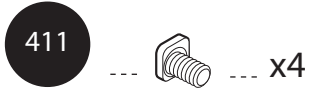
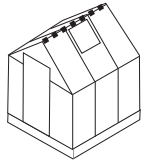
973



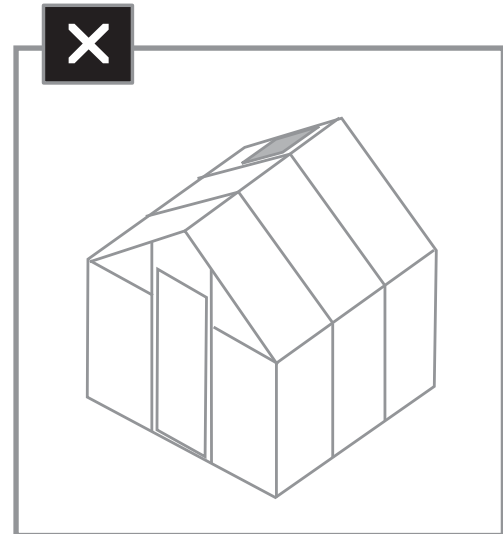
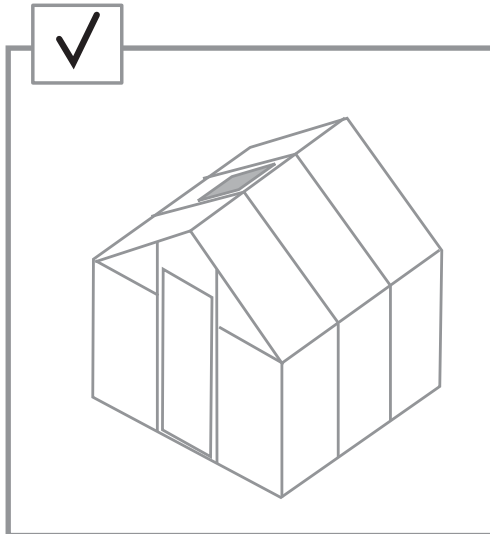
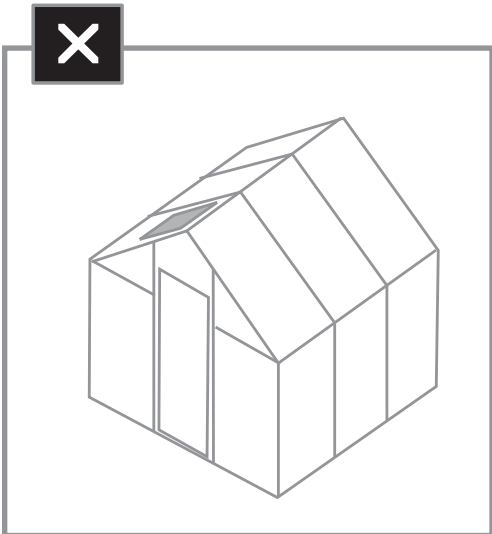
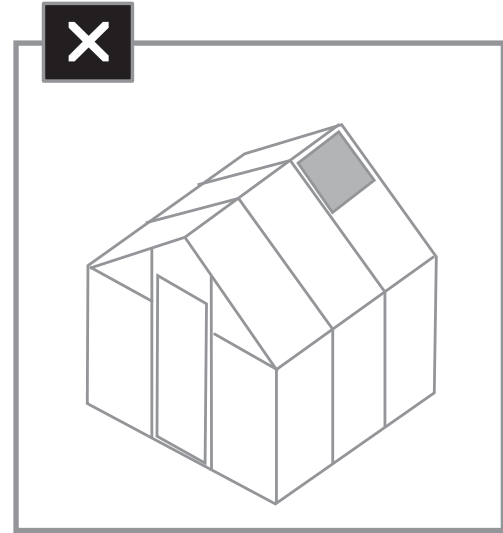
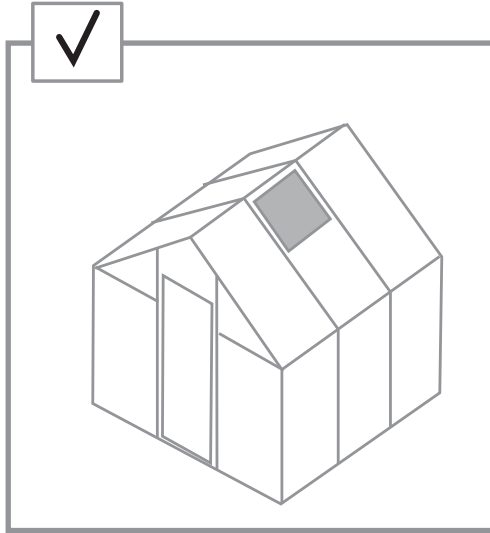
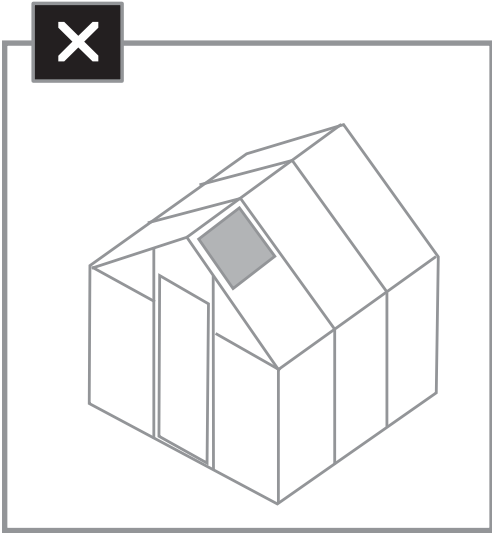
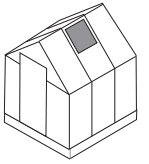
412 x4

411 x4

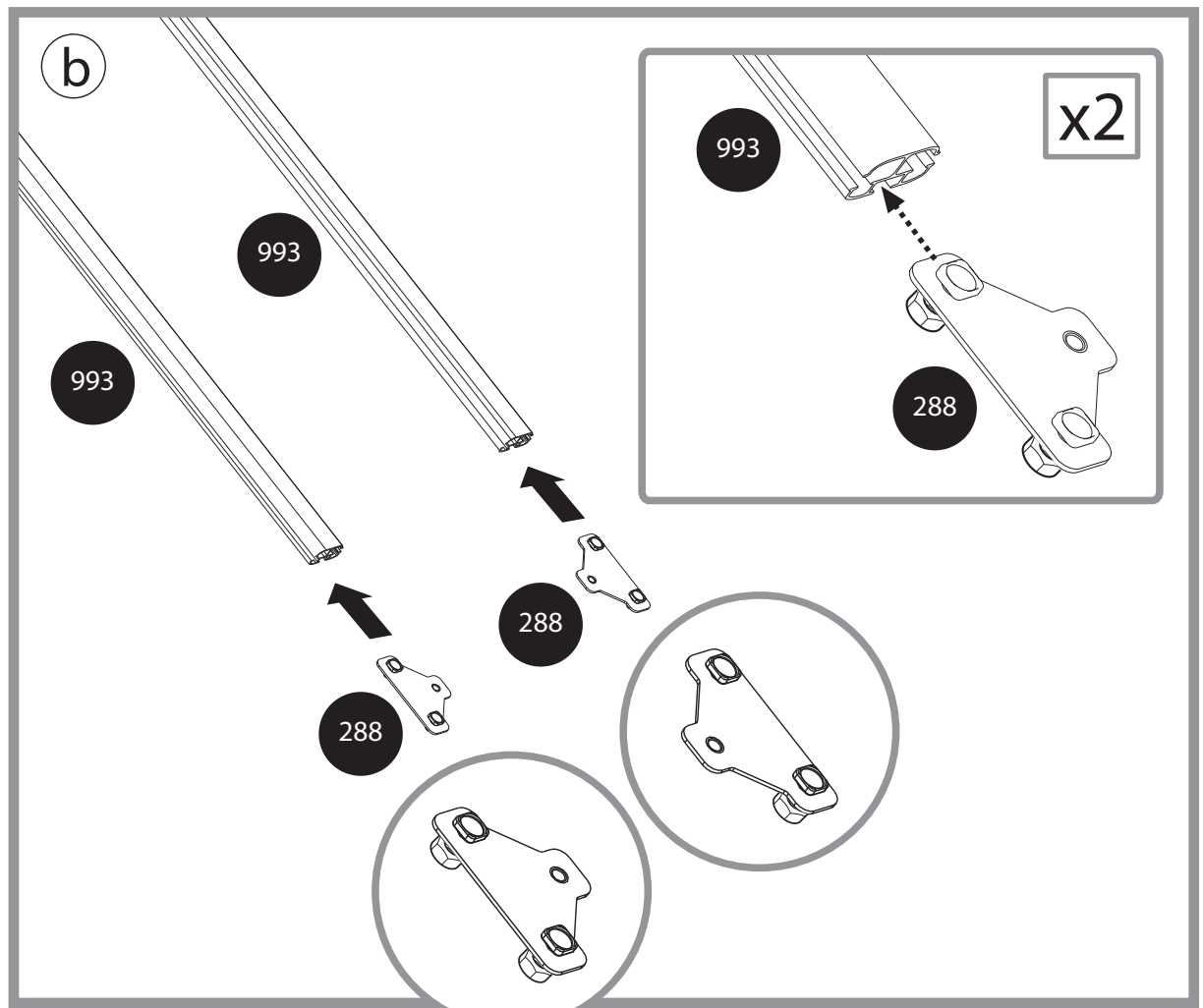
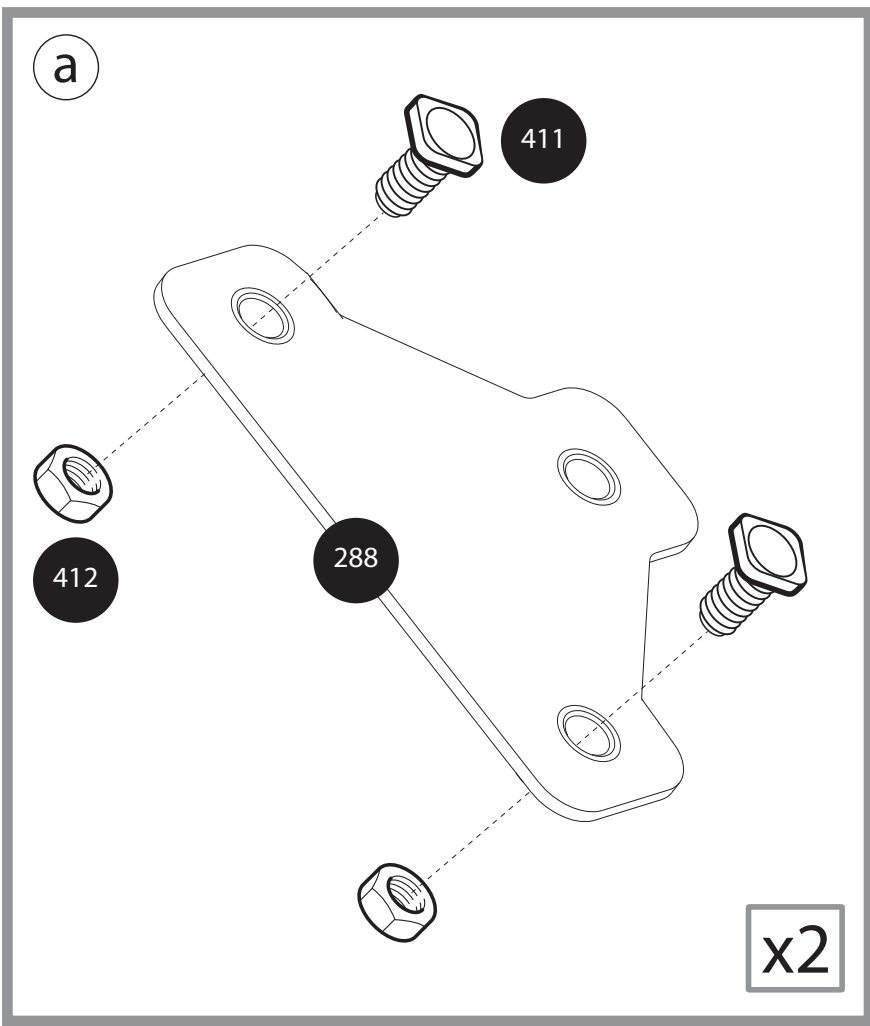
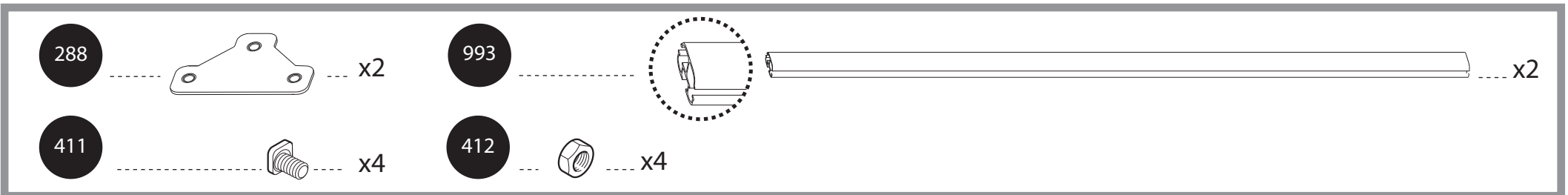
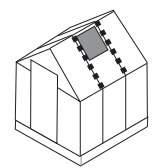


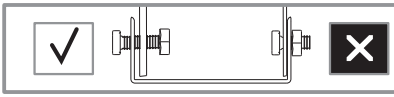


- EN Window Location
- GR Fenster Standort
- FR Fenêtre Emplacement
- SP Ventana Ubicación



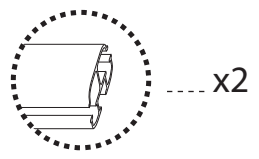
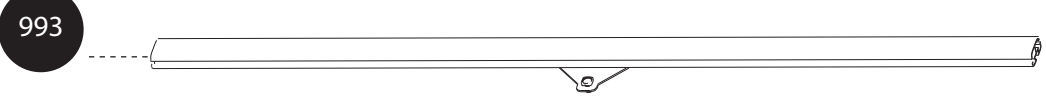
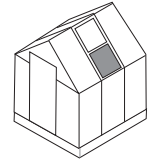
31





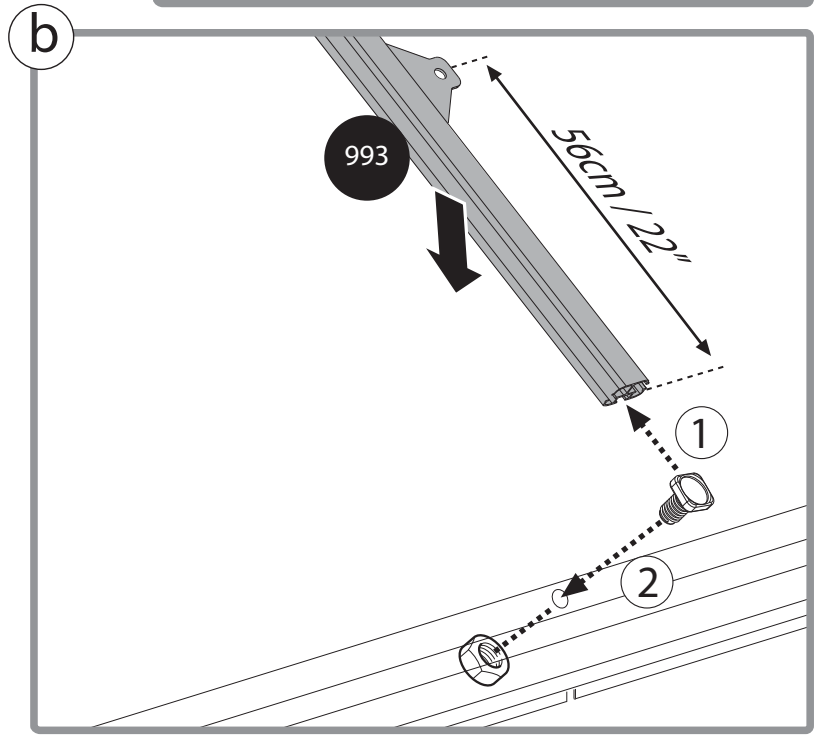
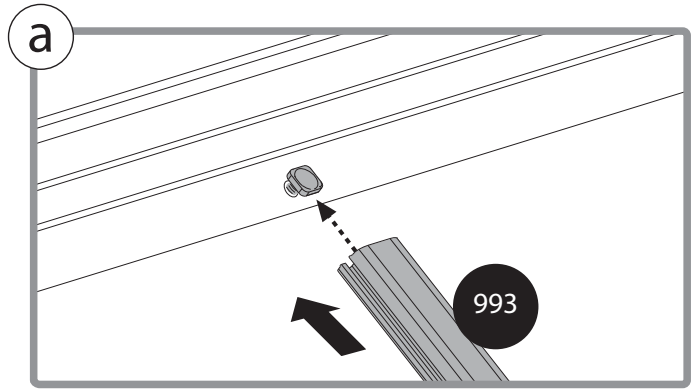
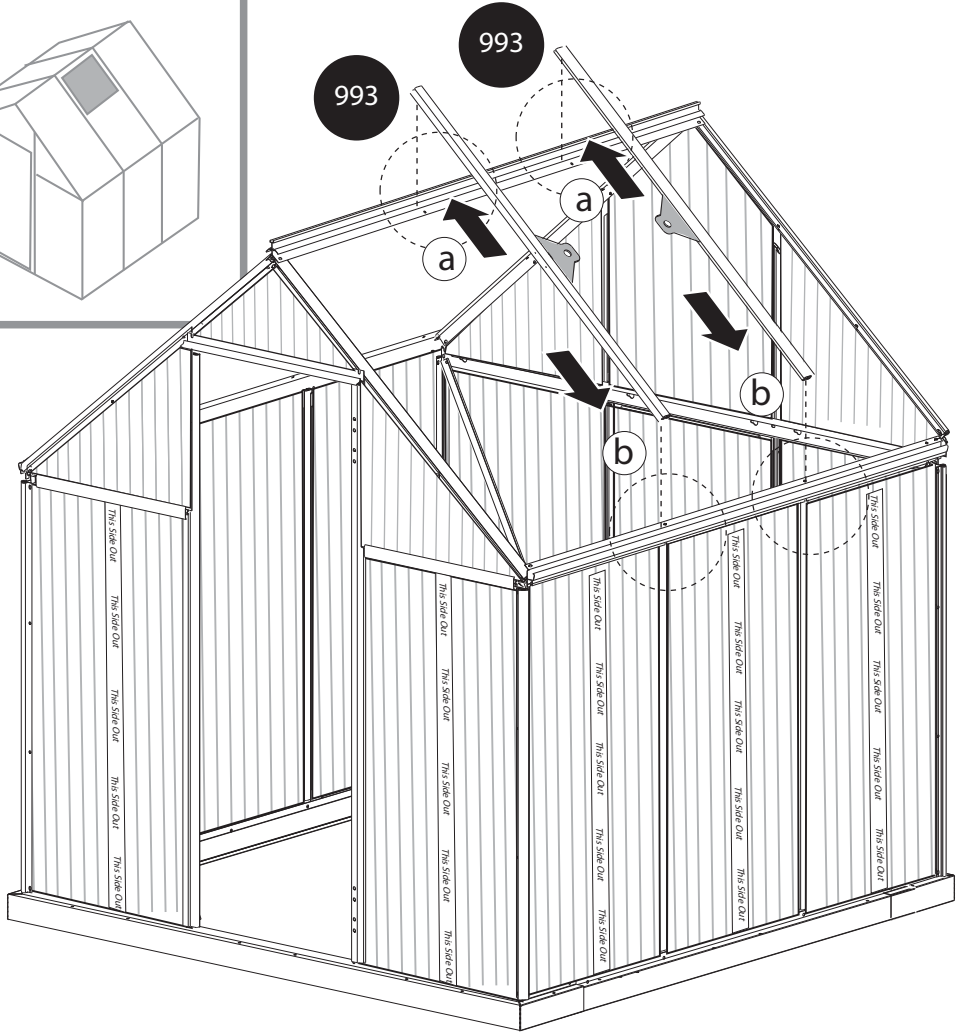
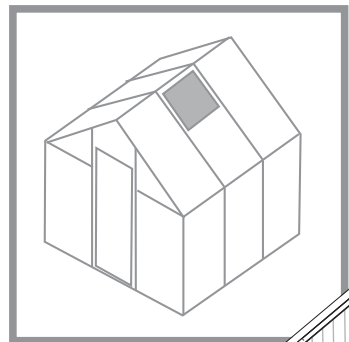
412 

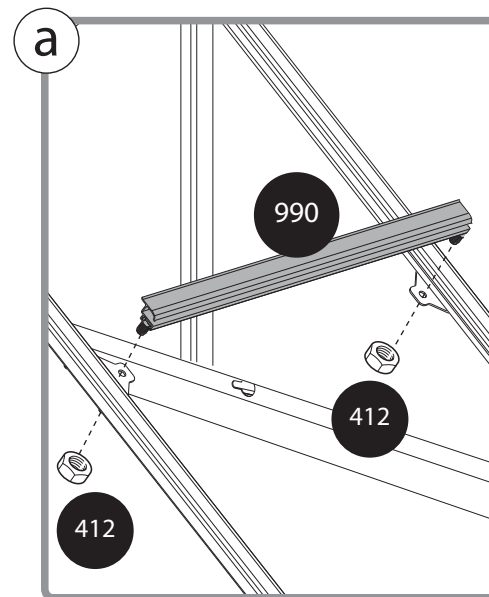
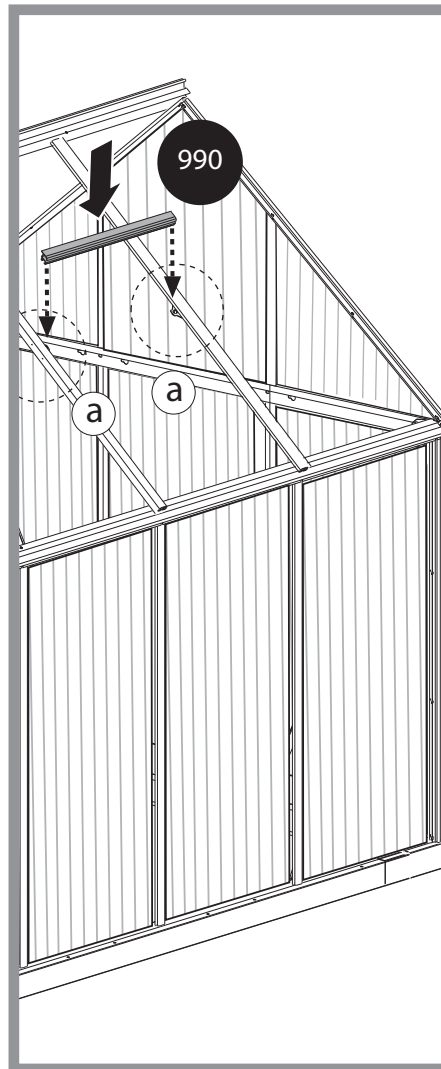
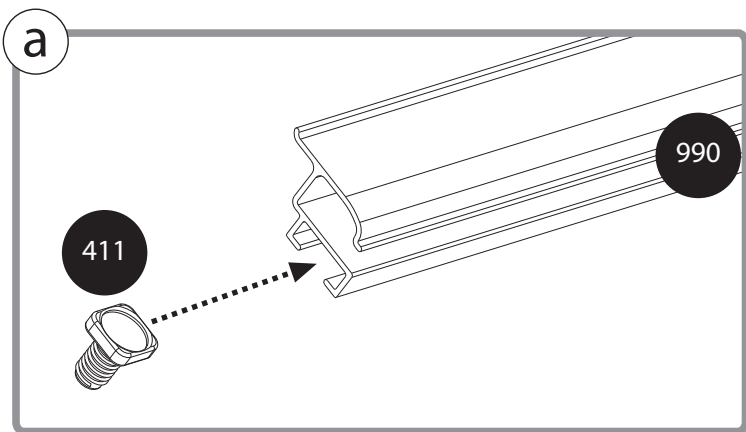
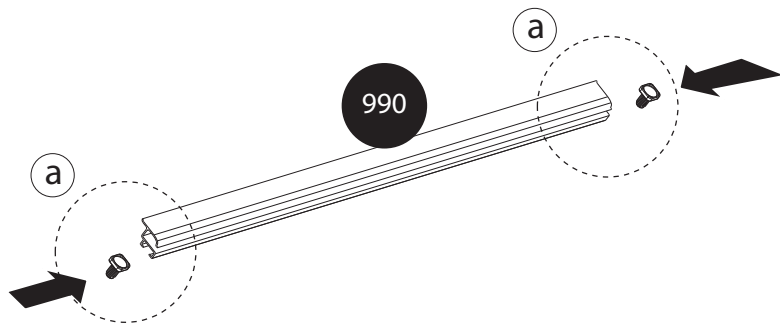
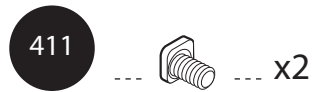
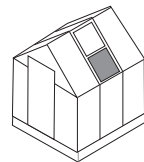
411 

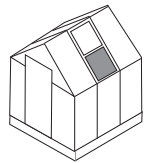


411  x2

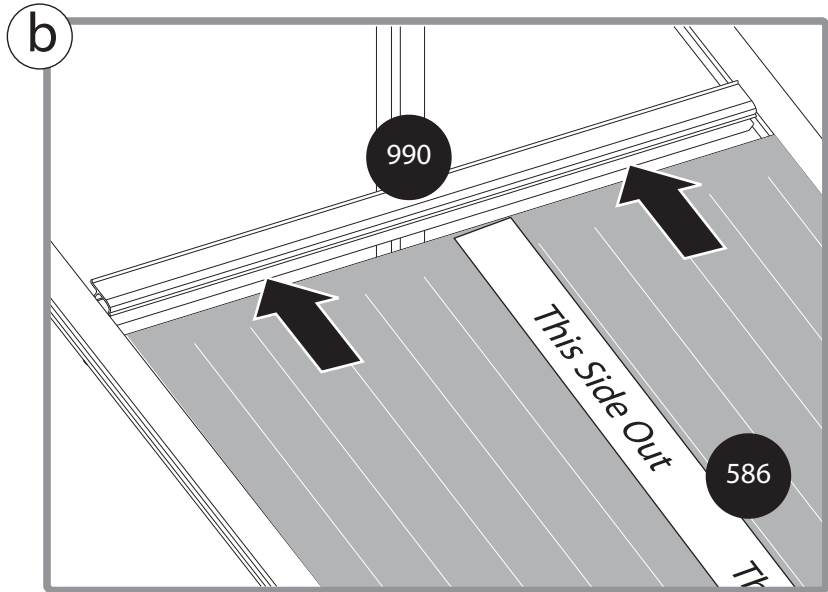
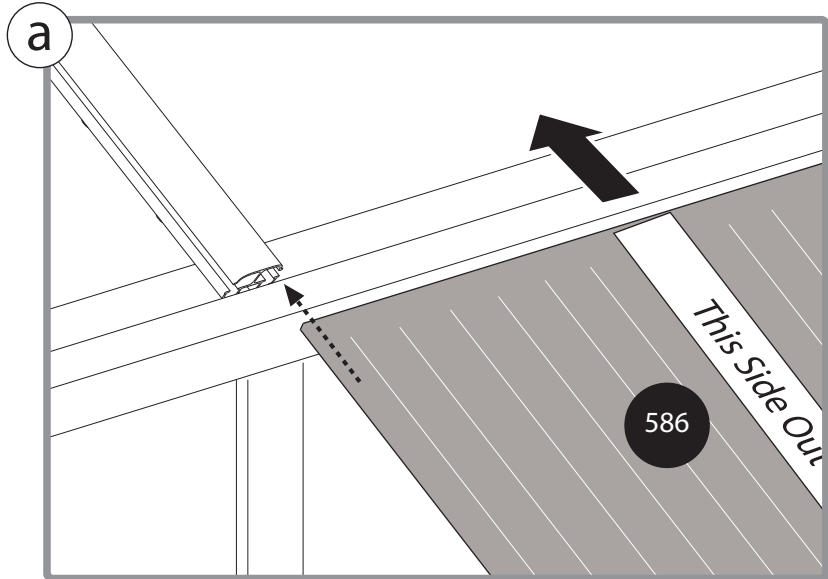
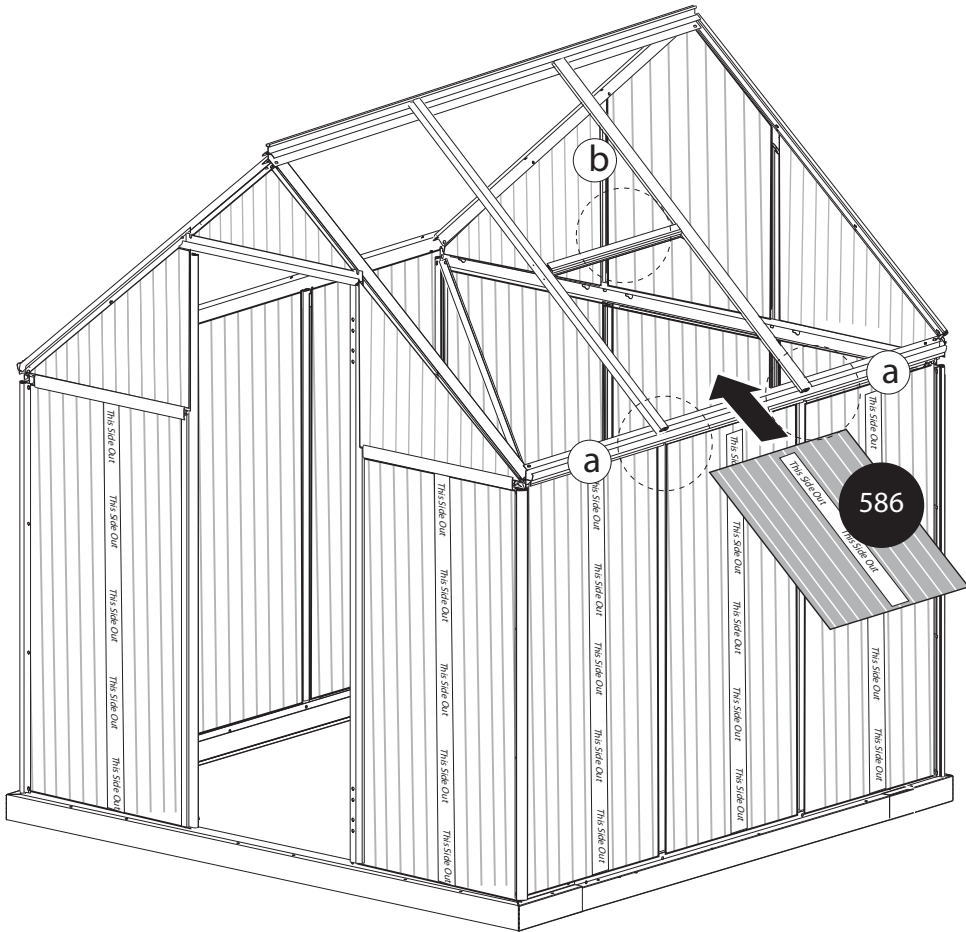
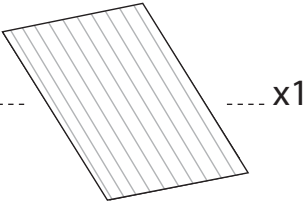
412  x2

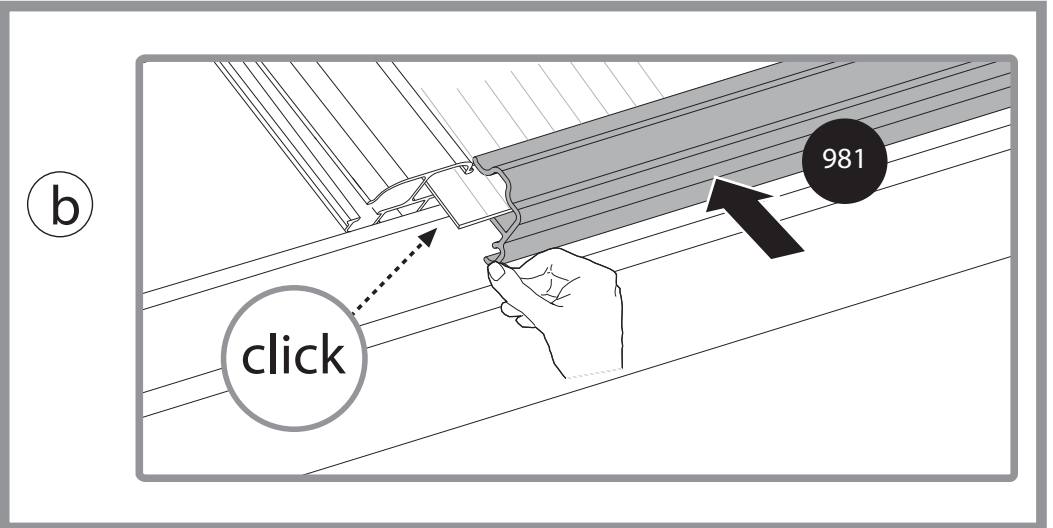
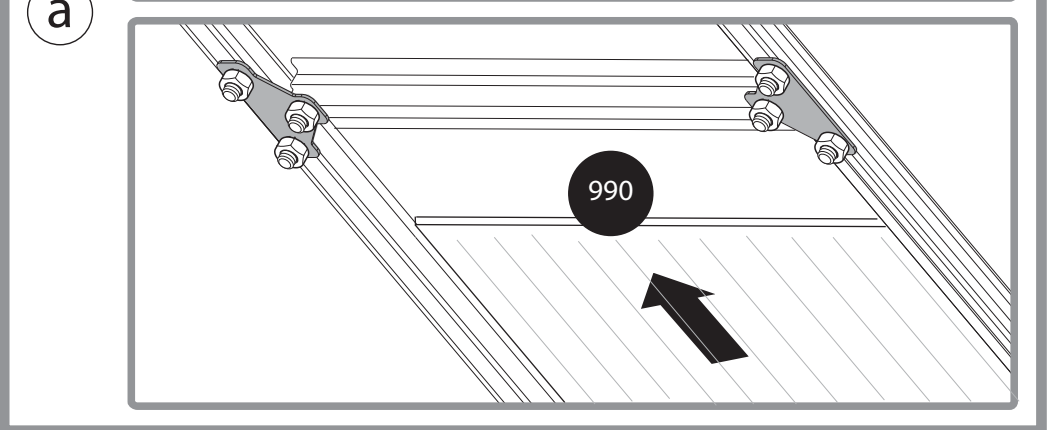
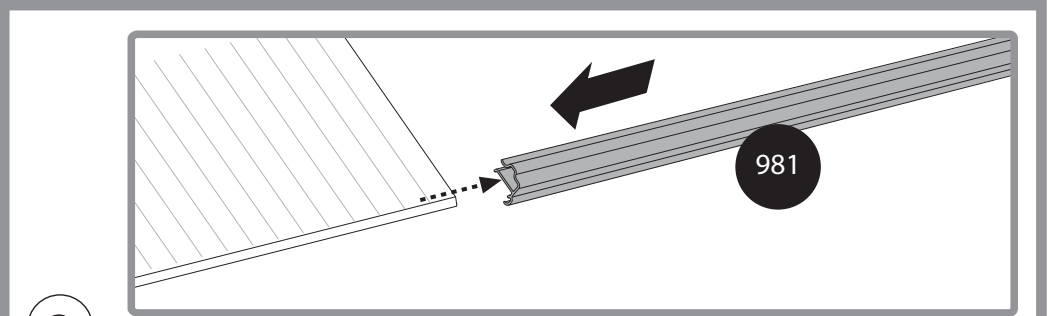
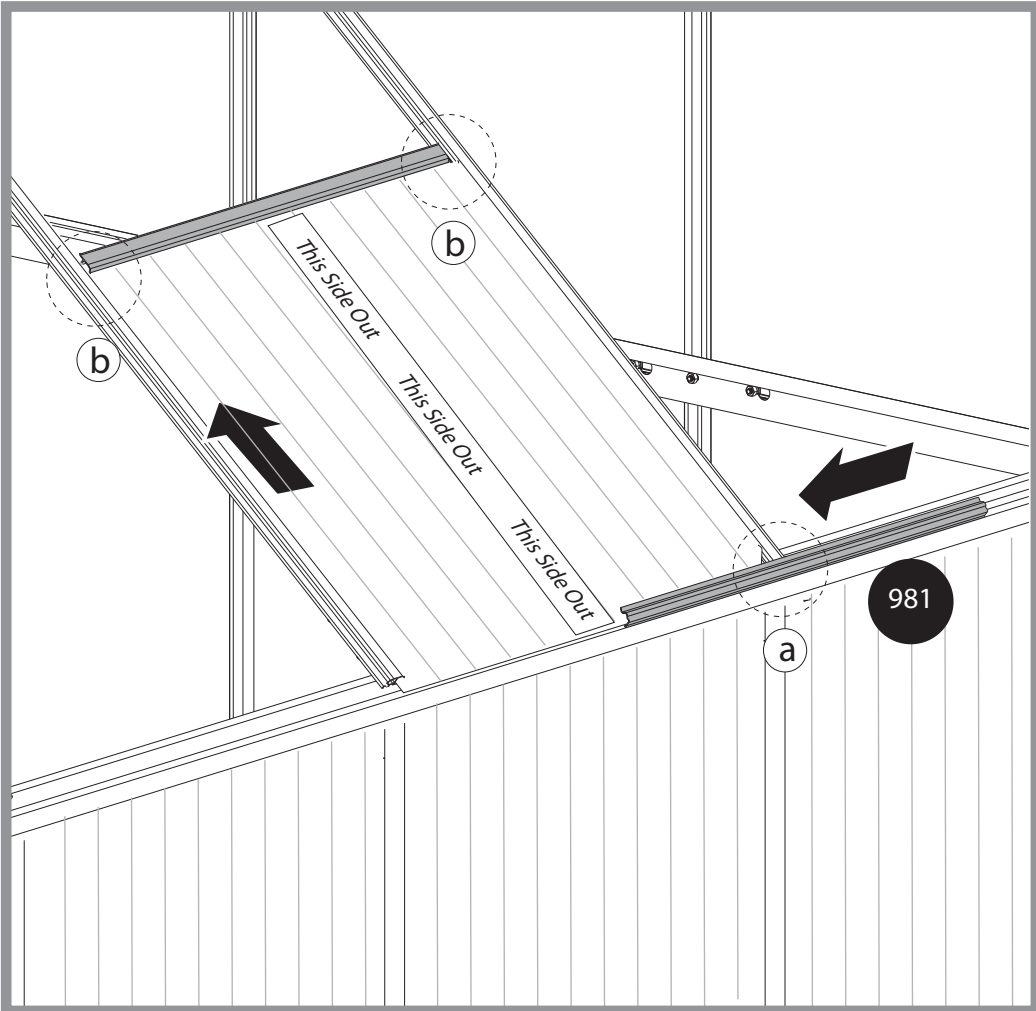
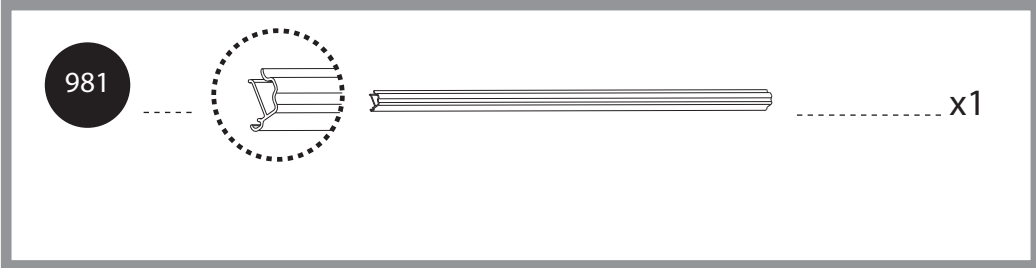
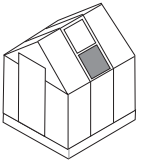






586

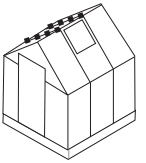




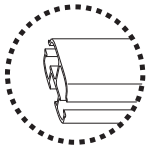


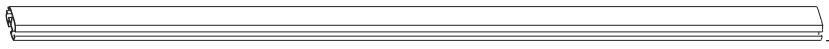
412 

411 



993




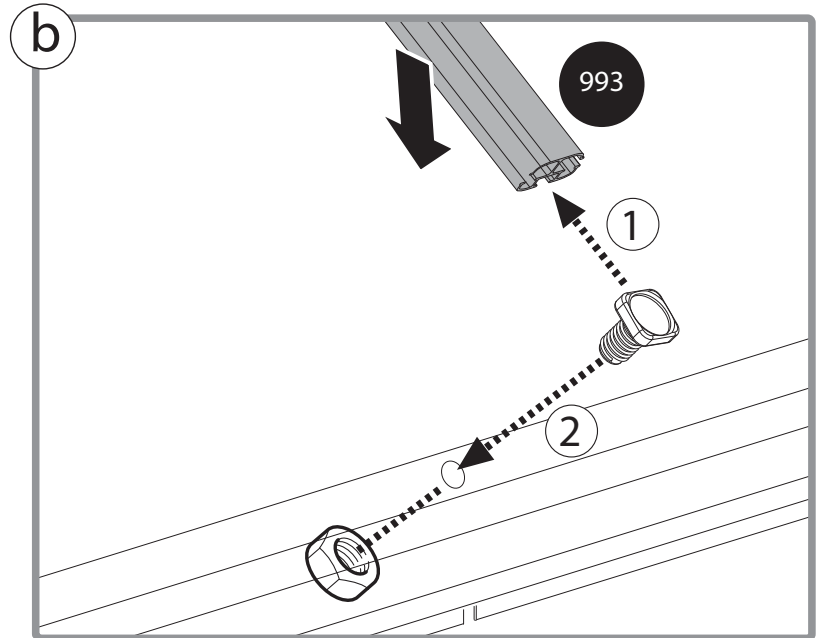
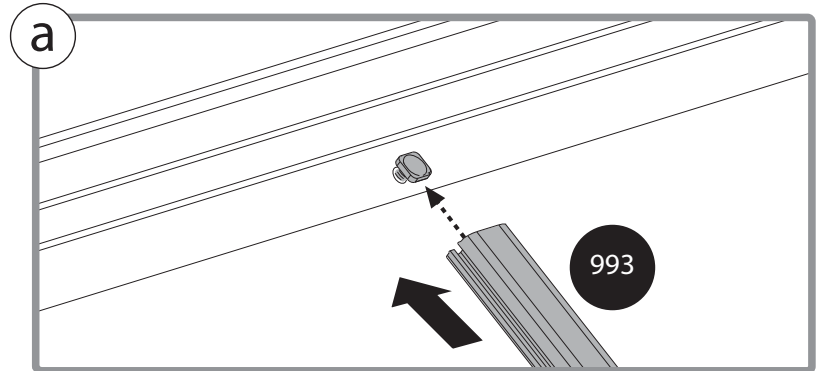
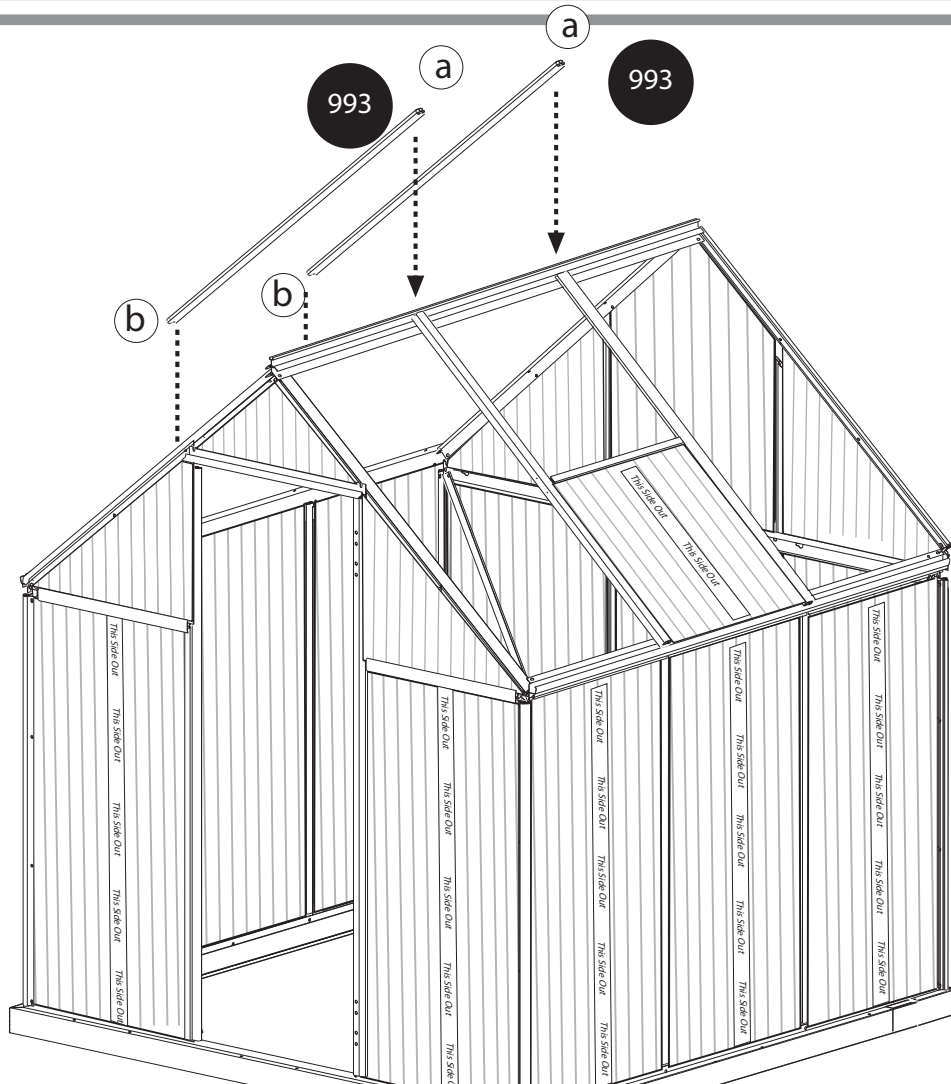
 x2

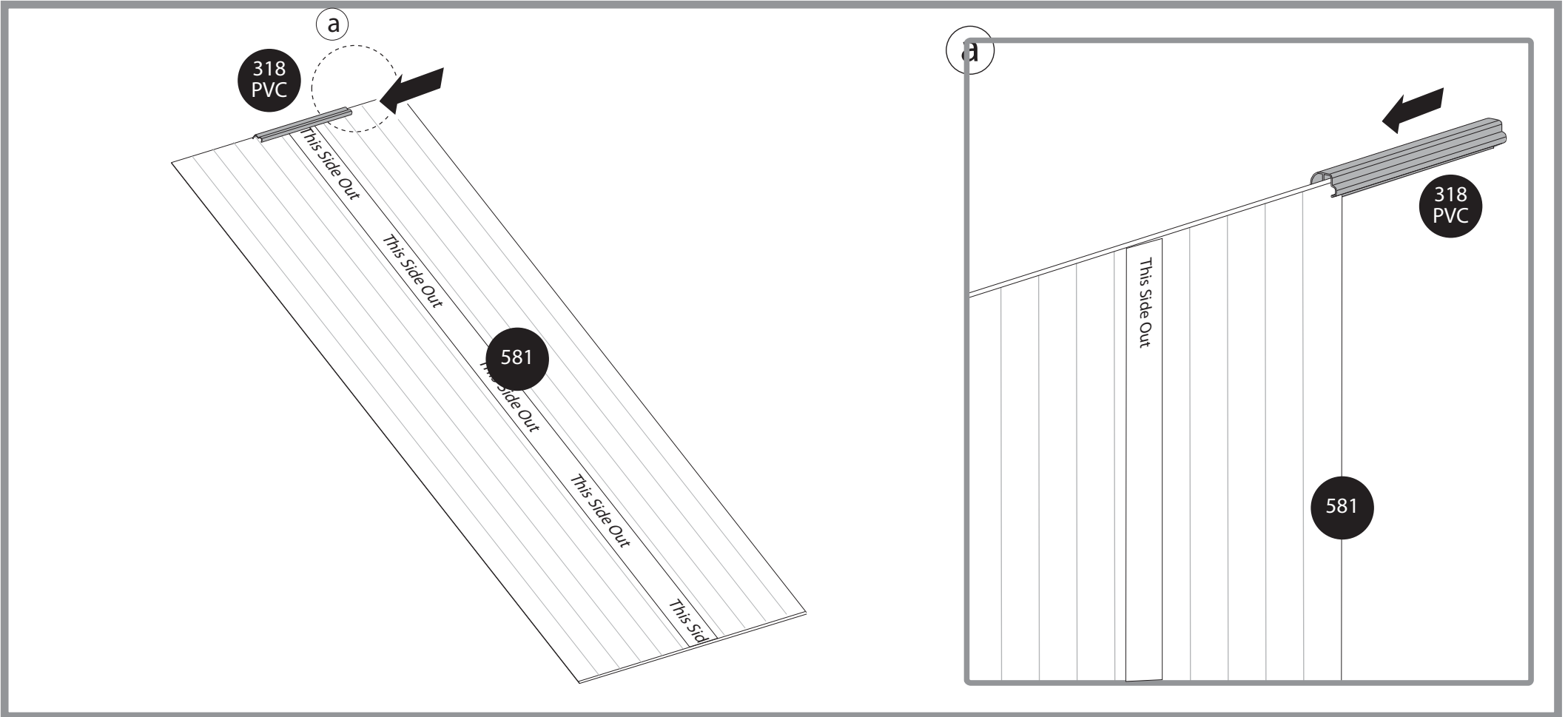
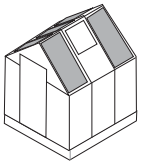
411

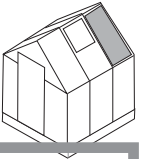
 x4

412

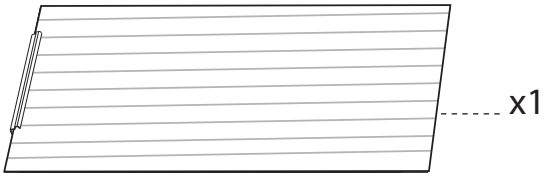
 x4



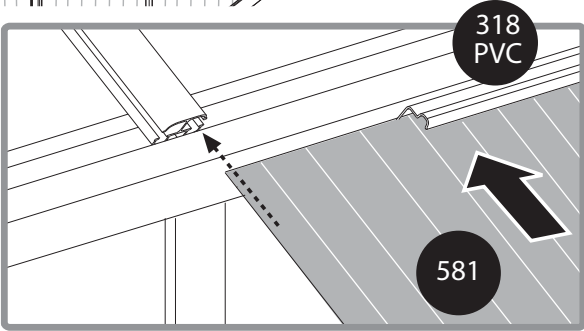
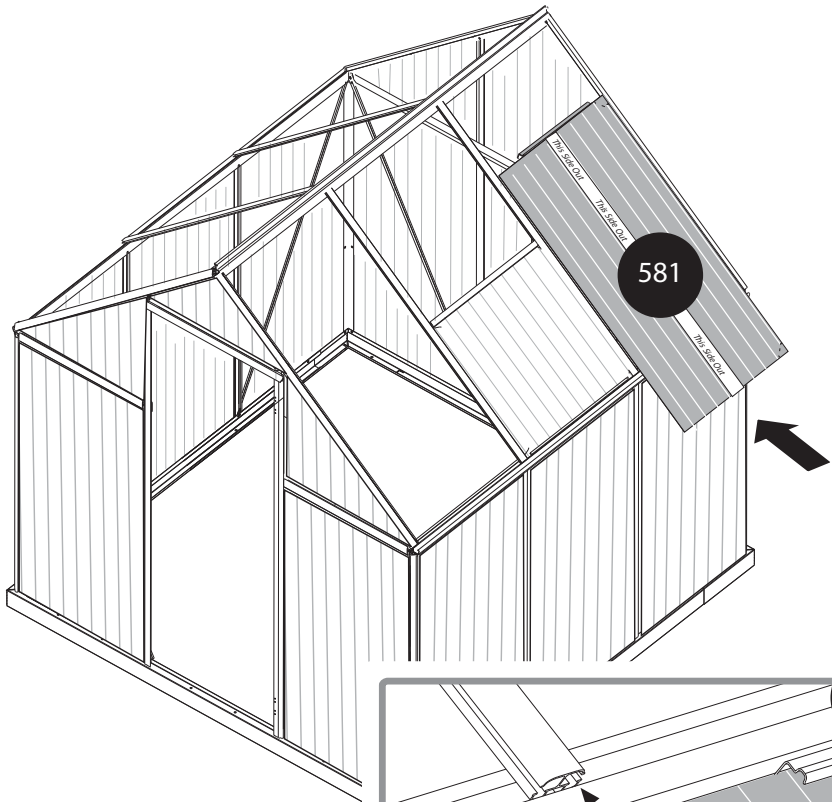




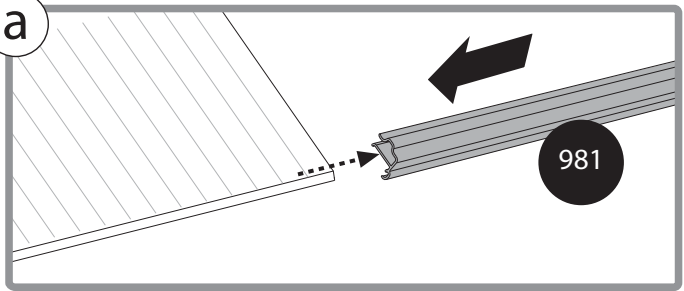
581



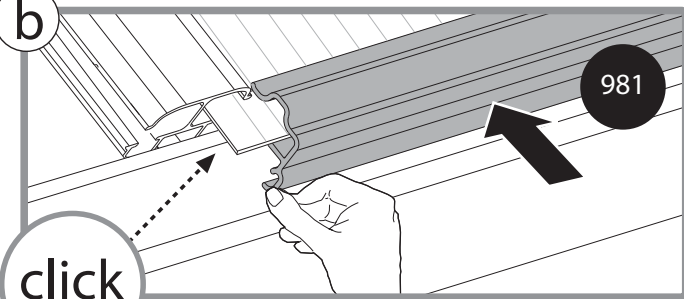
981



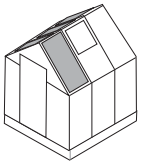
a



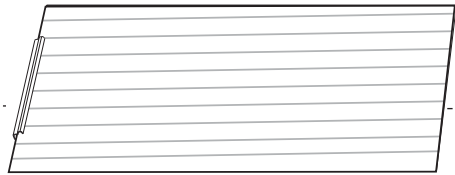
b



click

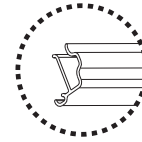


581

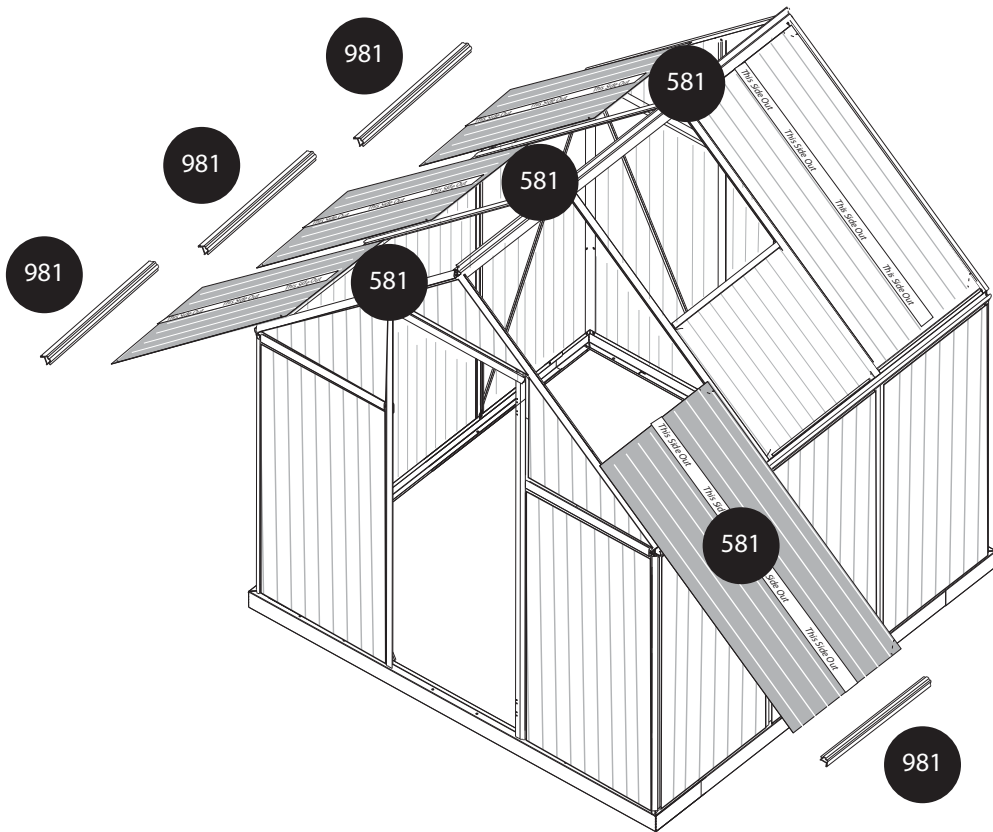


x4

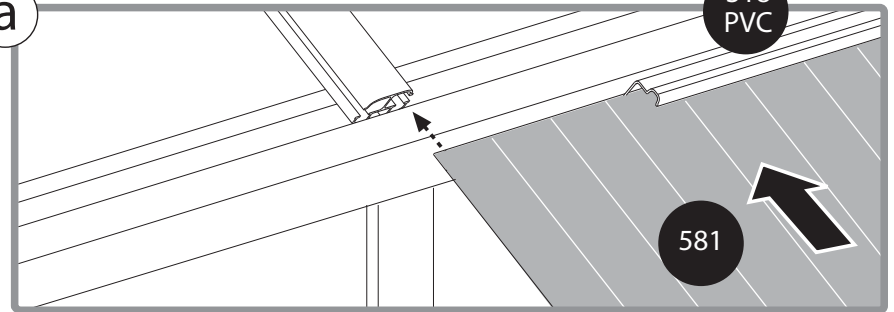
981



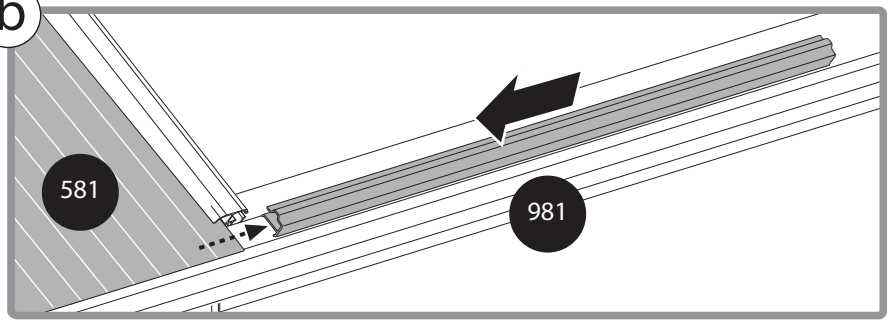
x4



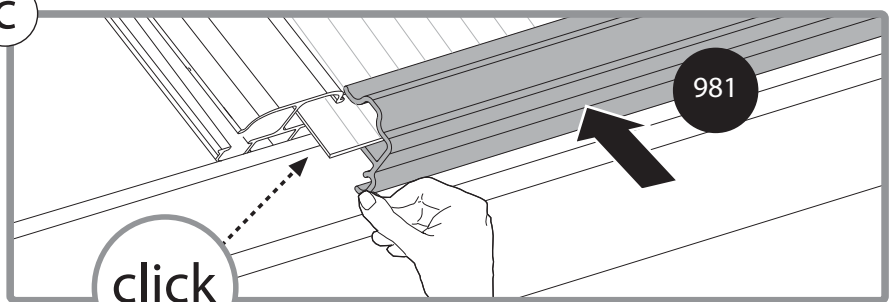
a



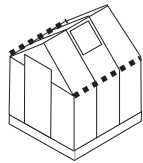
b



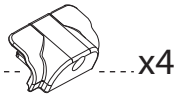
c



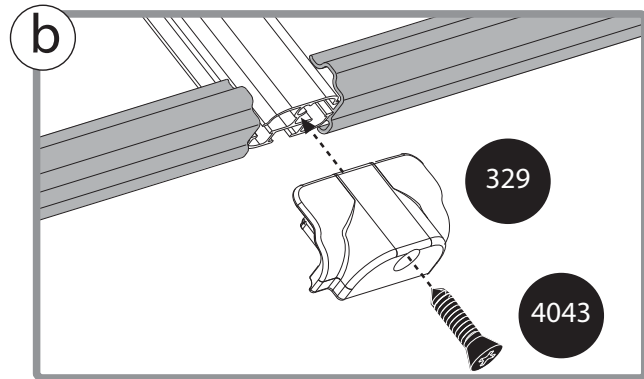
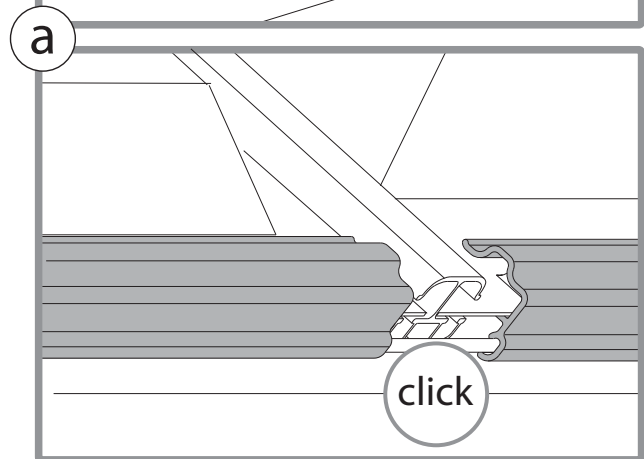
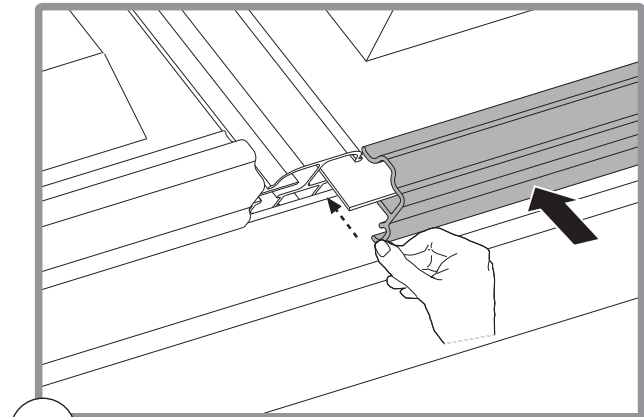
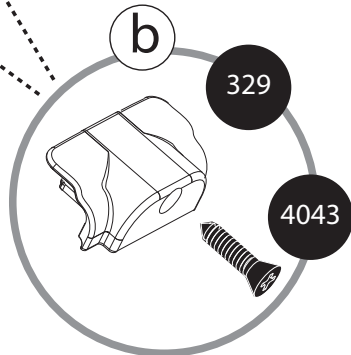
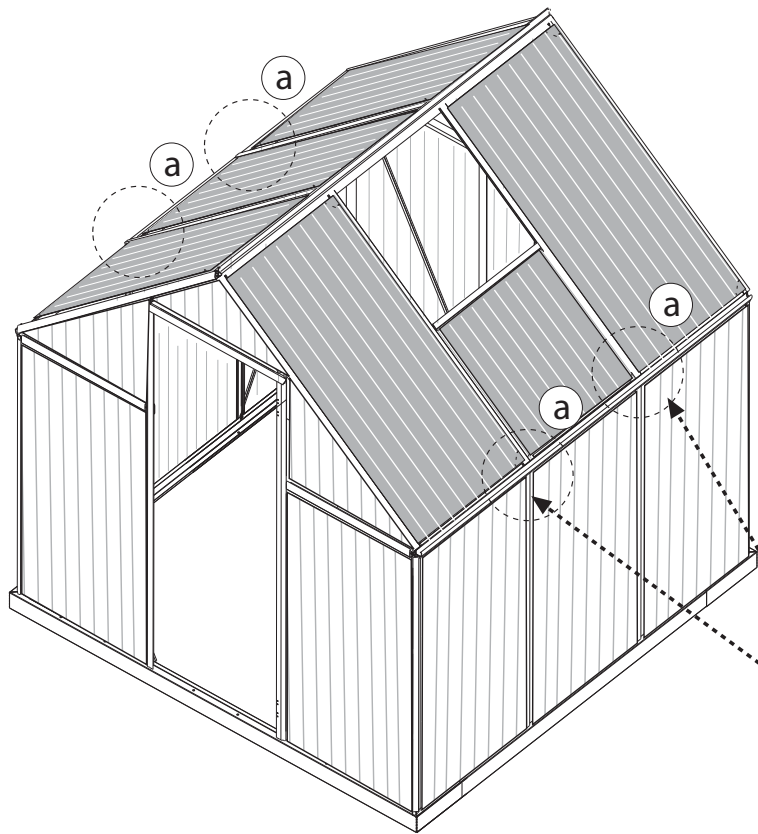
click

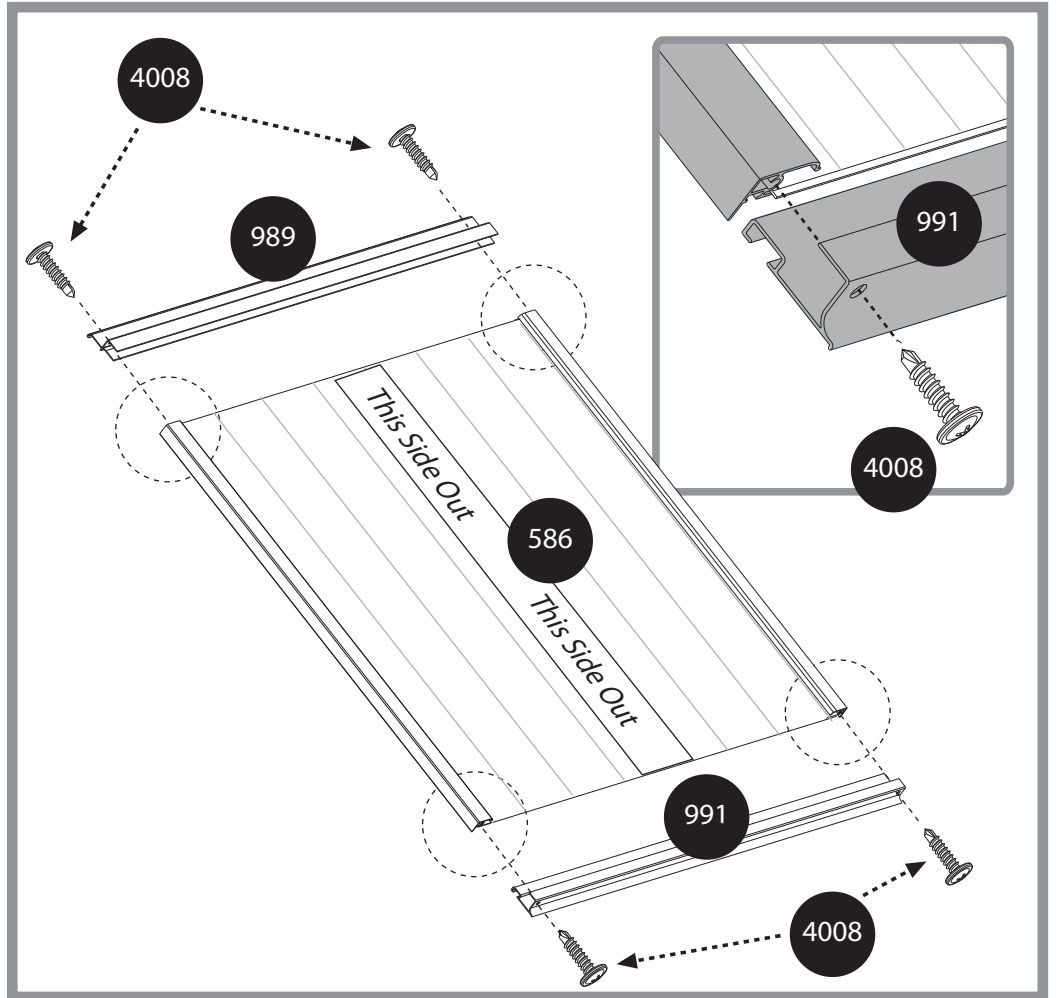
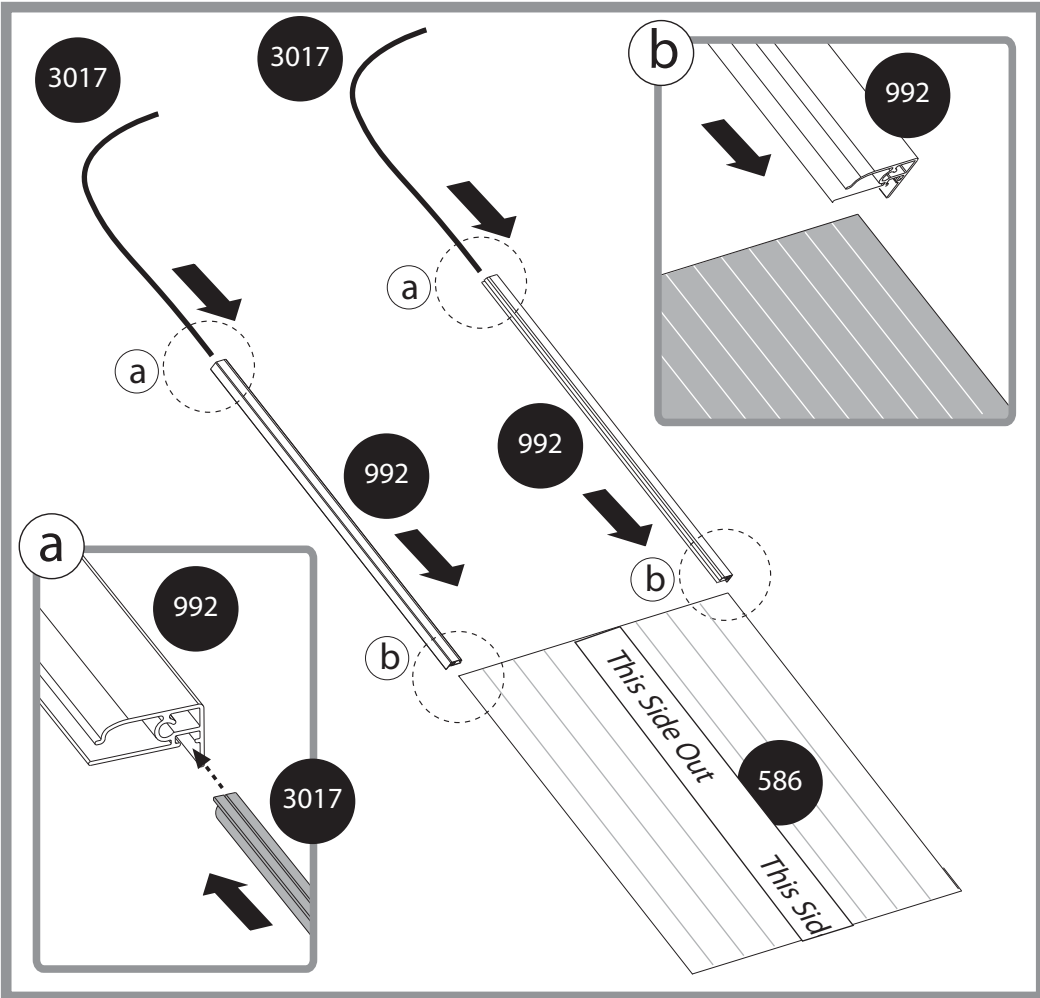
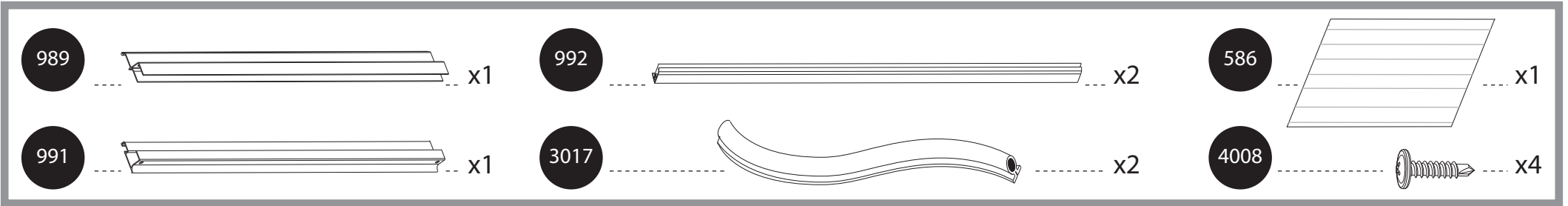
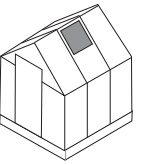


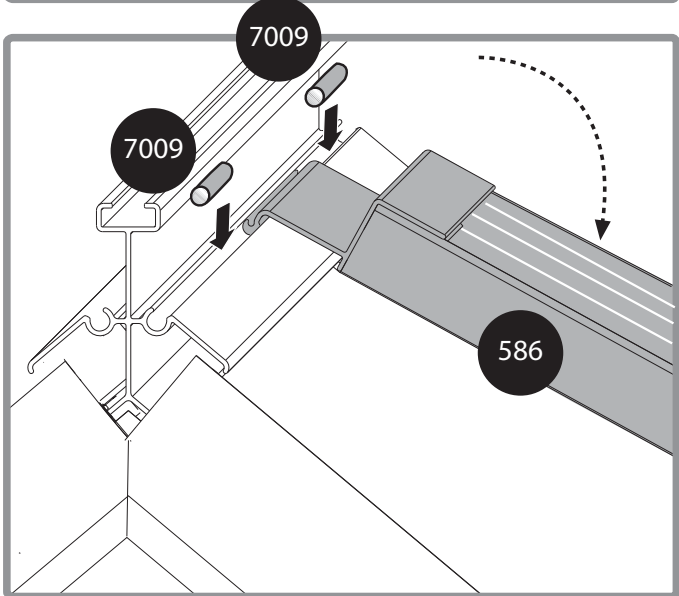
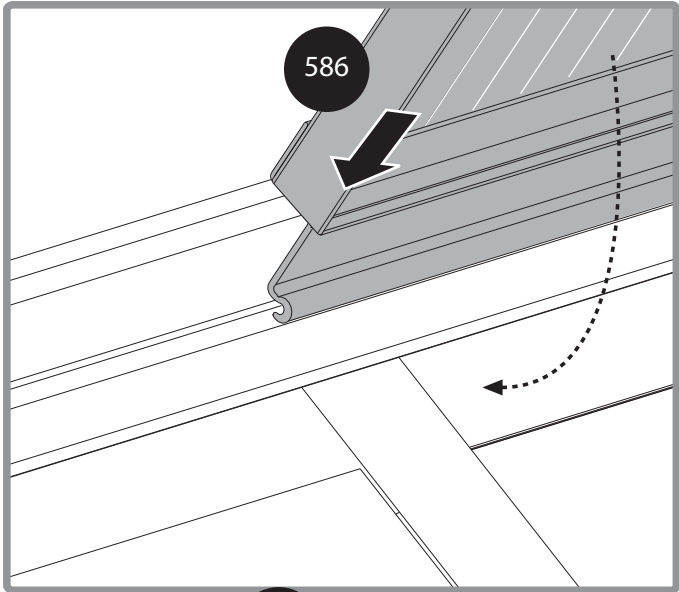
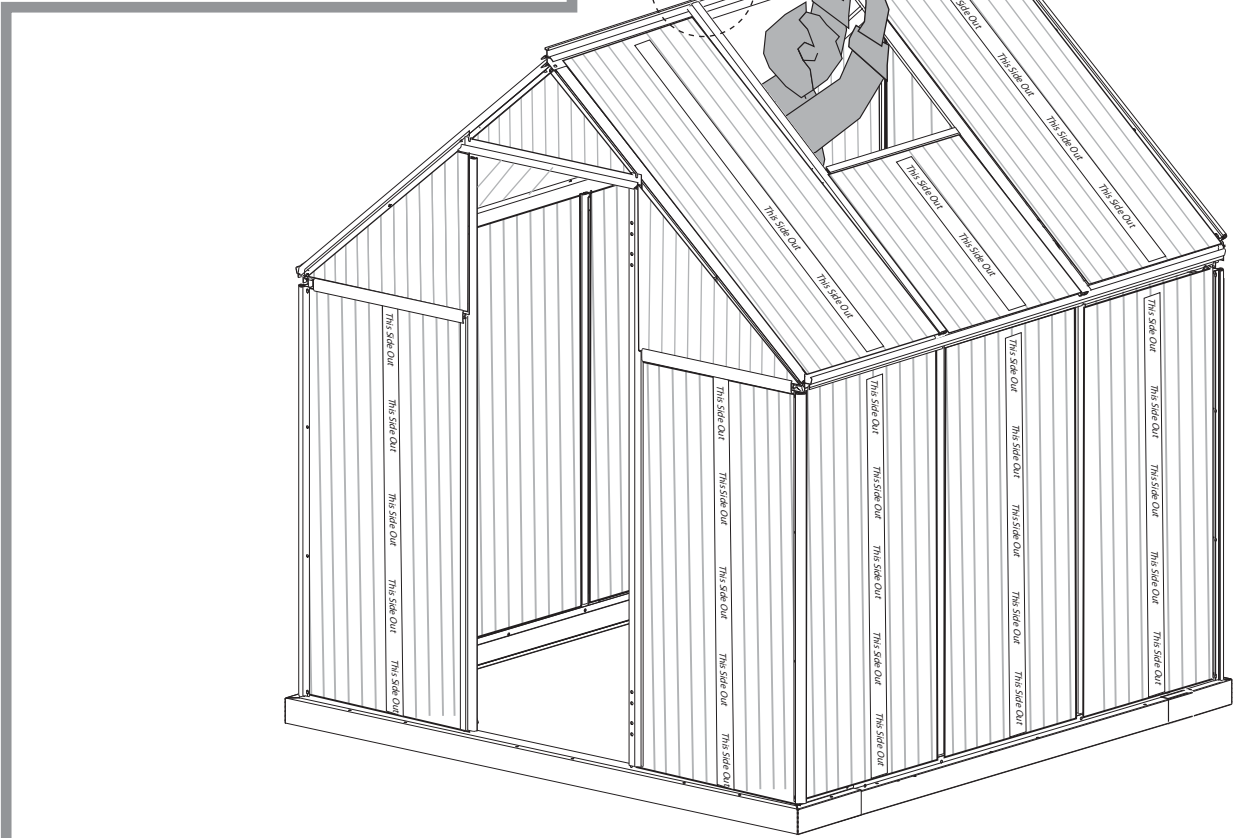
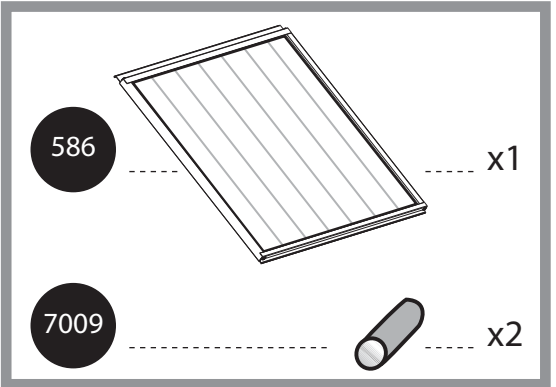
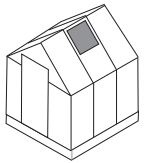
329

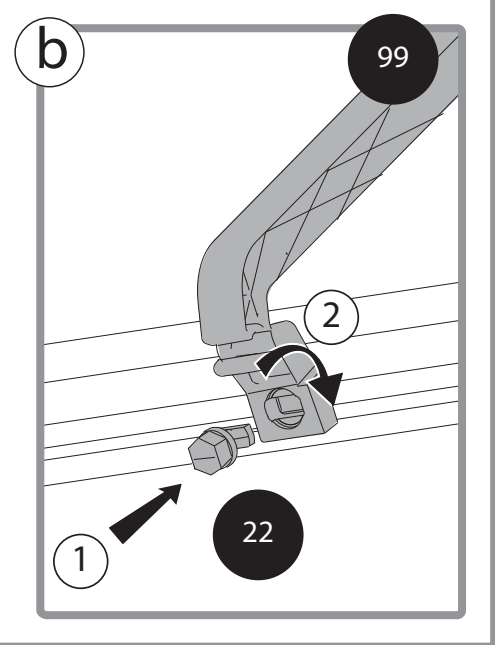
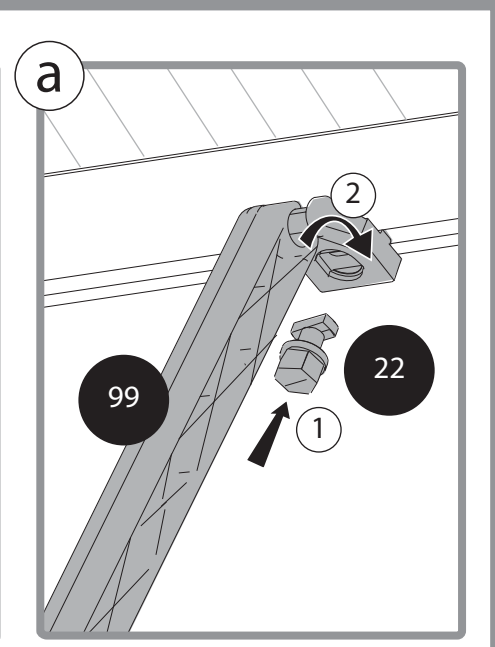
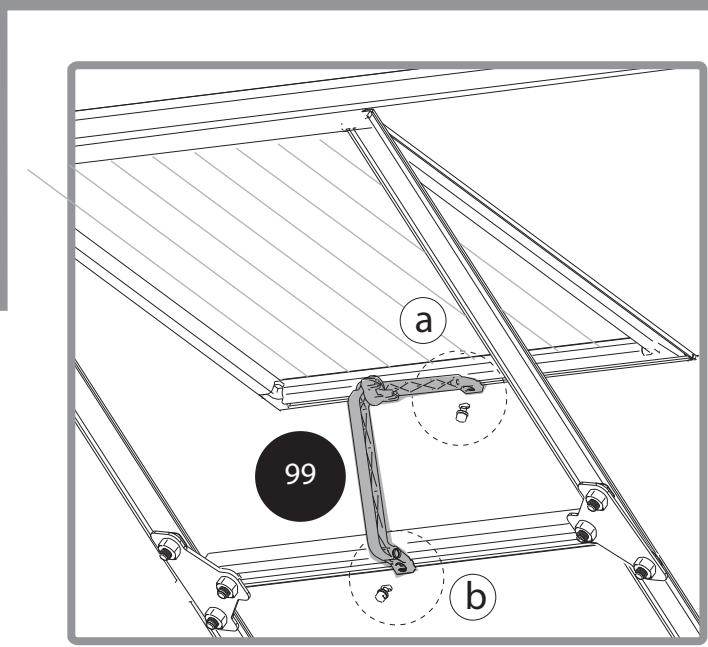
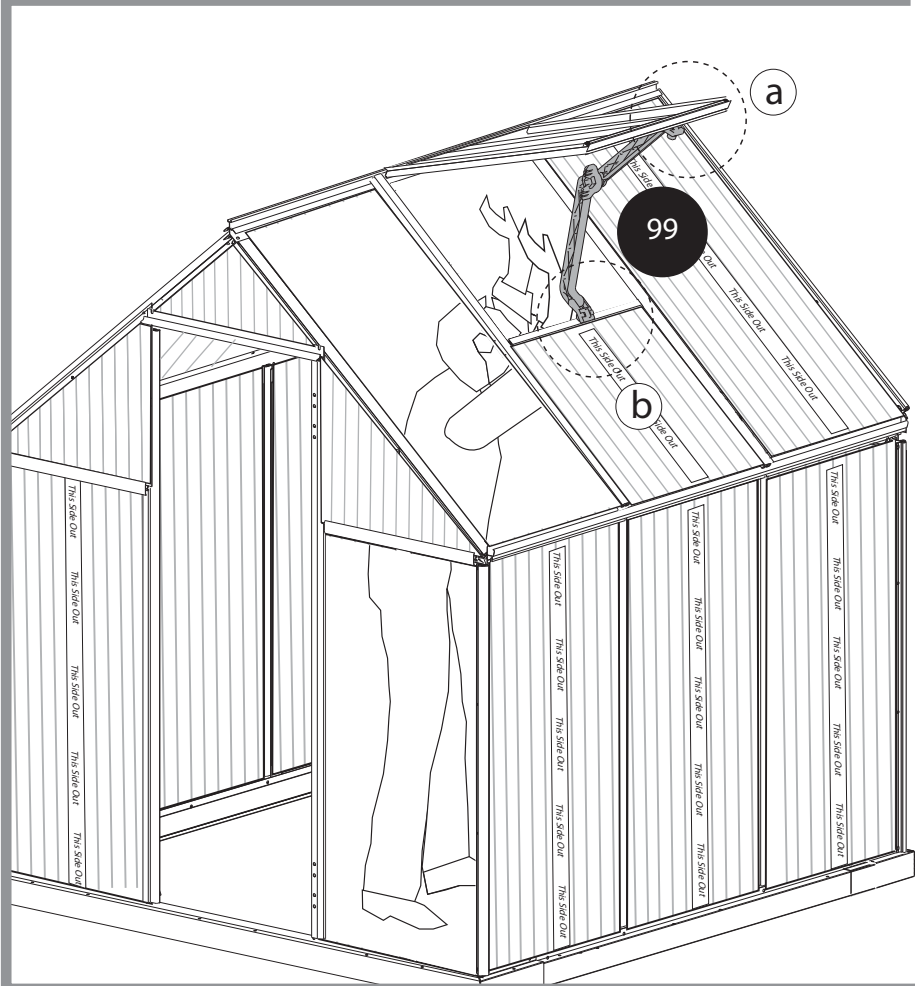
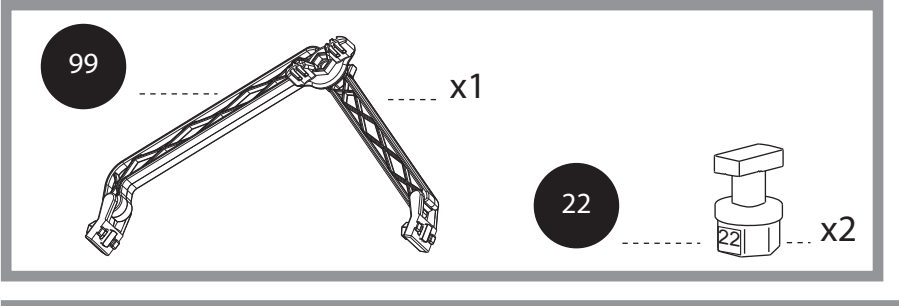
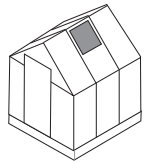


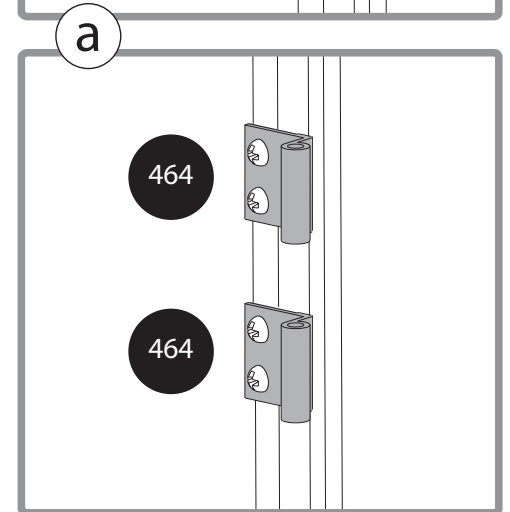
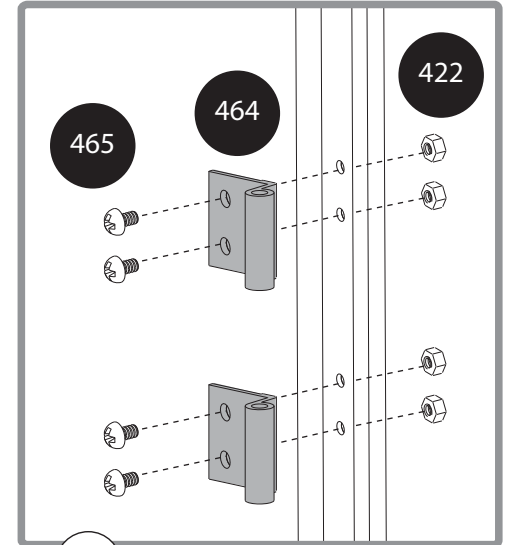
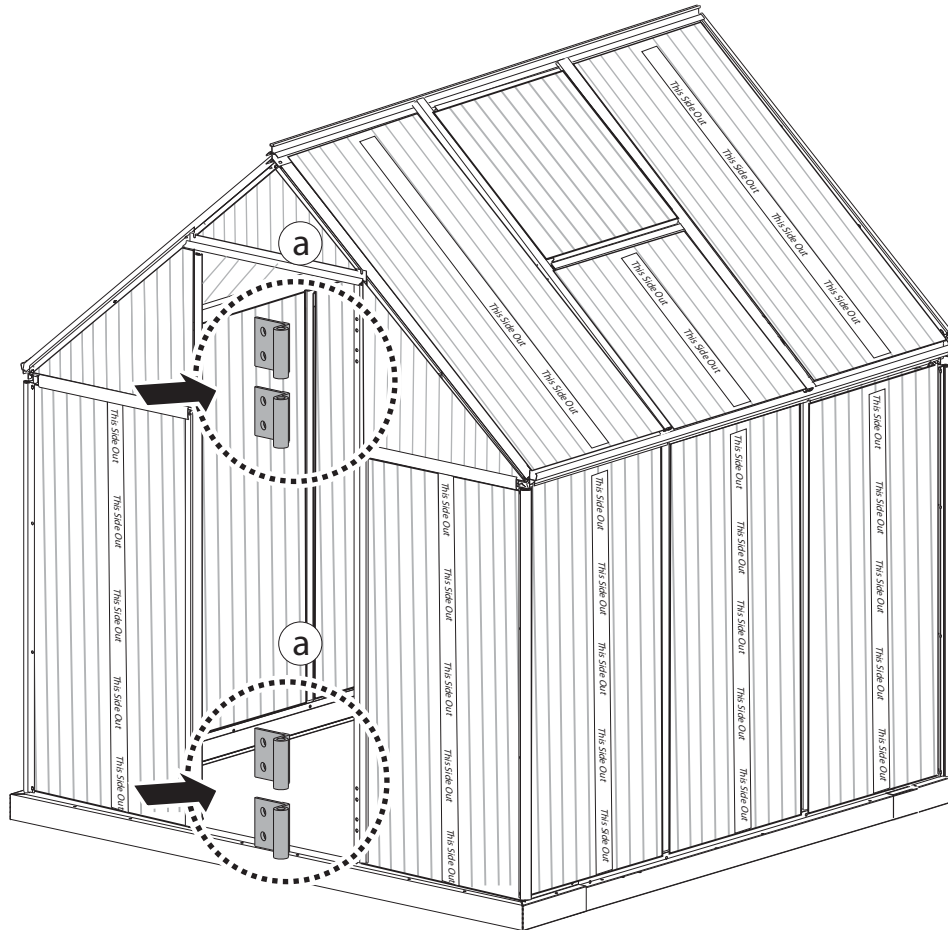
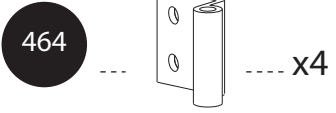
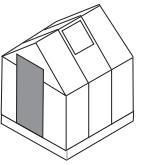
4043

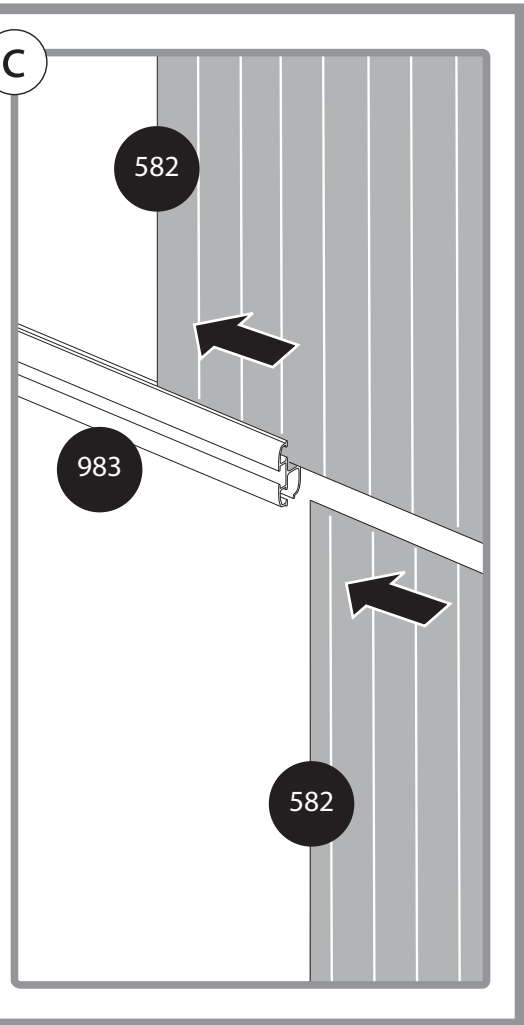
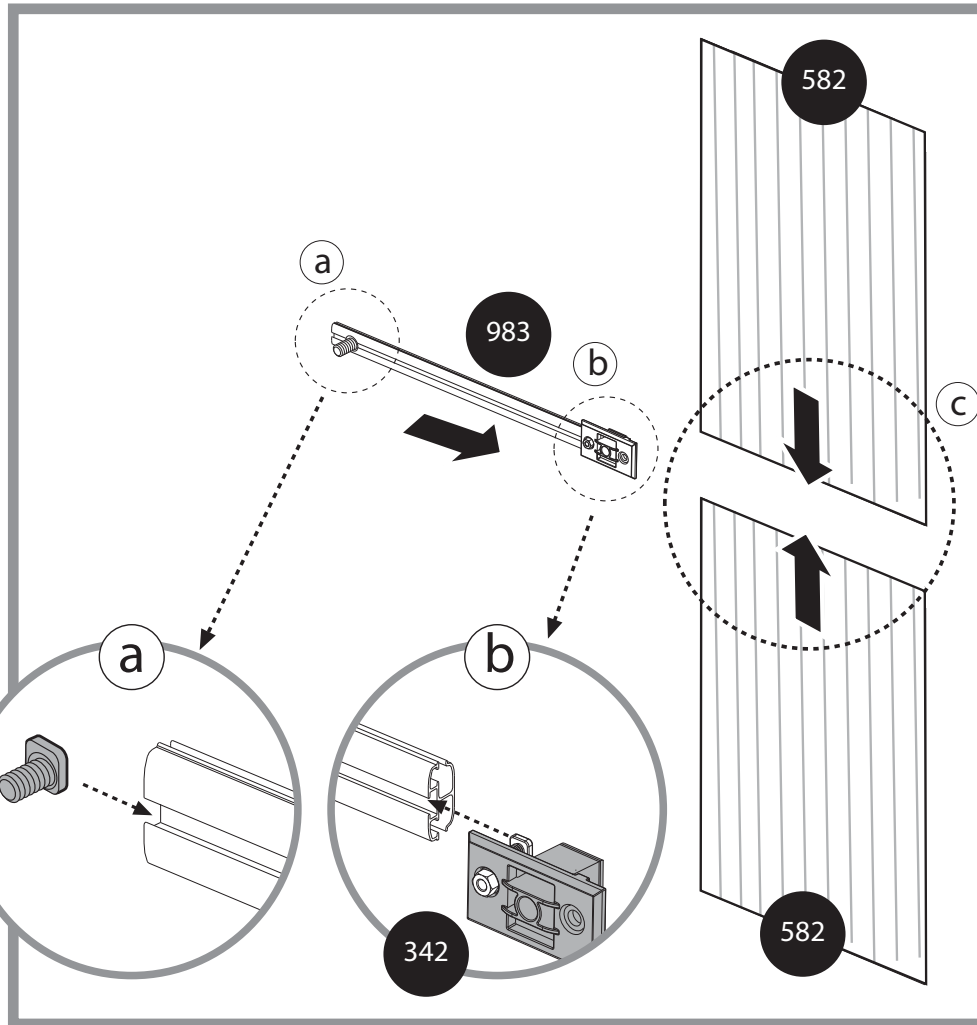
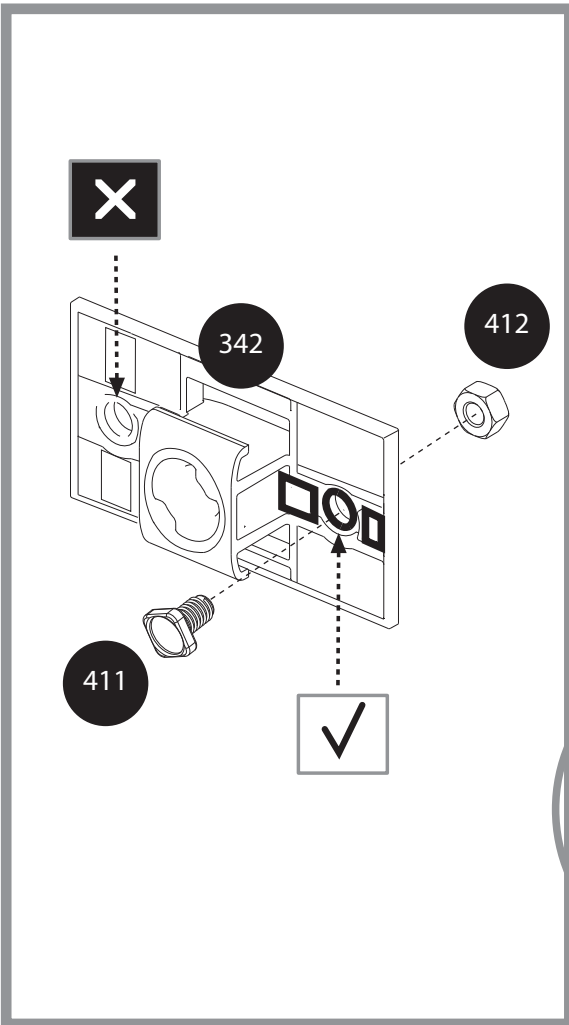
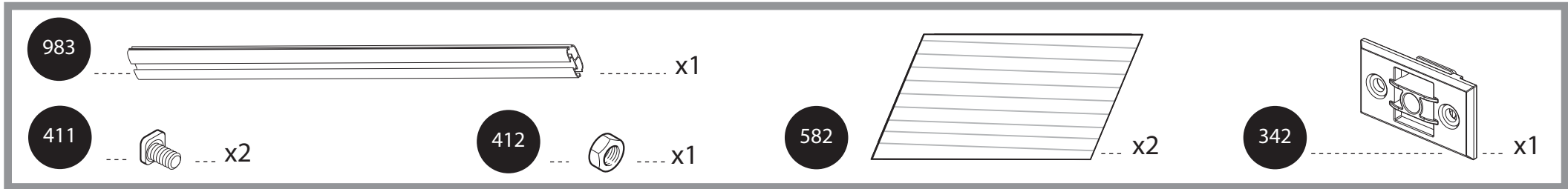
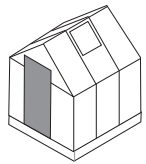


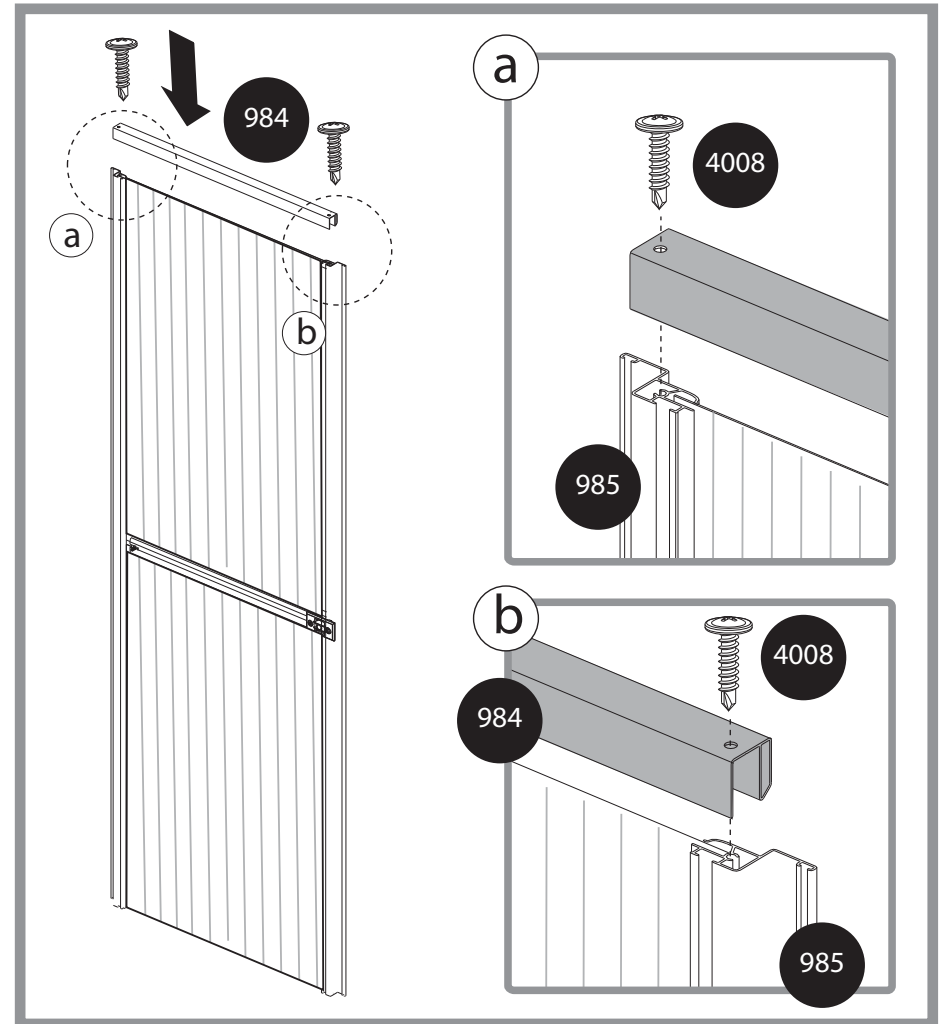
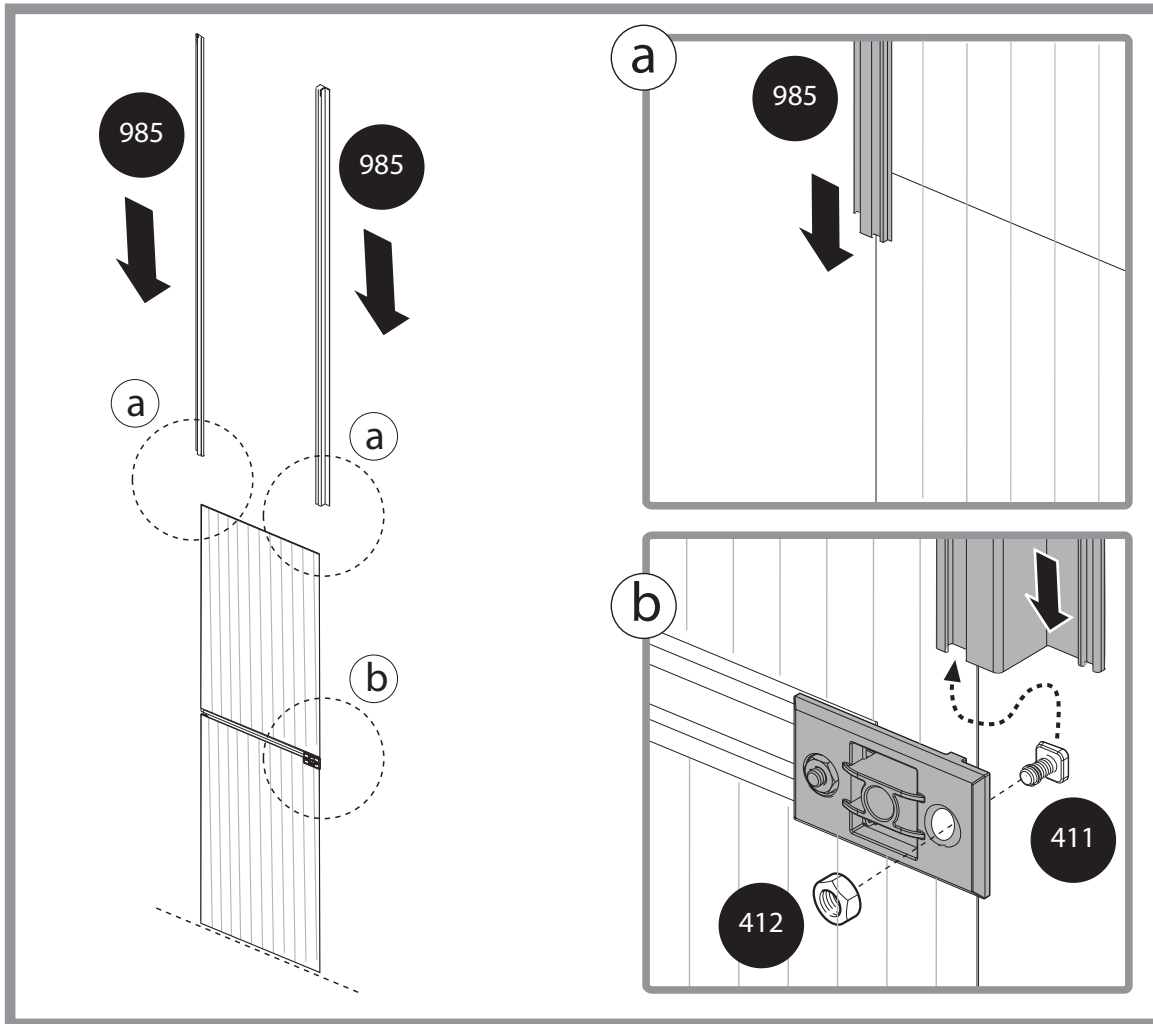
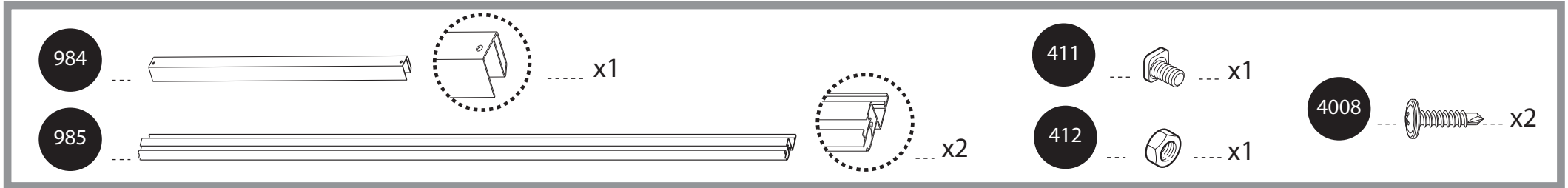
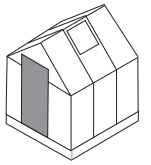


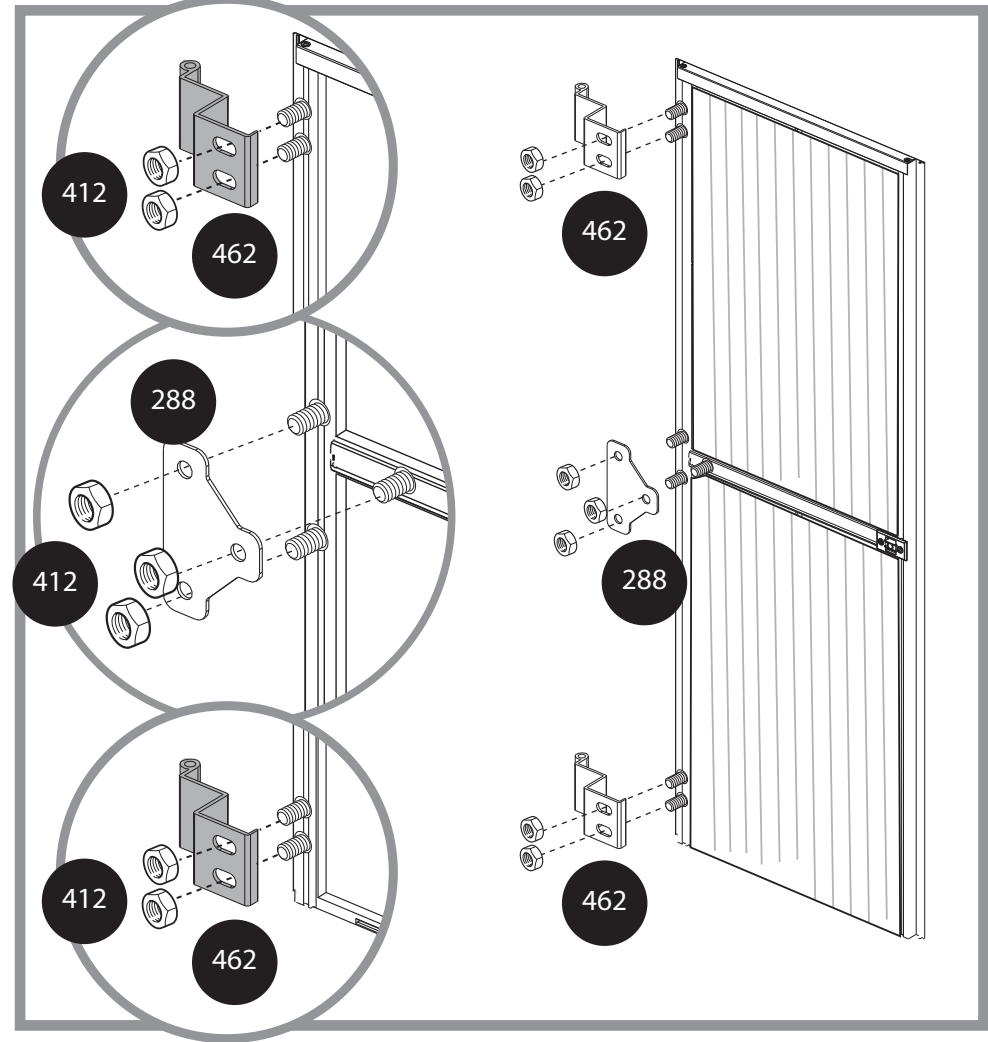
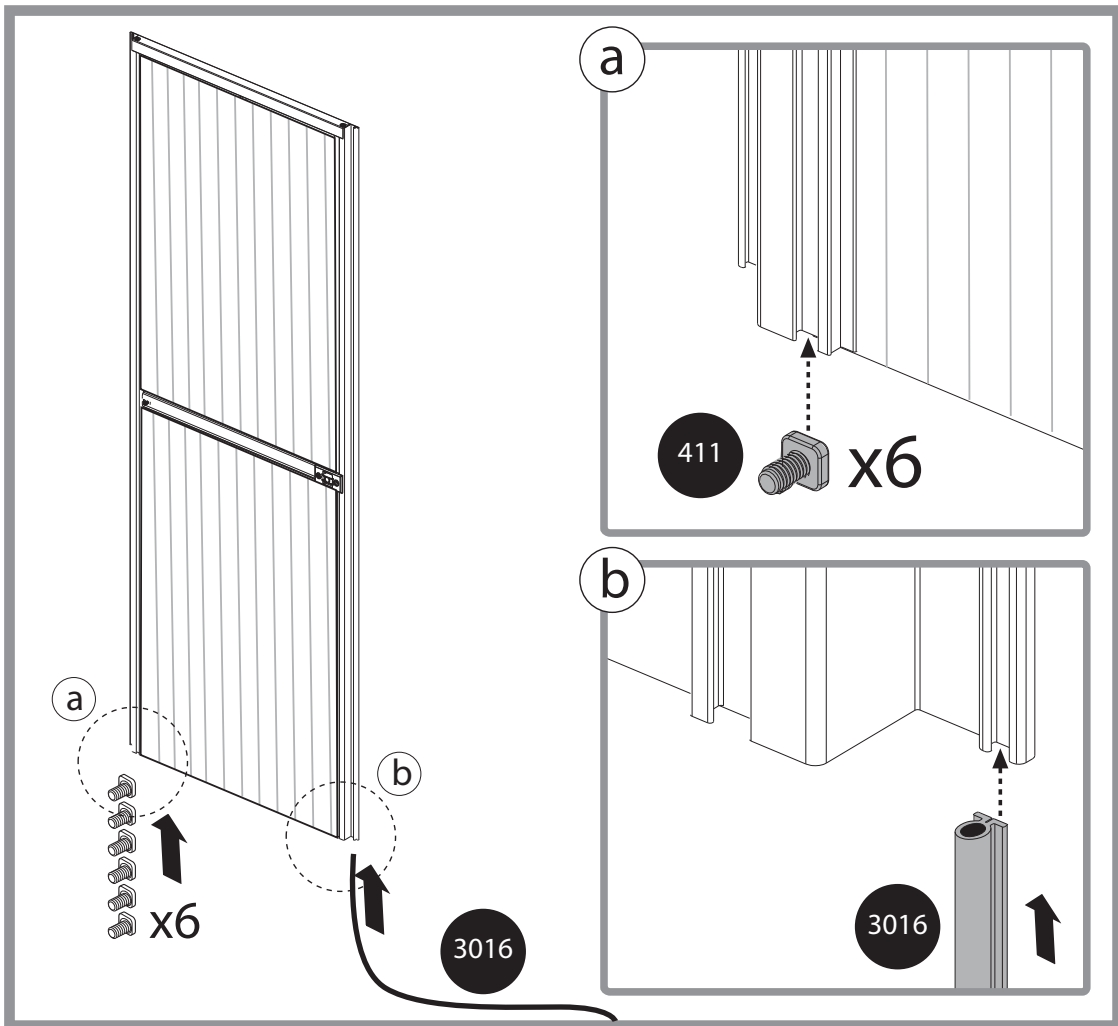
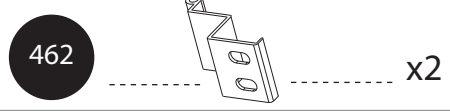
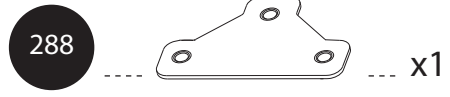
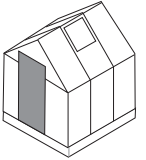


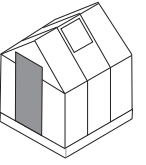










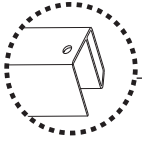
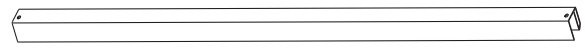


4008

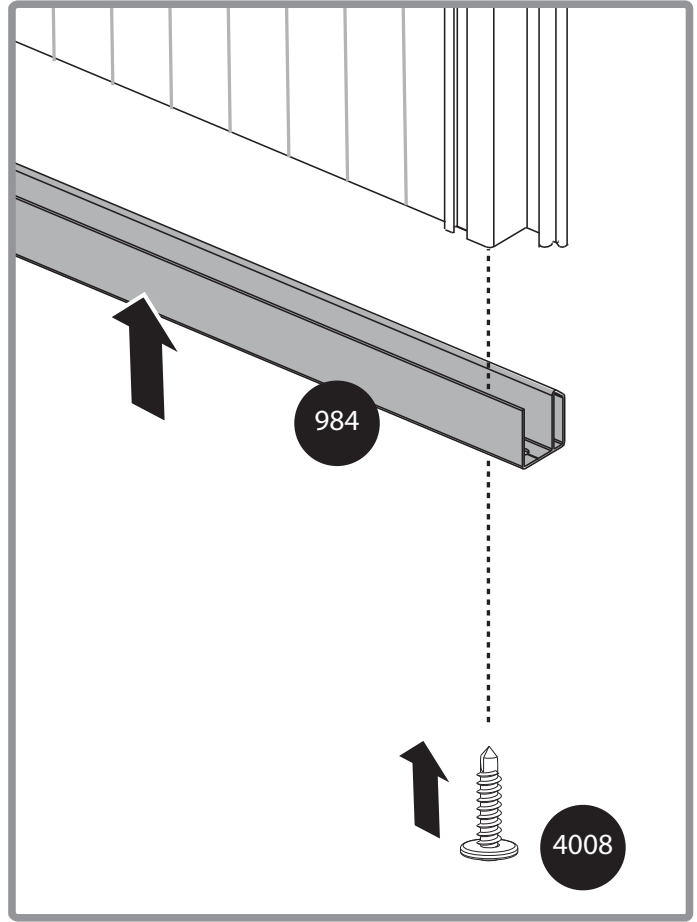
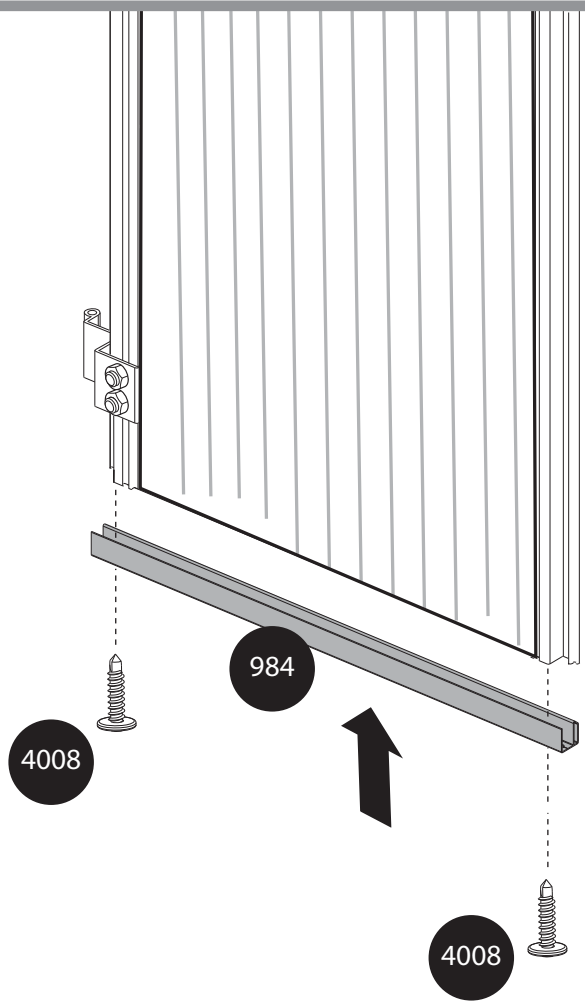


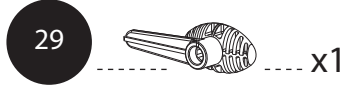
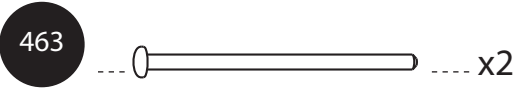
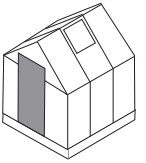
x2

984

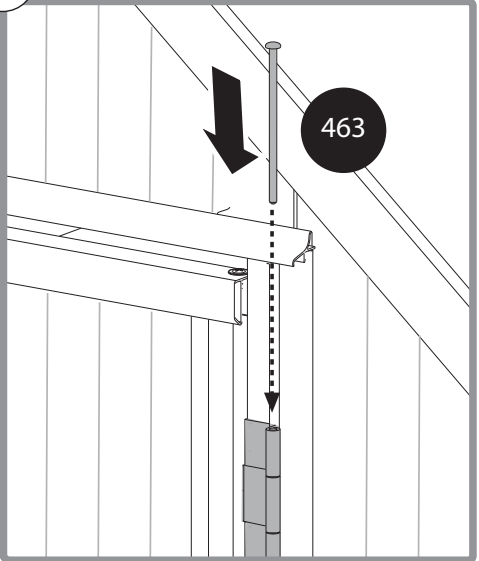
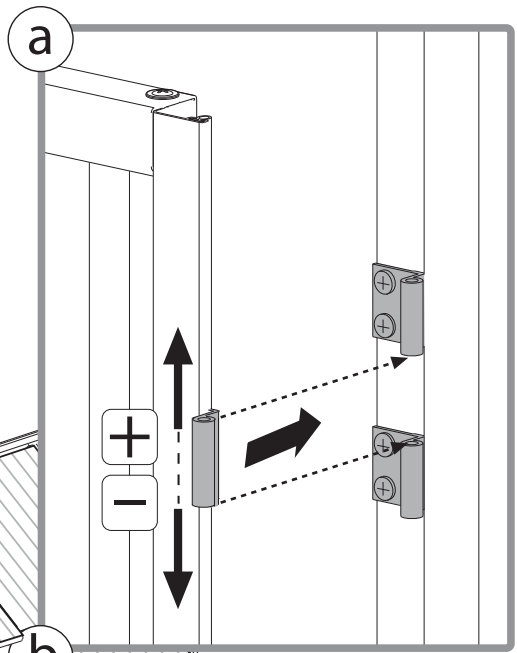
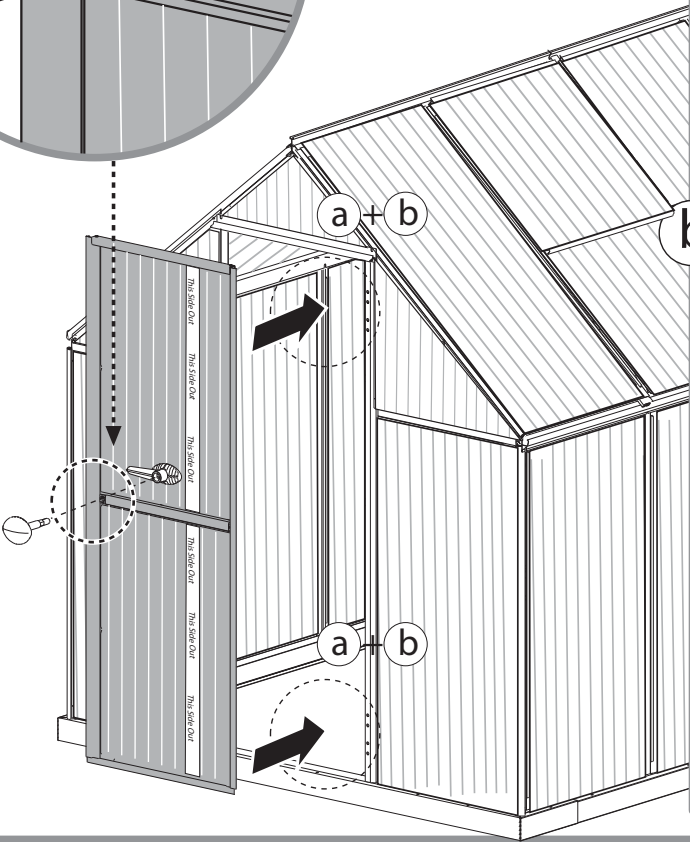
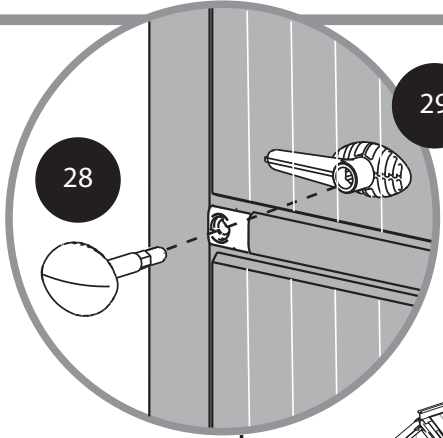
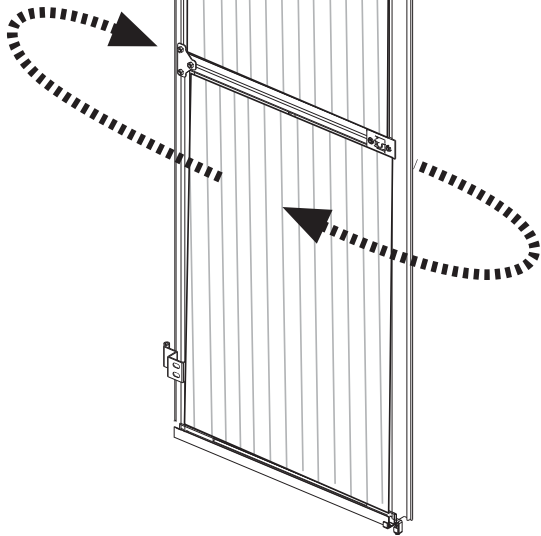


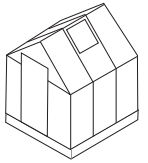
x1



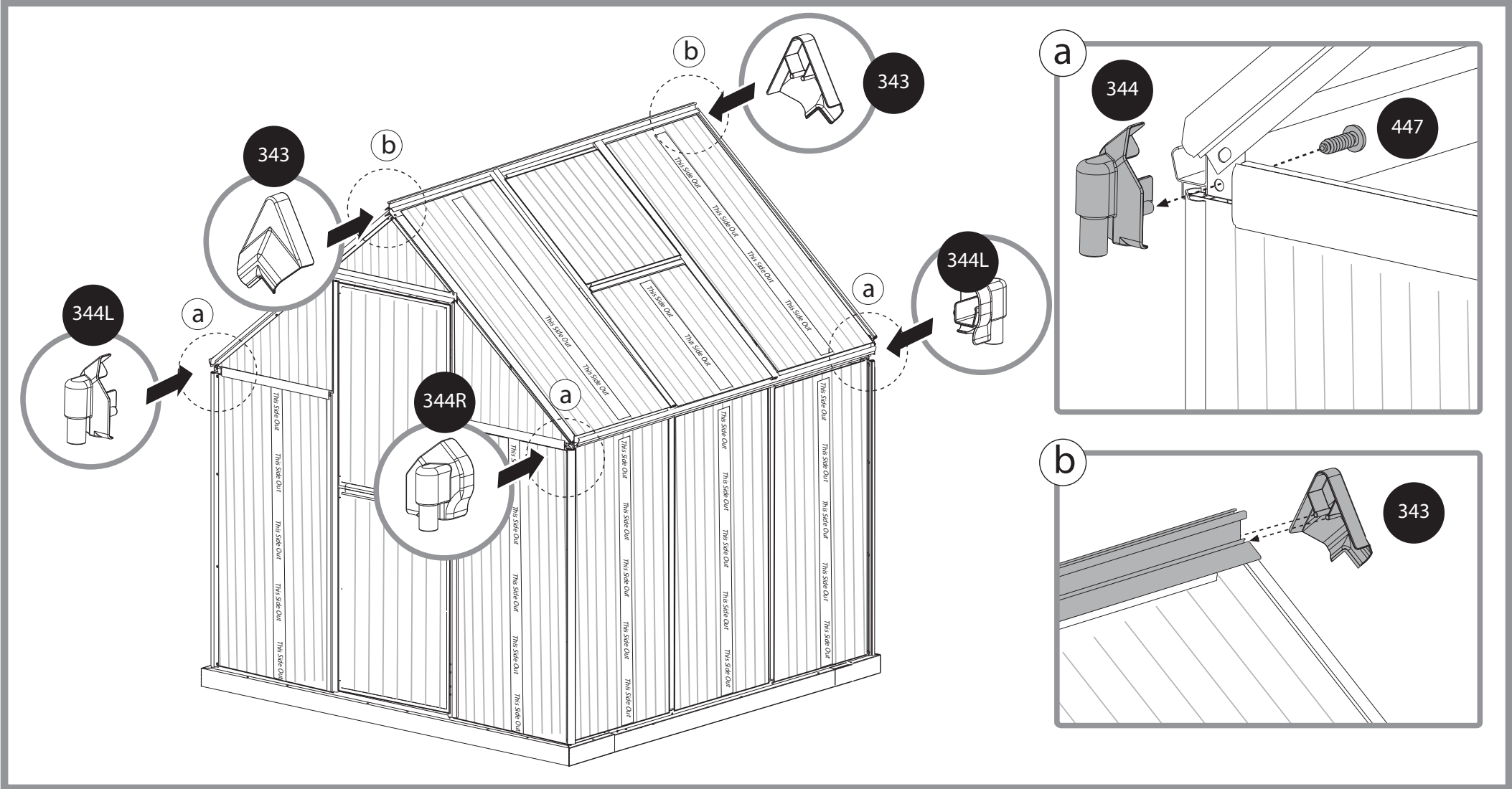


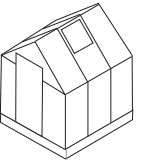
180°



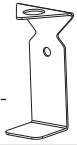


344L x2 344R x2 343 x2 447 x4





4037



x1

413



x1

425



x1

412

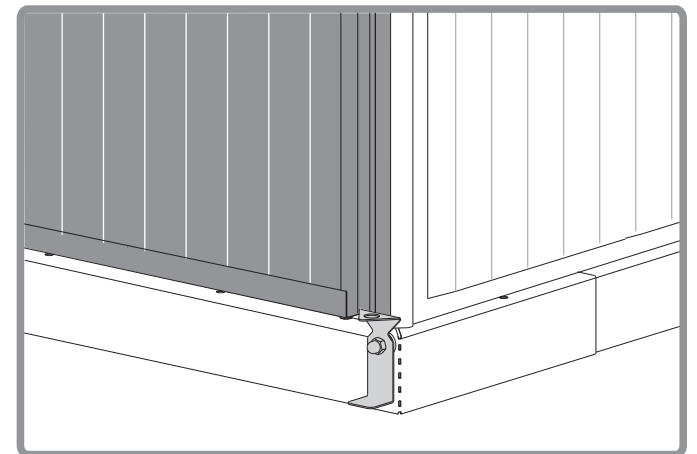
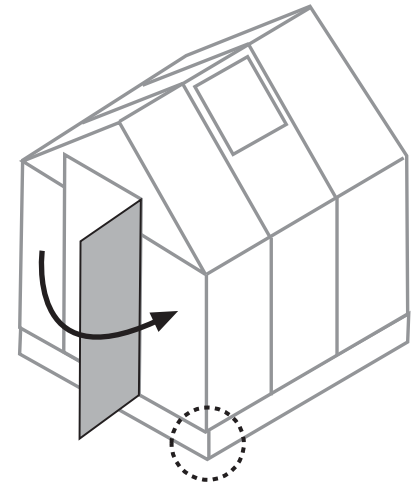
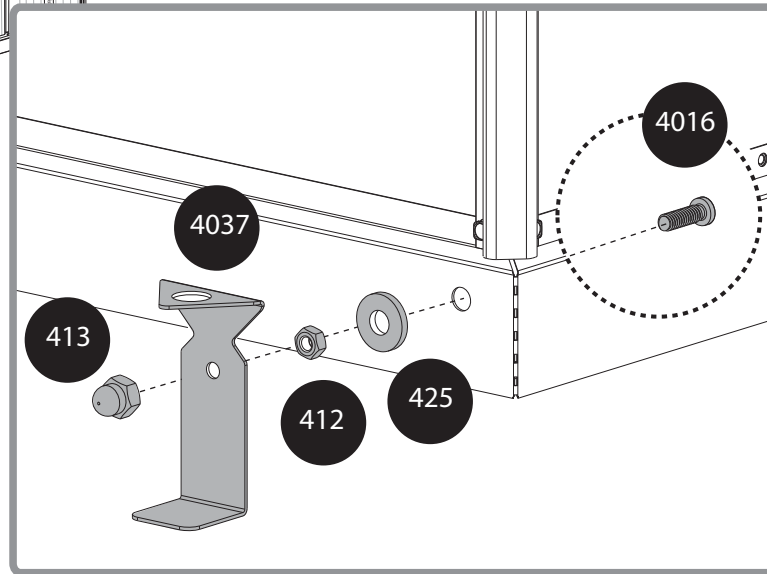
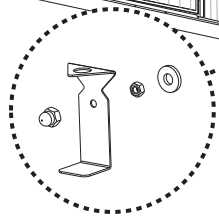
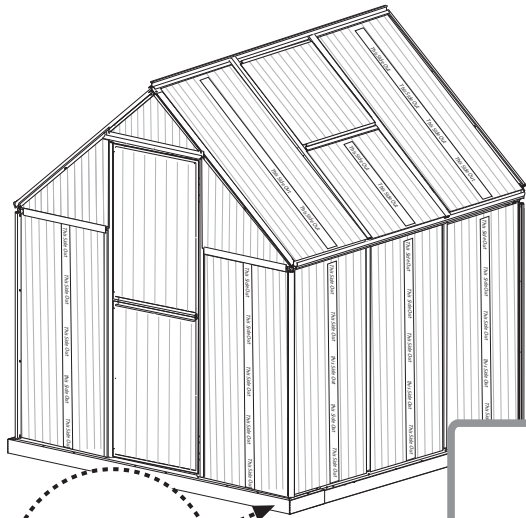


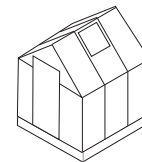
x1

4016

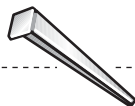


x1



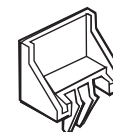


M96



x4

P328



x22

