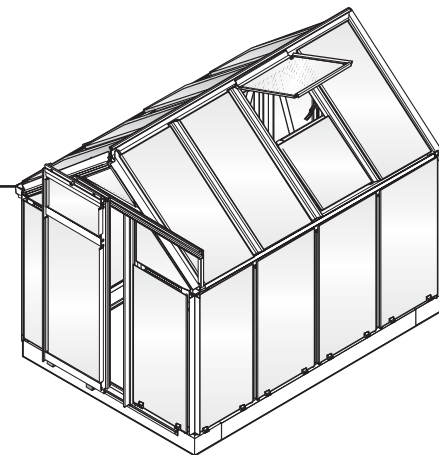


# ASSEMBLY INSTRUCTIONS

## Multi Line 6'x8'

255x193x203cm / 100<sup>1</sup>/<sub>2</sub>"x76"x80"



Poly-Tex, Inc.  
PO Box 458  
27725 Danville Avenue

Castle Rock, MN 55010

Web Site: [www.poly-tex.com](http://www.poly-tex.com)

**Hobby Greenhouse Service  
Center:**

**800-852-3443**

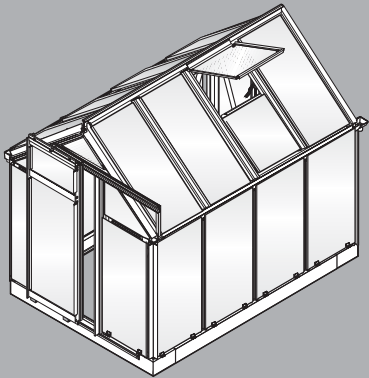
## IMPORTANT

Please read these instructions carefully before you start to assemble this greenhouse.

Please carry out the steps in the order set out in these instructions.

Do not tighten the screws of the Greenhouse until completion of the assembly of the panels.

Keep these instructions in a safe place for future reference.



### ► Safety Advice

We strongly recommend the use of work gloves during assembly. Do not attempt to assemble the greenhouse in windy or wet conditions.

Do not touch overhead power cables with the aluminum profiles. Always wear shoes and safety goggles when working with extruded aluminum. Dispose of all plastic bags safely - keep them out of reach of small children. The greenhouse must be positioned and fixed on a flat level surface. Do not lean against or push the greenhouse during construction. Keep children away from the assembly area. Do not position your greenhouse in an area exposed to excessive wind.

Do not attempt to assemble this greenhouse if you are tired, have taken drugs or alcohol or if you are prone to dizzy spells. If using a step ladder or power tools ensure that you follow the manufacturer's safety advice. Hot items such as recently used grills, blowtorches etc. must not be stored in the greenhouse. Ensure there are no hidden pipes or cables in the ground before inserting the pegs.

### ► General Advice

This is a multi-part assembly best achieved by two people. Allow at least half a day for assembly process. Selecting a site - choose a sunny level position away from overhanging trees. If you are fixing your greenhouse directly to a solid concrete foundation use the pre drilled holes in the metal base supplied. The component parts should be checked and laid out close at hand. Keep all small parts (screws etc.) in a bowl so they do not get lost. Do not tighten the screws of the greenhouse until completion of the assembly of the panels, unless it says otherwise.

### ► Care & Maintenance

When your greenhouse needs to be cleaned, use a mild detergent solution and rinse with cold clean water. DO NOT use acetone, abrasive cleaners or other special detergents to clean the clear panels. Replacement parts - call our service line. For additional information please visit our web site: [www.palram.com](http://www.palram.com)

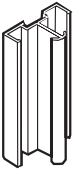

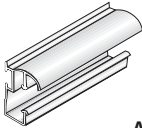

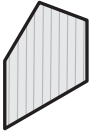
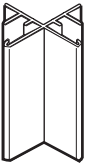
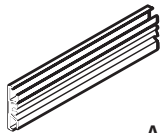
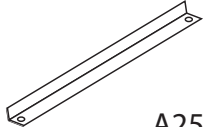
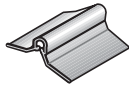
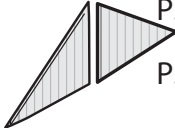
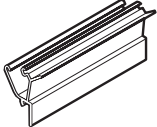
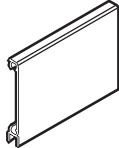
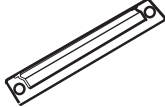
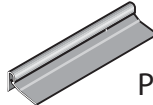
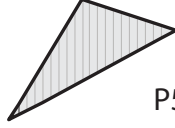
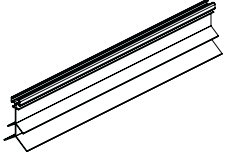
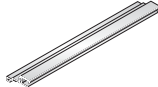

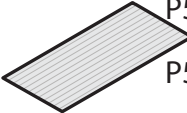

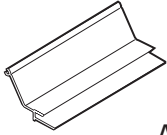
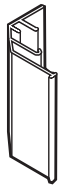
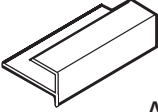
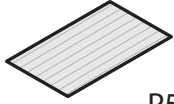
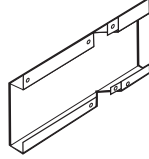
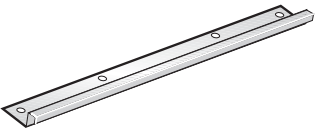
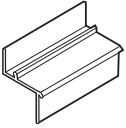
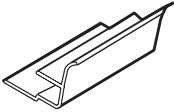
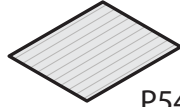
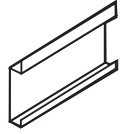
### ► Tools & Equipment



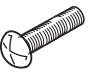
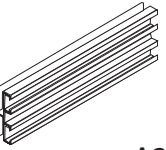



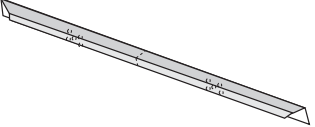




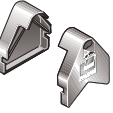









- Tape measure
- Work gloves
- Plastic or rubber mallet
- Lubricant
- Phillipshead screwdriver
- Step ladder
- Drill bit
- Large hammer
- Scissors
- Spanner

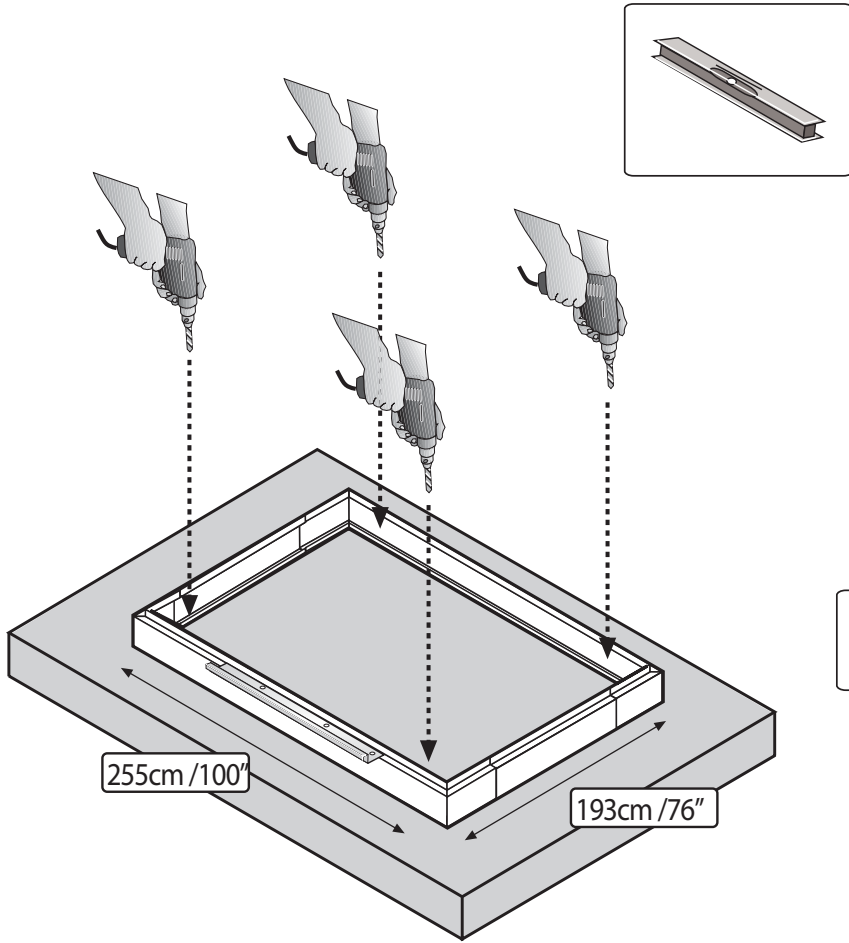
Make sure the base in steps 1&2 is square by measuring the diagonals and level by using a spirit level.

- Sort the parts and check against the contents parts list.
  - Carry out the assembly steps in the order set out in the instructions.
  - Screws 411 are to be assembled from the outside and nuts 412 from the inside of the greenhouse.
  - Tighten screws and nuts (411 & 412), 2- 3 turns only, do not fasten them until completion of the assembly, if not specified otherwise.
- 4 Prefix of the parts reference in the assembly instructions:
- A-Aluminum profiles and parts
  - P5XX-Polycarbonate panels
  - P3XX-Plastic parts.
  - M-Metal parts
  - 4XX-Screws, nuts, disks, etc.
- The end of all profiles, indicated by an arrow, is always upward.
  - The oval hole in the crossbars A256 should always be assembled to the base of the greenhouse.
  - The front of the greenhouse is the wall including the door, and the back is the opposite wall.
  - Firmly connect the greenhouse to a leveled final position immediately after completion of the assembly.

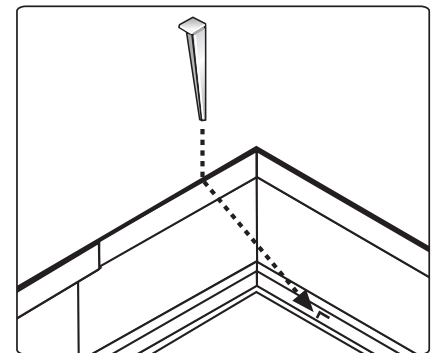
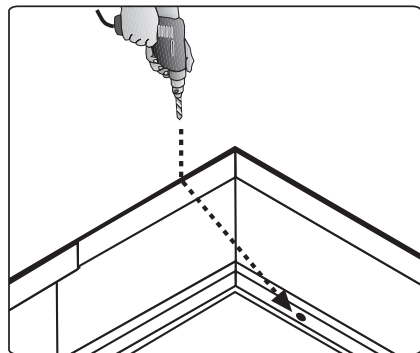
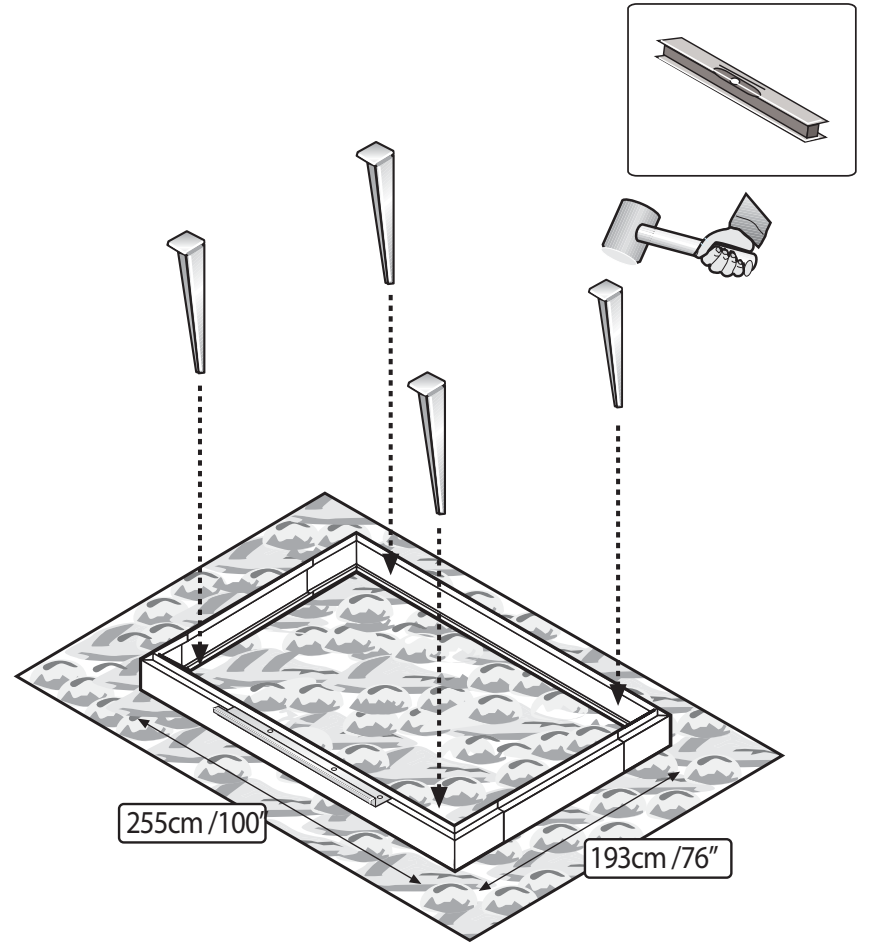
# Contents

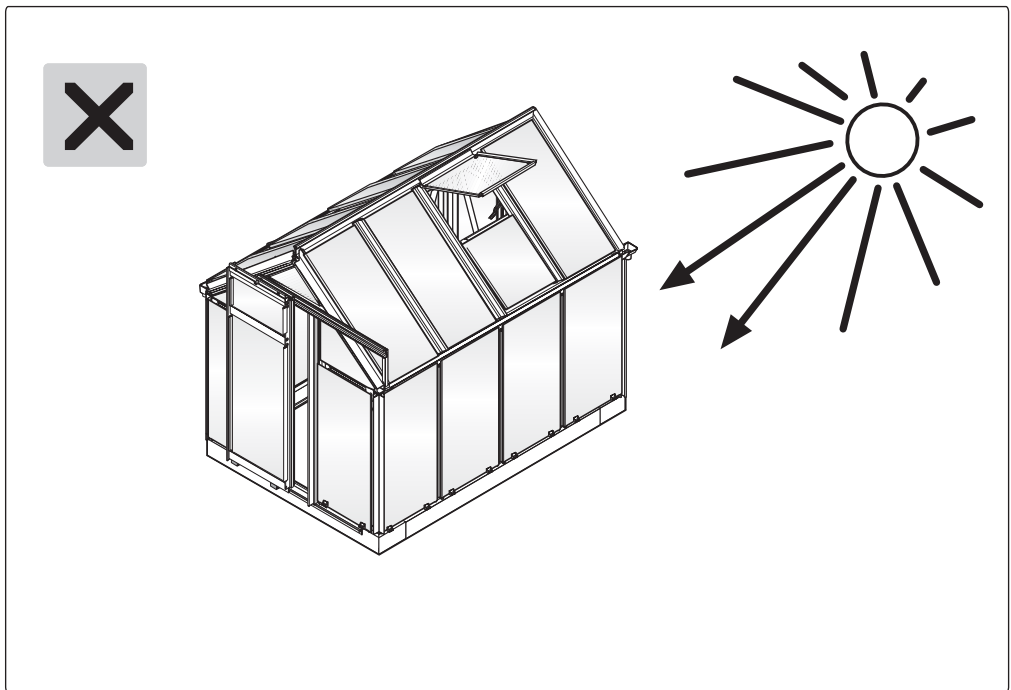
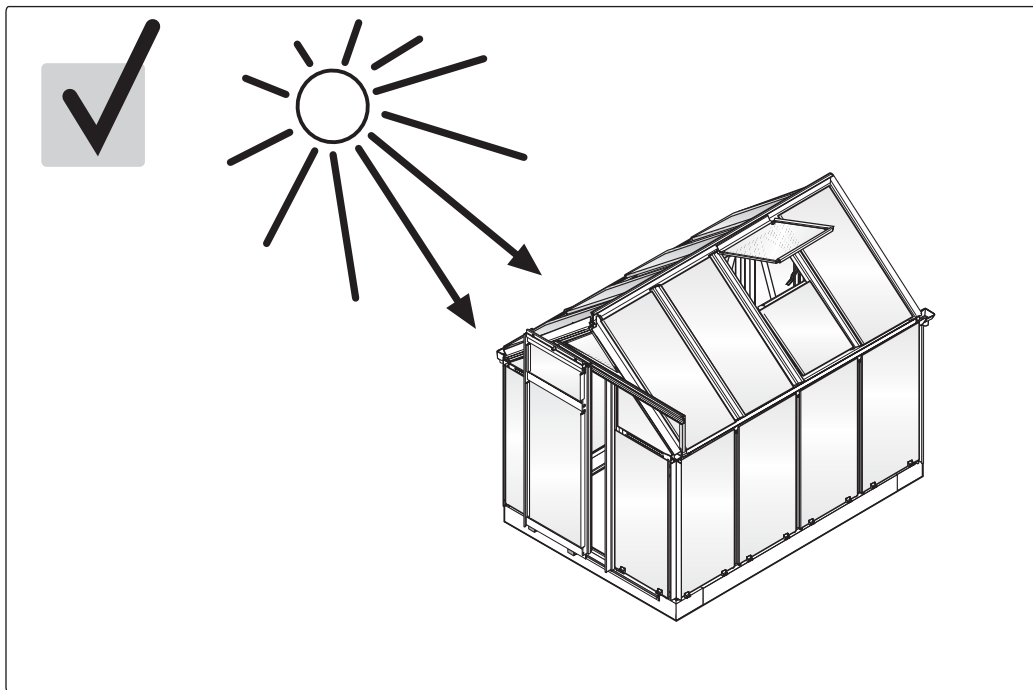
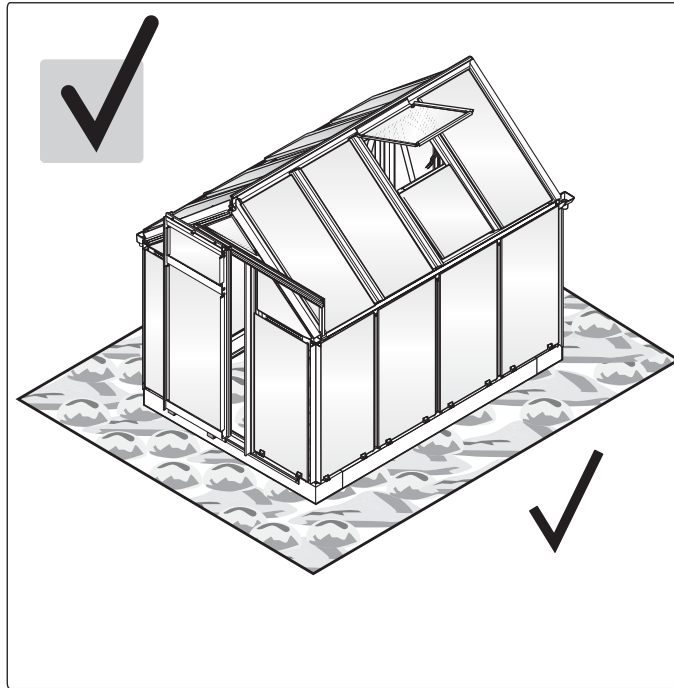
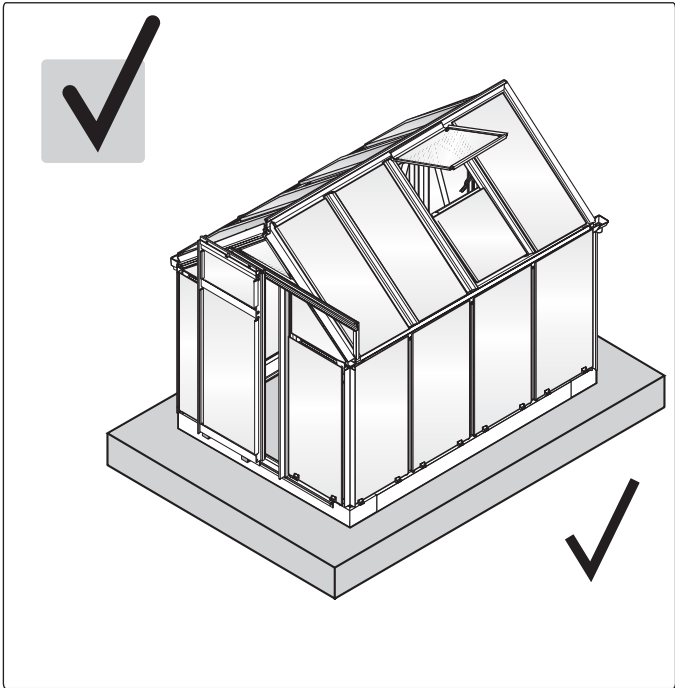
Item	Inc./mm	Qty.	Item	Inc./mm	Qty.	Item	Inc./mm	Qty.	Item	Inc./mm	Qty.	Item	Inc./mm	Qty.
	A102 44.33/1126 A103 62.40/1585 A104 62.40/1585	12 1 1		A173 59/1500	2		A222 48.82/1240	1		R303 59.6/1515	2		P543 25.79x24.09 666x612	1
	A111 44.69/1135 A112 44.69/1135 A113 44.69/1142 A114 44.69/1142 A115 44.69/1142 A116 44.69/1142	2 2 1 1 1 1		A174 24.17/614	1		A256 50.79/1290	8		PA351 44.09/1120 PA352 22/570 PA353 11.8/445	14 2 2		P544 17.32x24.09 432x614 P545 17.32x24.09 432x614	2 2
	A136 96.73/2457	2		A182 24.17/614	1		A260 24.85/631	1		PR351 44.09/1120 PR353 11.8/300 PR356 17.5/445	20 2 2		P546 9.45x23.94 240x608	1
	A141 97/2463	1		A192 24.17/614	1		A261 15.75/400	1		P540 44.69x24.09 1143x612 P580 44.69x24.09 1143x612	14 7		P547 23.62x21.65 600x550	1
	A151 23.07/586	1		A203 61.5/1563 A204 61.5/1563	1 1		A271 23.07/586	1		P541 12.9x24.09 330x612	1		M243 91.7/2330	2
	A162 36.1/917	1		A211 24.25/616	1		A282 21.77/553	2		P542 22.64x24.09 575x612	1		M244 91.7/2330	2

Item	Inc./mm	Qty.	Item	Inc./mm	Qty.	Item	Inc./mm	Qty.	Item	Inc./mm	Qty.
	R360	2		A323	2		421 M4x0.63/M4x16	4		447 M8x0.63/M8x16	4
	A283 589/23	5		P324	4		422 M4	2		4008 0.6x0.16/16x4.2	6
	M285 1847/72.7	1		P333	1		423 M4	2		M307	4
	P304	2		P399	2		441 M6x1.77/M6x45	1		T340	7
	A306	1		411 M6x0.39/M6x10	95		442 0.26/6.5	1		T341	8
	P328 (1 spare)	26		412 M6	100		445 8x1/5/M8x7	4		P361	113



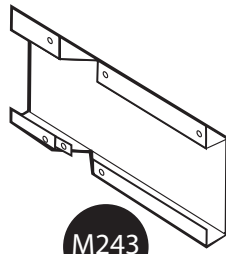
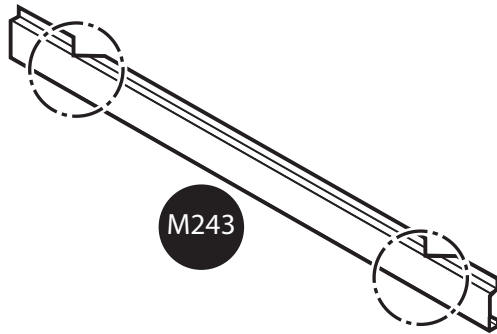
OR



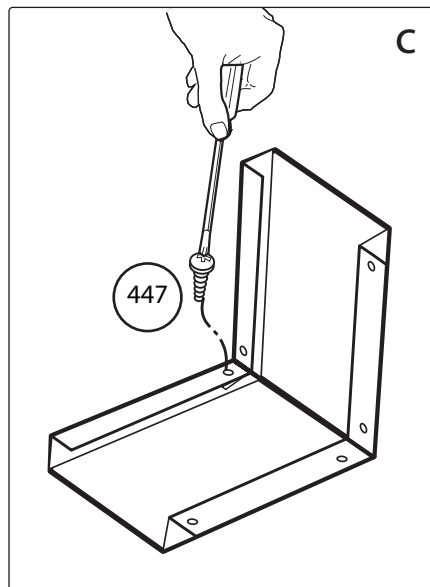
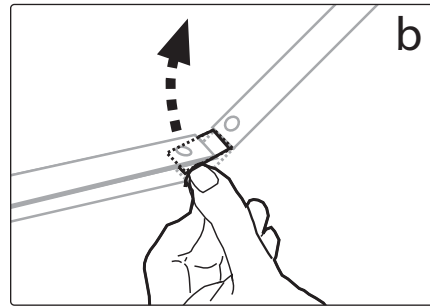
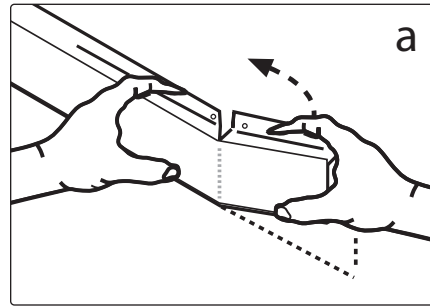
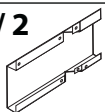


1

Be sure to bend in tabs on the base profiles M243 into a 90° angle before inserting the screws. Tighten firmly the screws 447 at the lower hole as seen in the lower picture.

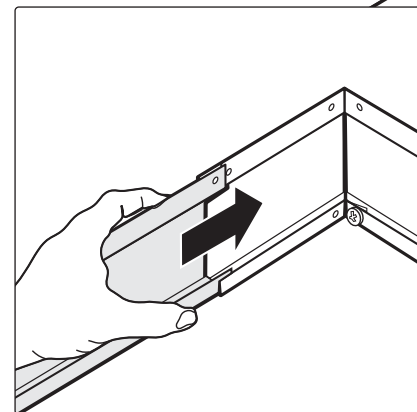
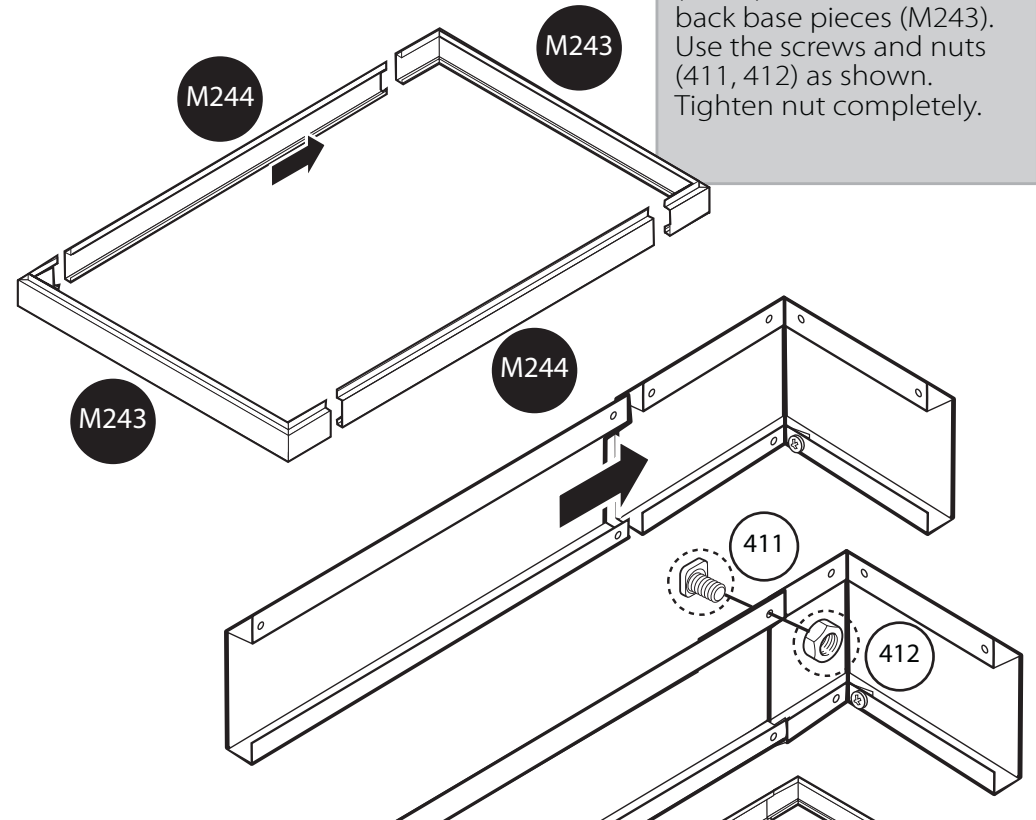


M243 / 2

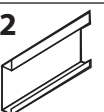


2

Attach the sides of the base (M244) to the front and back base pieces (M243). Use the screws and nuts (411, 412) as shown. Tighten nut completely.

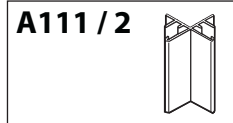
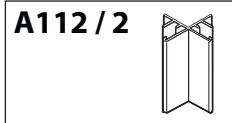
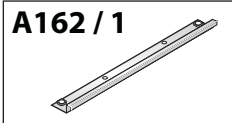
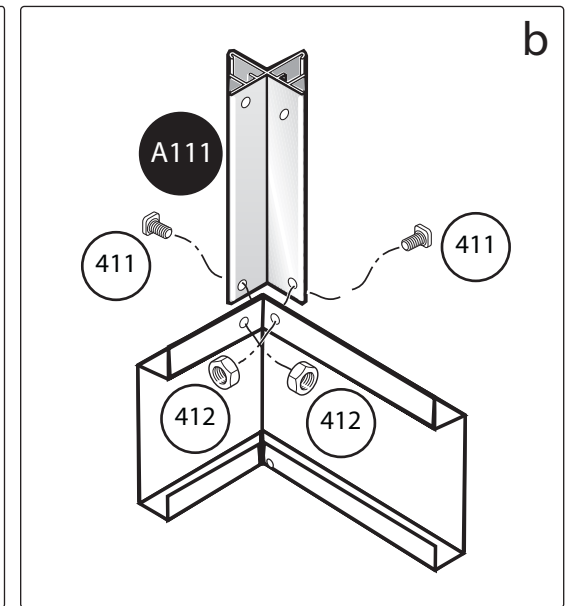
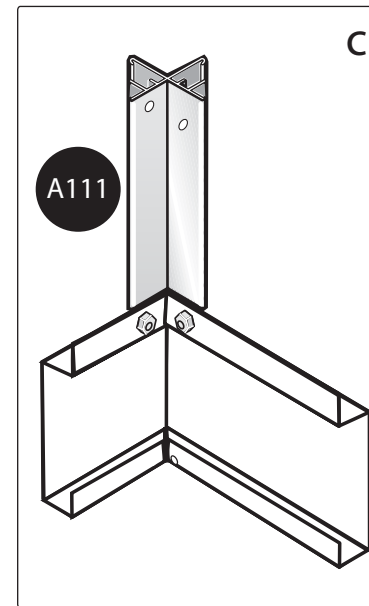
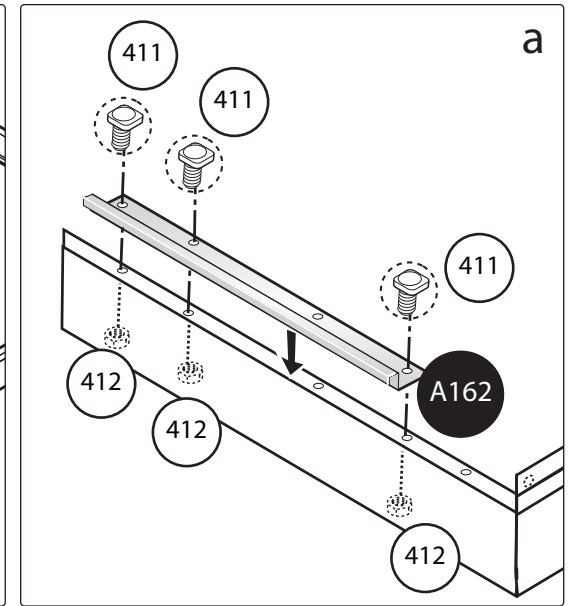
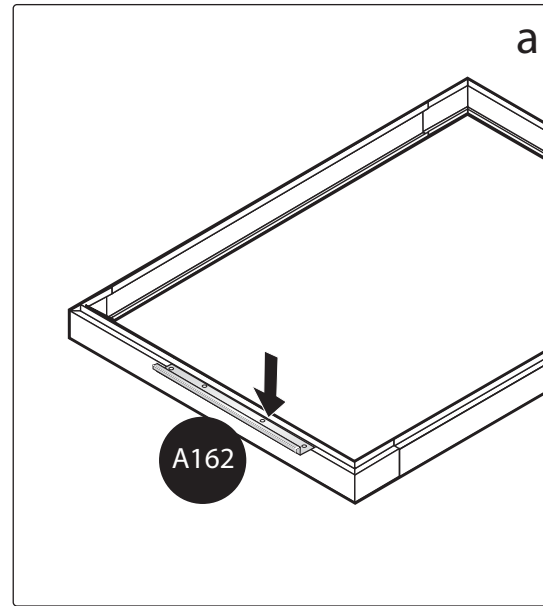
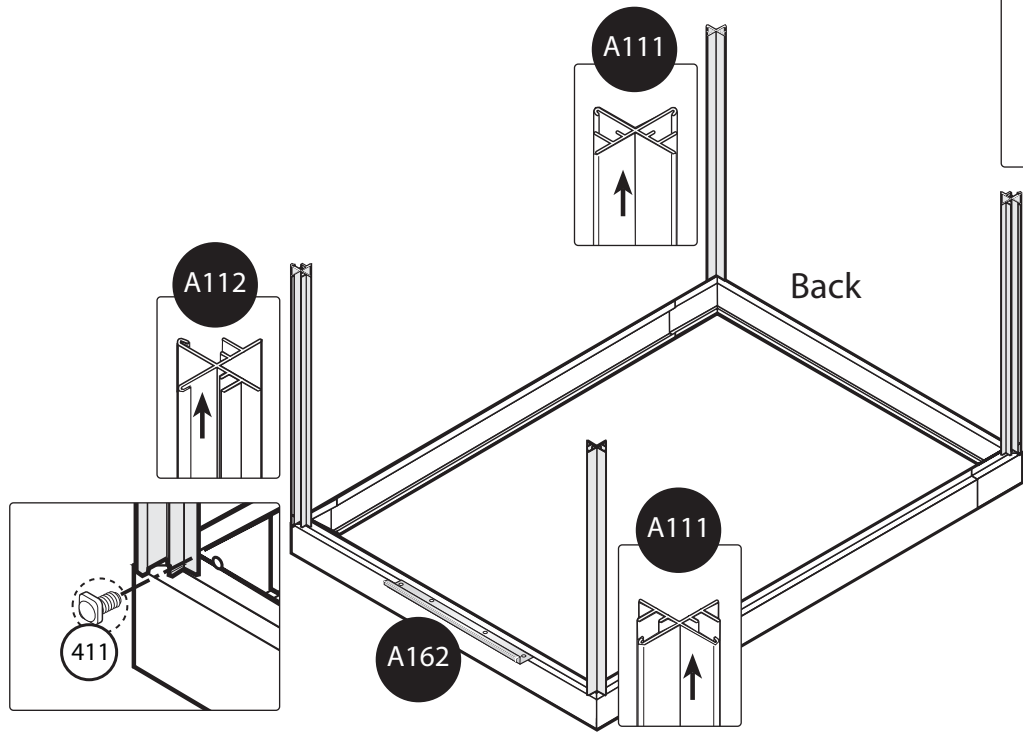


M244 / 2



3

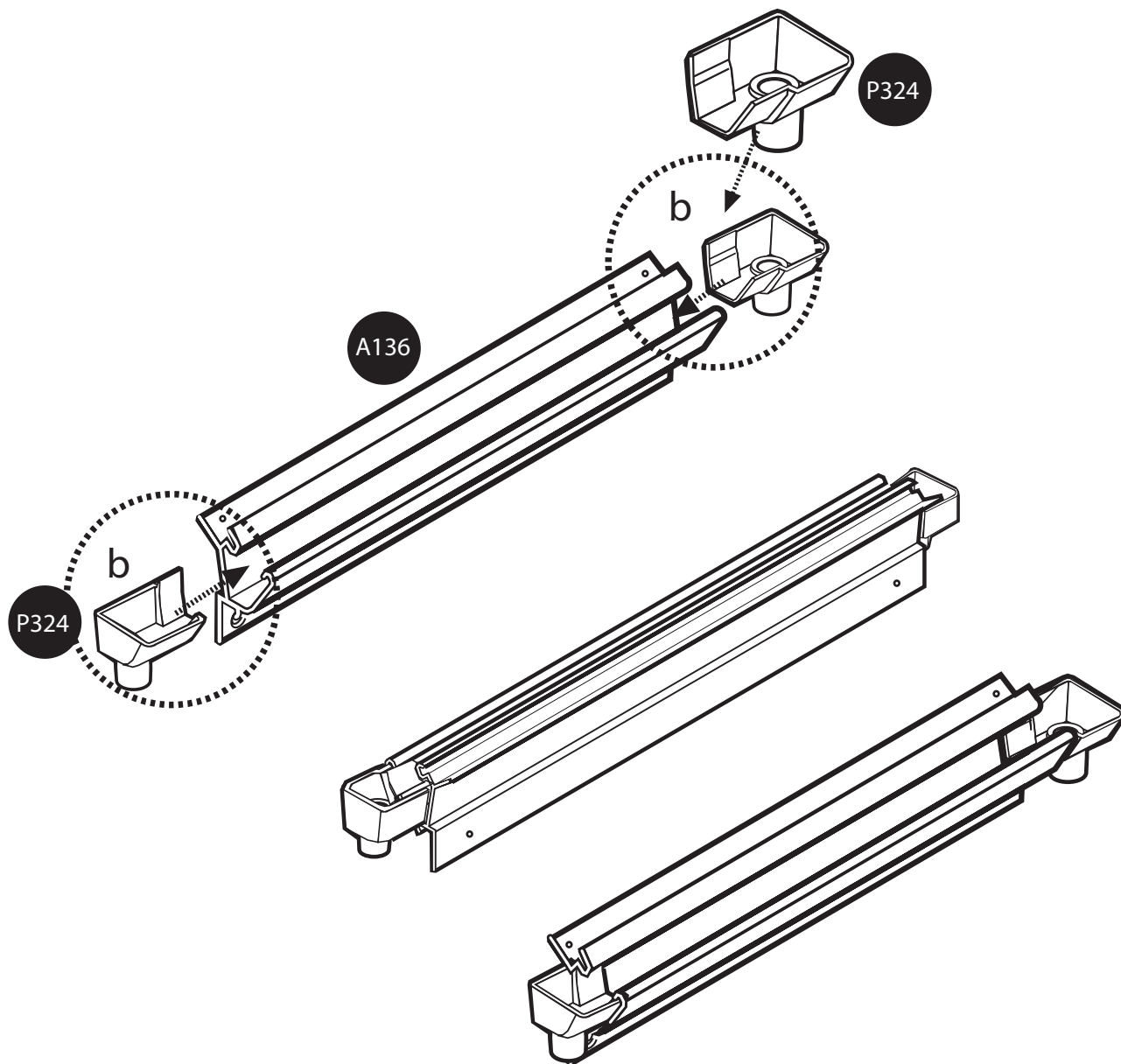
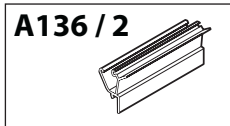
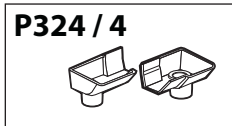
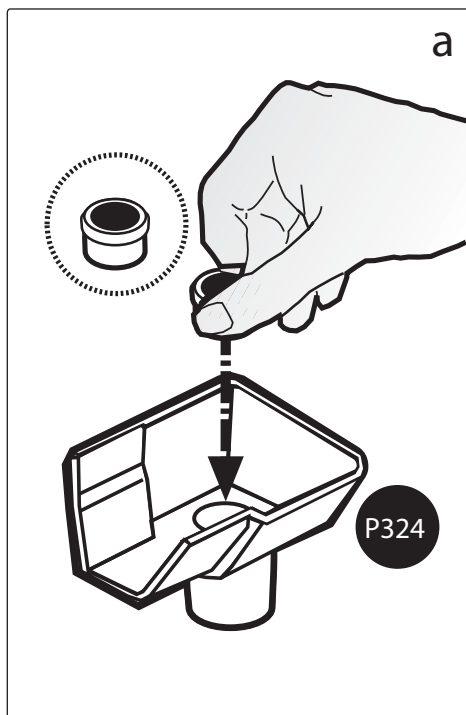
Assemble profile A162 using screws and nuts (411,412) as shown and tighten nut completely. Be sure to assemble profiles A111 & A112 as shown below with the arrow facing upwards.



4

**NOTE:** The drain set includes two left and two right cups P324 and four plugs. Assemble a plug in all four cups P324. Insert each one of them into the gutters A136 ends as shown below.

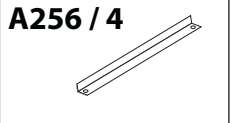
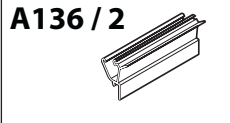
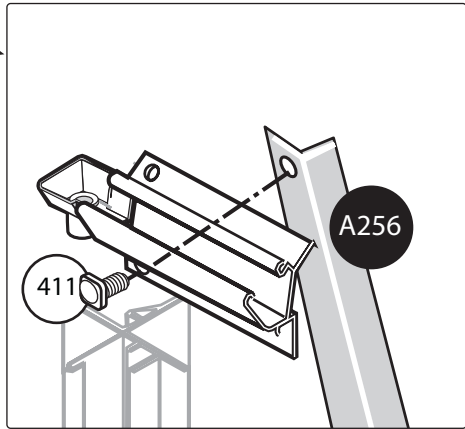
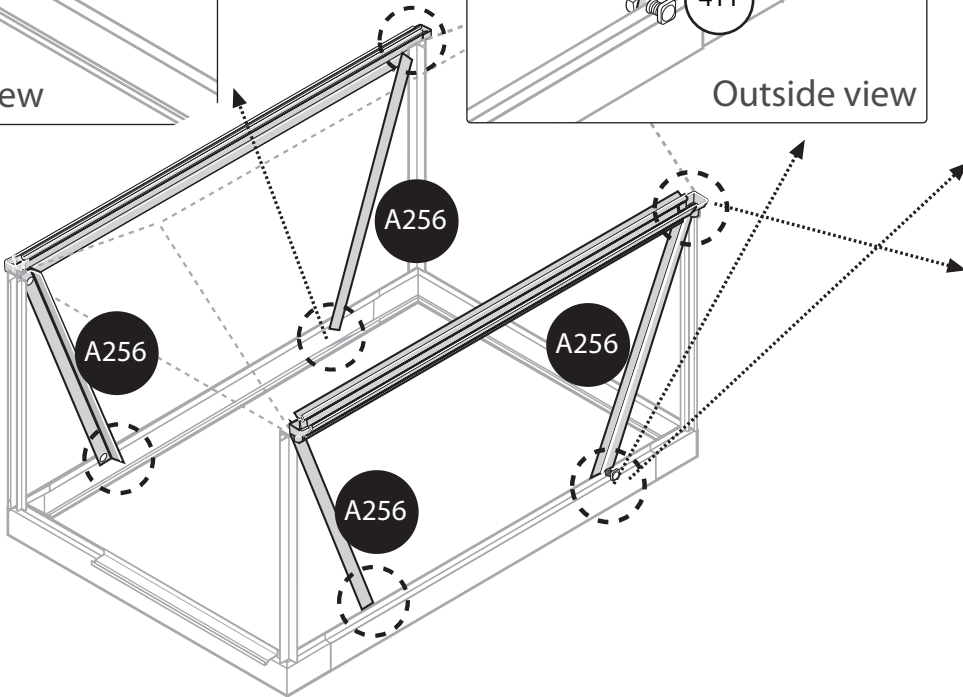
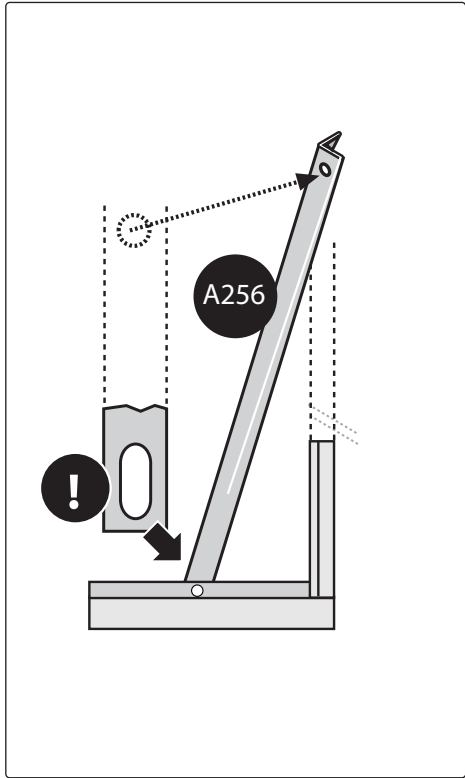
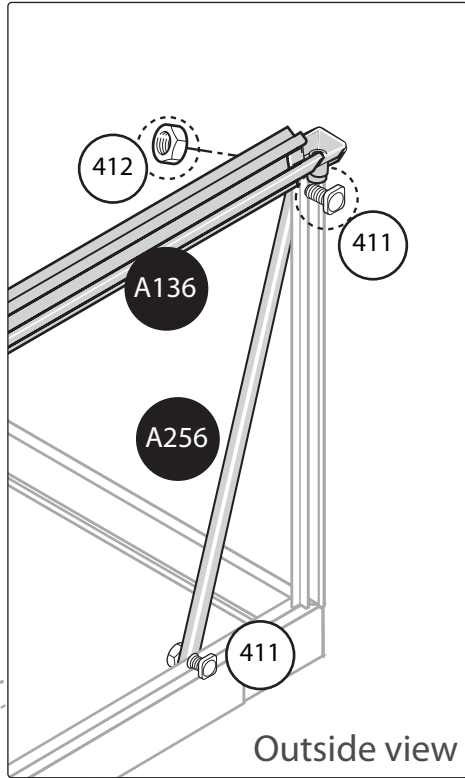
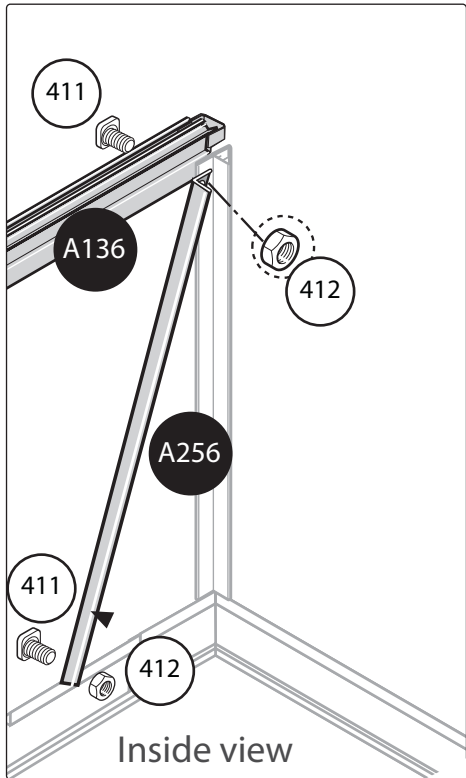
**NOTE:** Leave the end cups open on the side you would like the water to drain.



**5** \*Insert the screws from the outside, tighten nuts only 2-3 turns and leave loose.

Assemble the gutters A136 to the profiles (A111 / A112) one on each end.

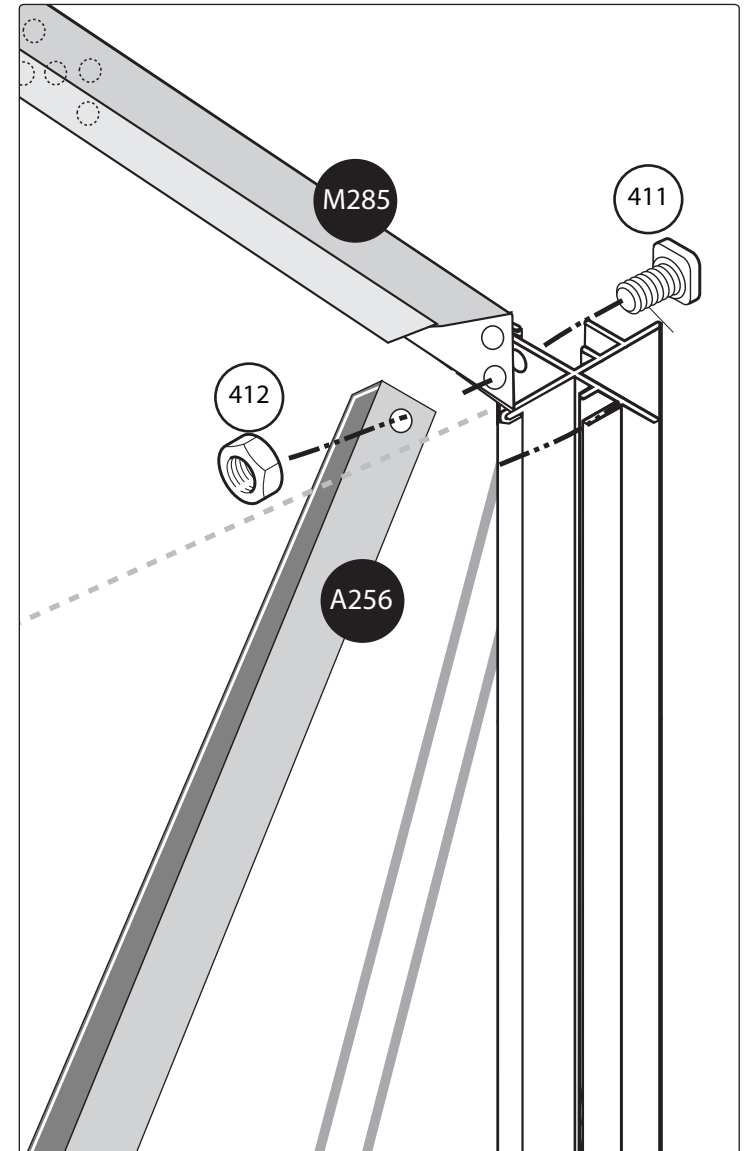
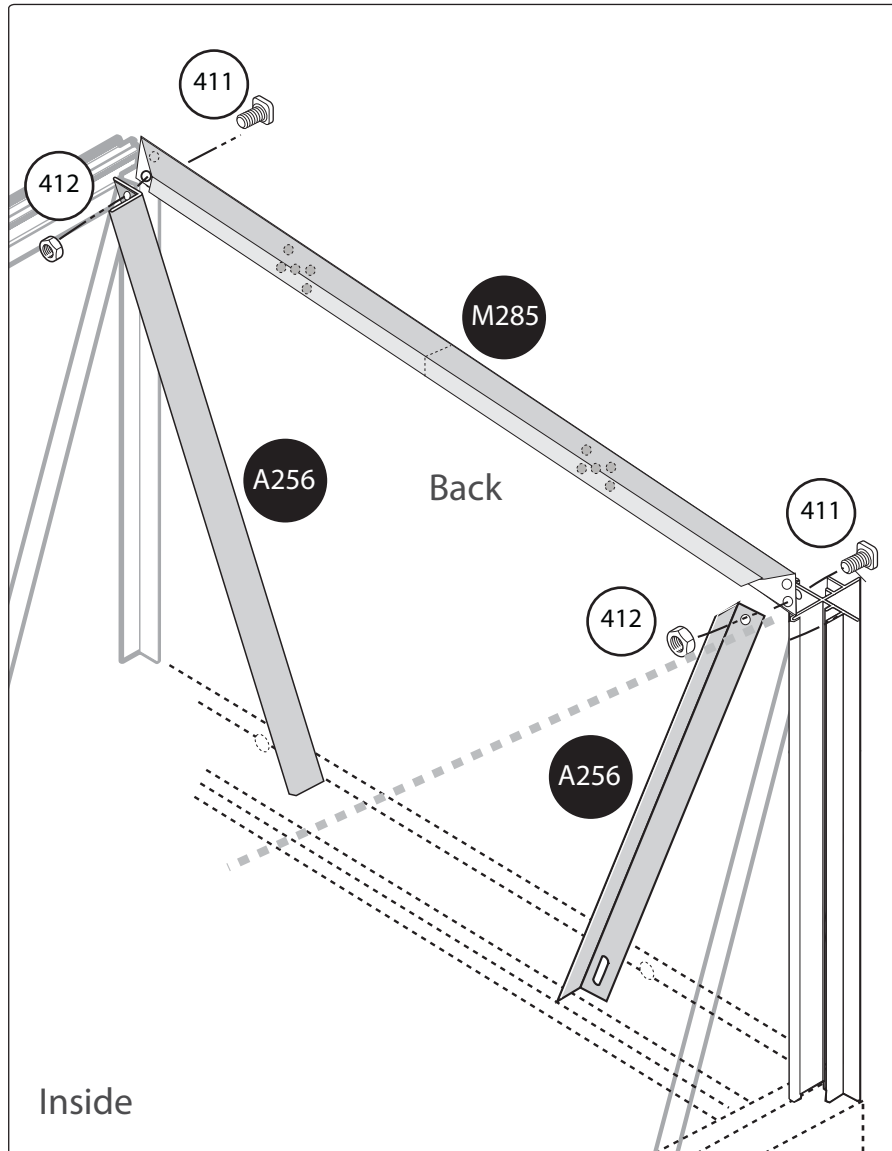
**NOTE:** Assemble the crossbars A256 simultaneously with the gutter A136 using the same screws and nuts. The oval holes should be connected to the base of the greenhouse.



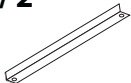
**6** \*Insert the screws from the outside, tighten nuts only 2-3 turns and leave loose.

Assemble M285 at the back of the greenhouse to profiles A111, A112 using the lower hole of M285.

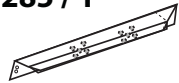
**NOTE:** Assemble the crossbars A256 simultaneously with the M285 using the same screws and nuts. The oval holes must be connected to the base of the greenhouse.



**A256 / 2**



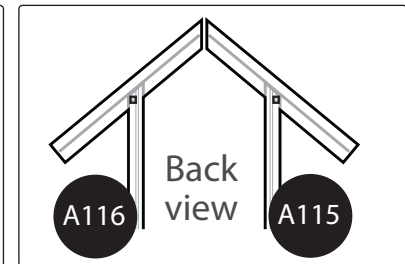
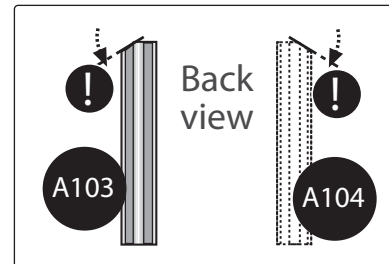
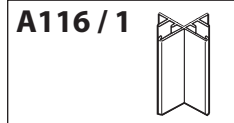
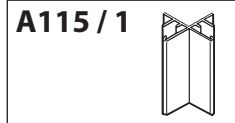
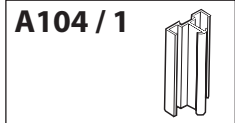
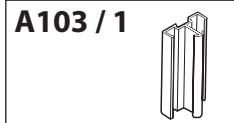
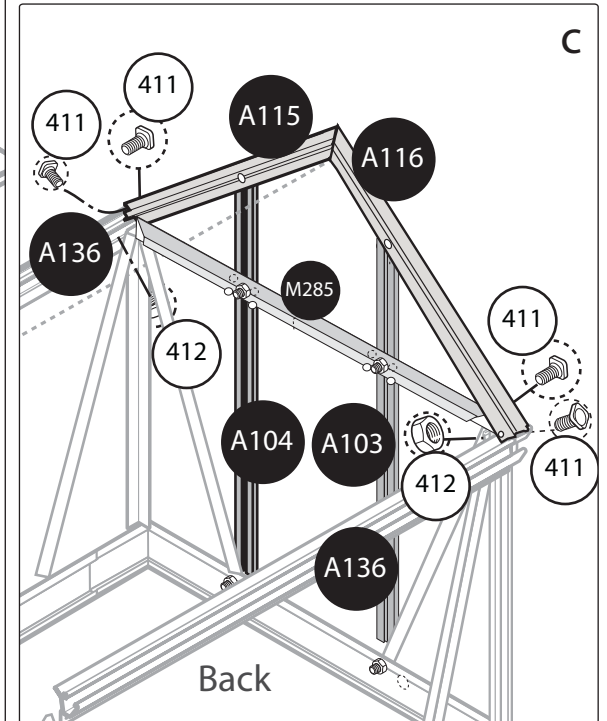
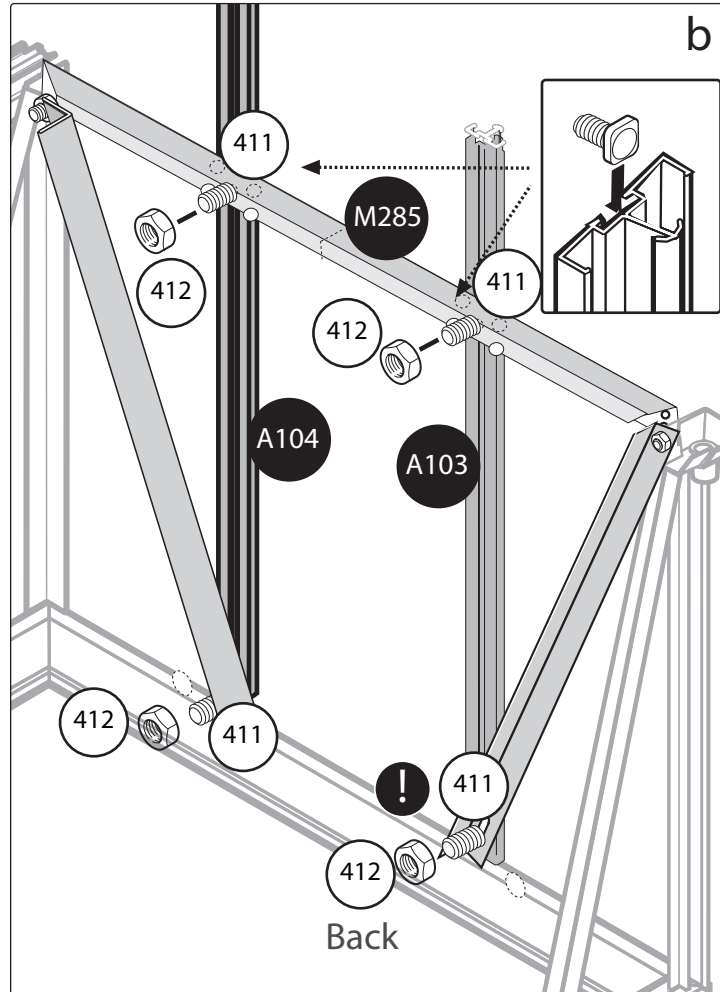
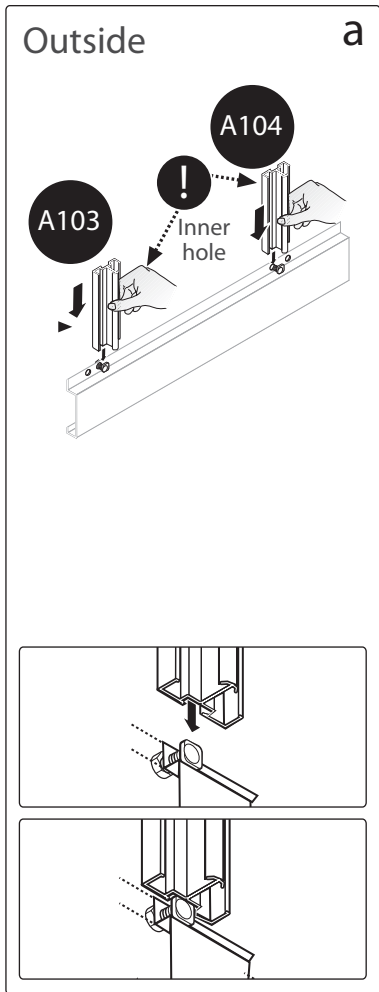
**M285 / 1**



**7** \*Insert the screws from the outside, tighten nuts only 2-3 turns and leave loose.

Assemble profiles A103, A104 to the base using the base inner holes and to connector M285 in the middle hole as shown in drawing a & b. Aluminum profiles A115 and A116 are to be connected at the back to the gutters A136 on its upper holes and to profiles A103 and A104 as shown in drawing c.

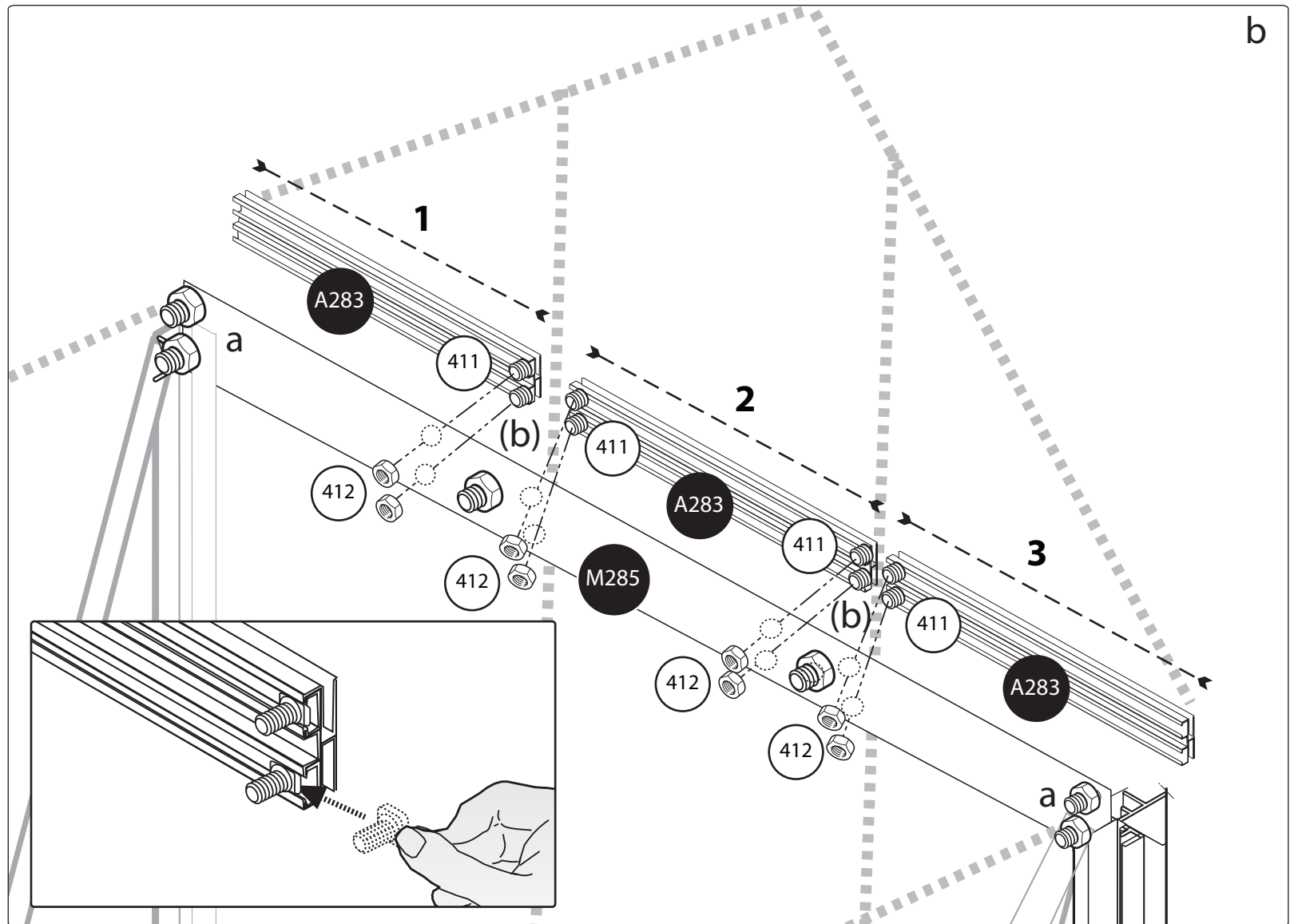
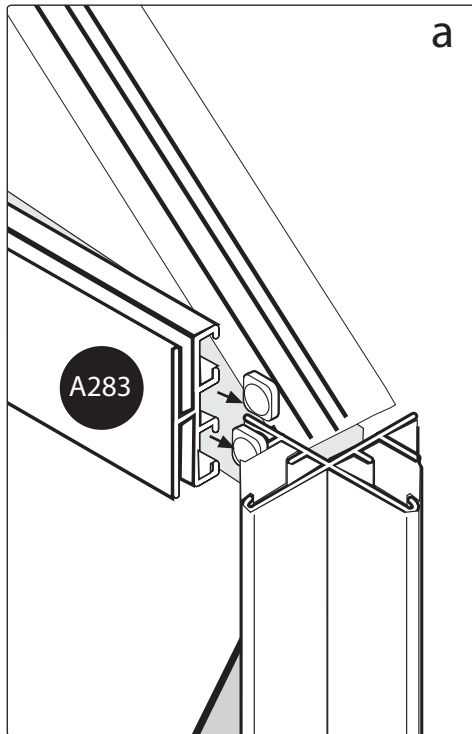
**NOTE:** Assemble profiles A103 and A104 simultaneously to the base, using the base inner holes and crossbars A256 on each side.



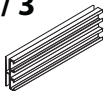
**8** \*Insert the screws from the outside, tighten nuts only 2-3 turns and leave loose.

Assemble profiles A283 on the back of connector M285.

**NOTE:** On the sides you should slide profile A283 onto the existing screws as shown on figure (a). On the other end slide the screws 411 and then connect it to M285 (b). Follow steps (a) & (b) in sections 1&3.



**A283 / 3**

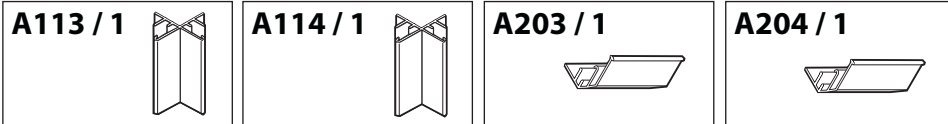
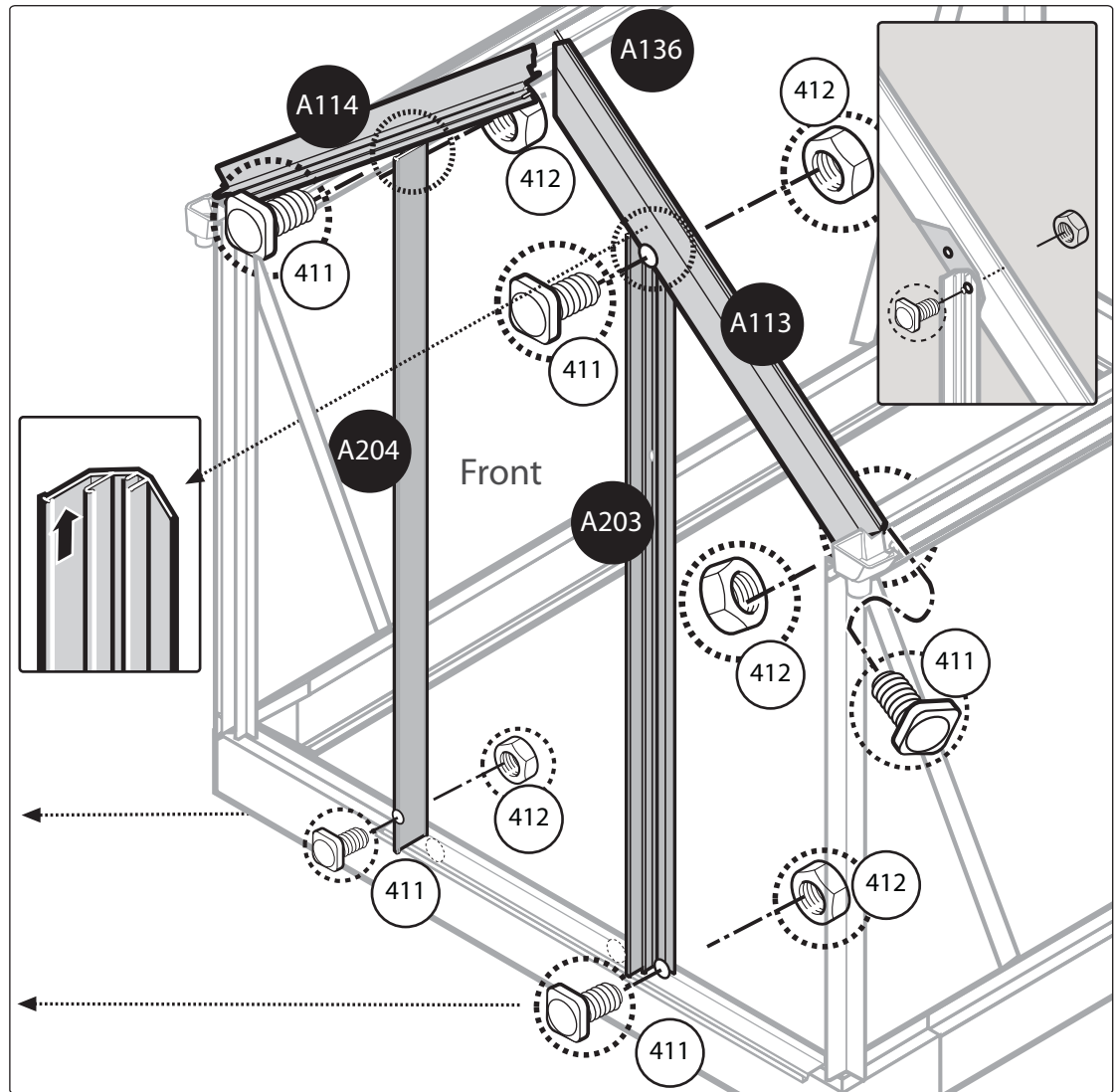
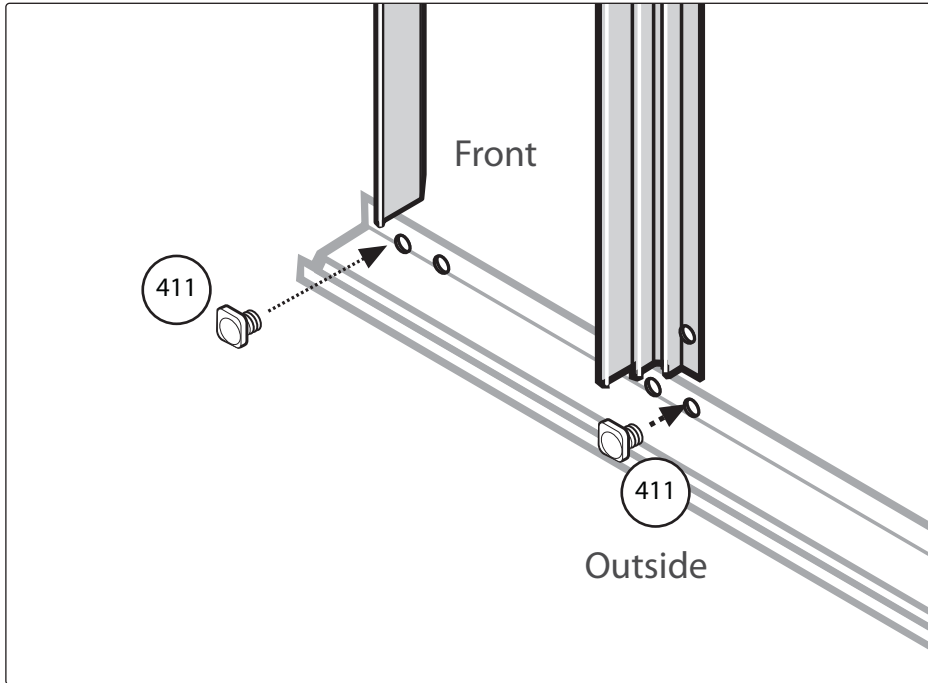
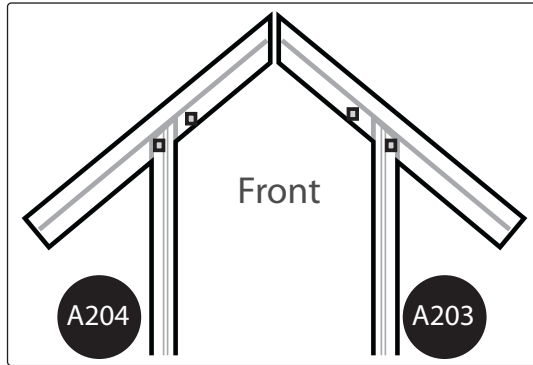


9

\*Insert the screws from the outside, tighten nuts only 2-3 turns and leave loose.

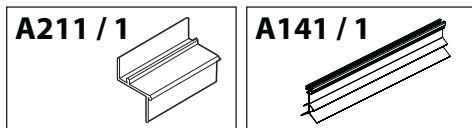
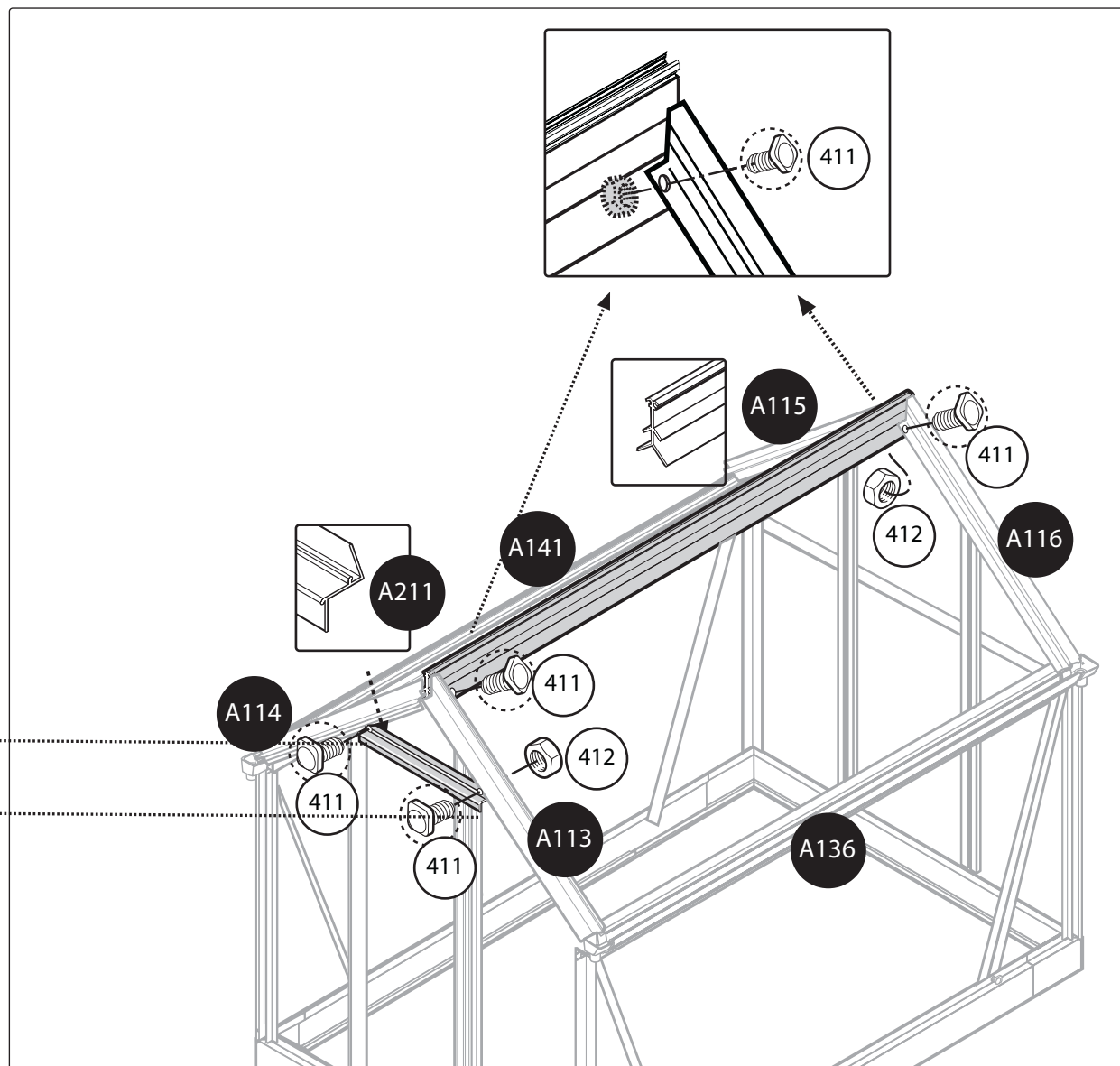
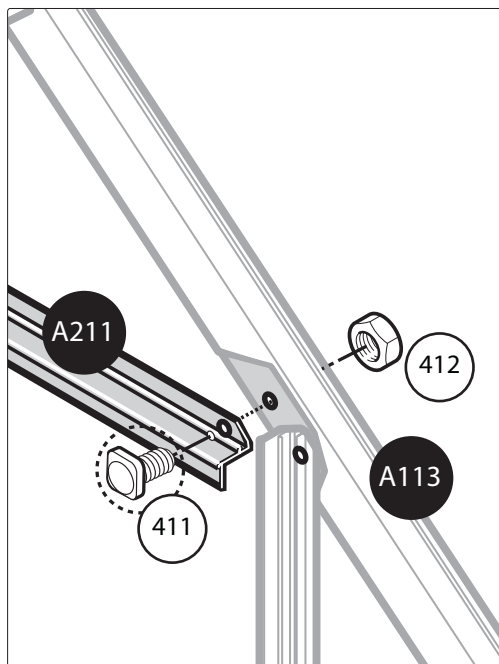
Aluminum profiles A113 and A114 are to be connected at the front to the gutters A136 on its upper holes and to profiles A203 and A204 as shown below.

**NOTE:** Assemble profiles A203 and A204 simultaneously to the base.



**10** \*Insert the screws from the outside, tighten nuts only 2-3 turns and leave loose.

Assemble the ridge A141 under and to profiles A113, A114 at the front, and to profiles A115, A116 at the back. Assemble profile A211, from the outside, to profiles A113, A114.

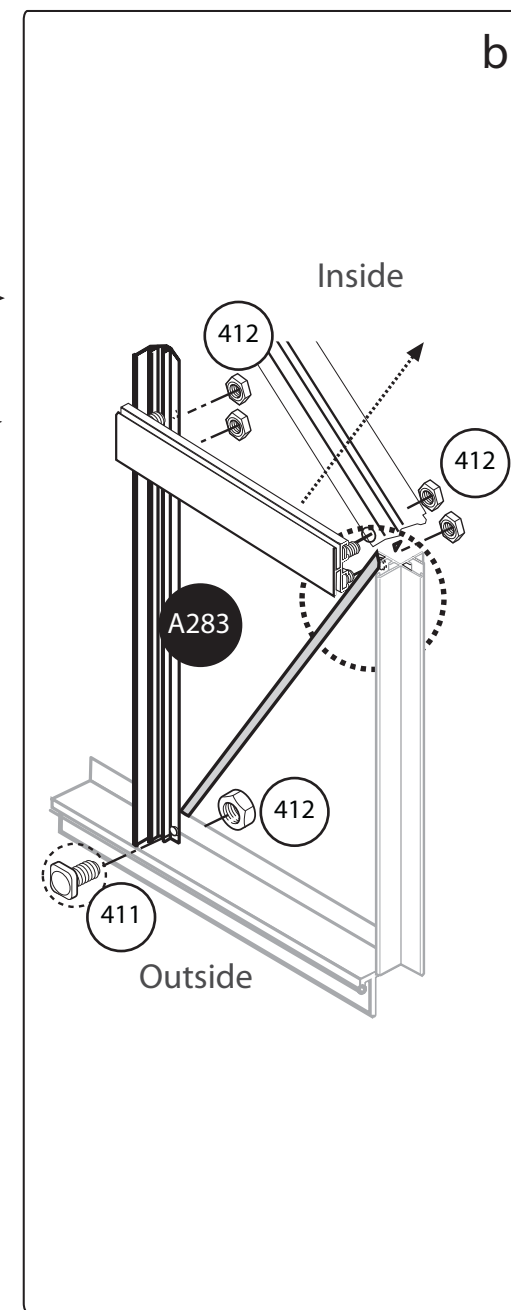
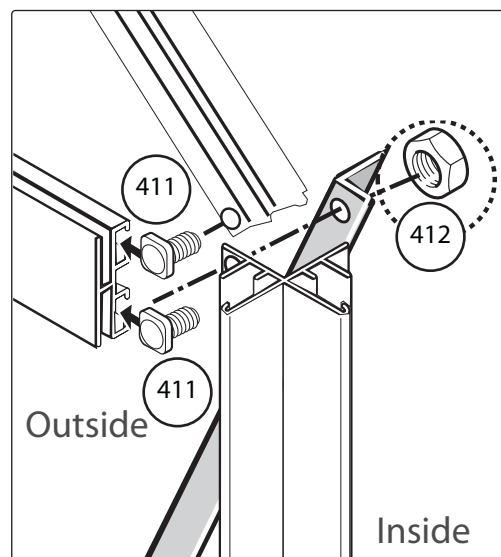
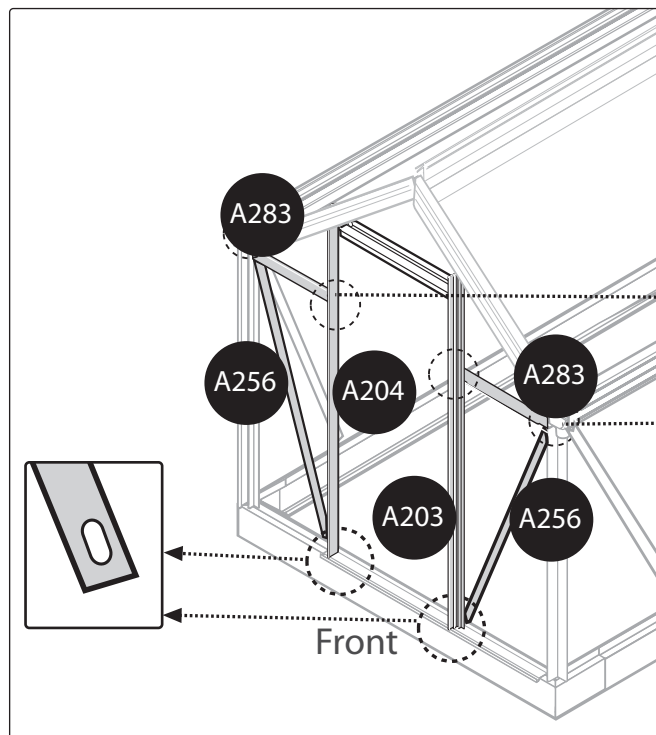
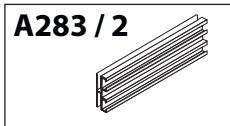
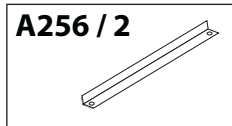
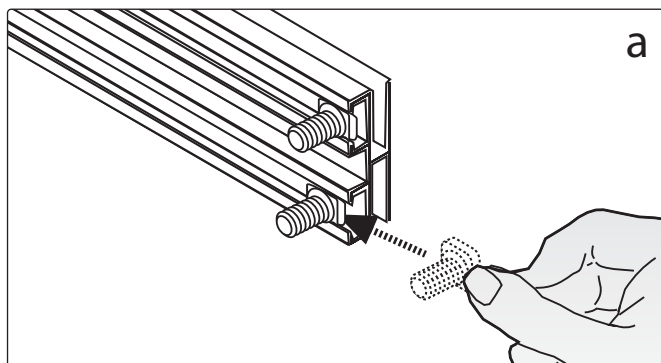


**11**

\*Insert the screws from the outside, tighten nuts only 2-3 turns and leave loose.

Insert two screws 411 in the groove of profile A283 at each end (a). Assemble profiles A283 from the outside to the corner profiles A111 and A112 at the two ends and simultaneously to profiles A203 and A204 and crossbars A256 (b). Connect the crossbars A256 to profile A111 & A112 in both corners using the A283 lower screw.

The oval holes must be connected to the base of the greenhouse.

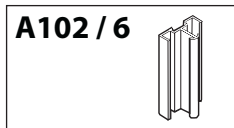
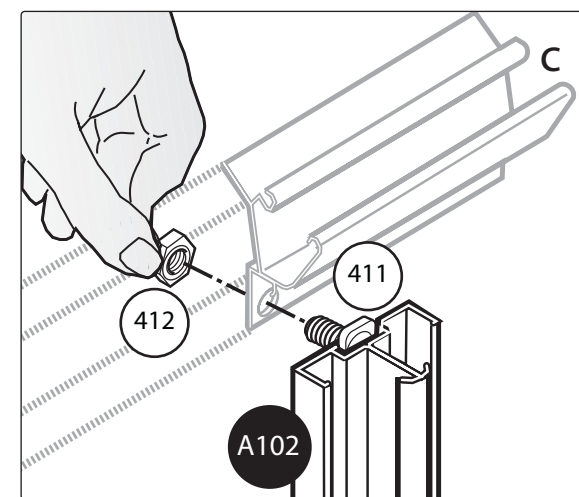
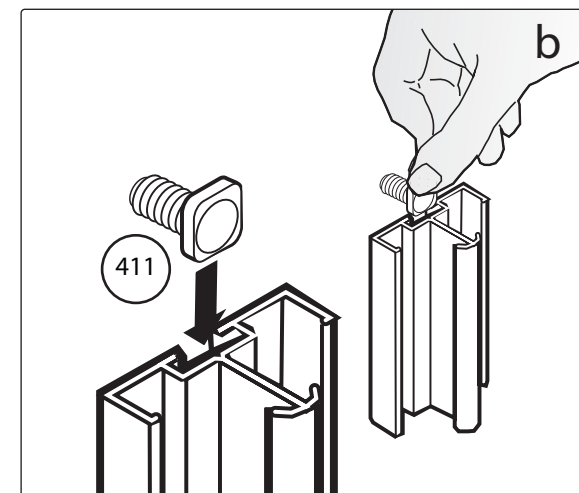
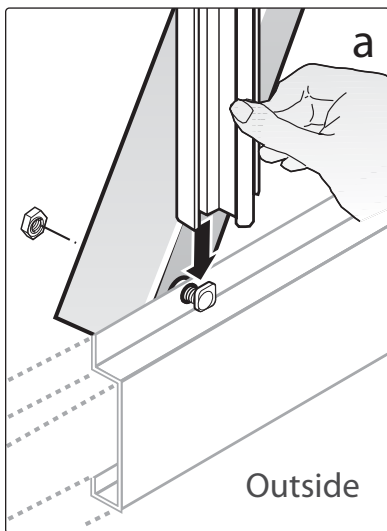
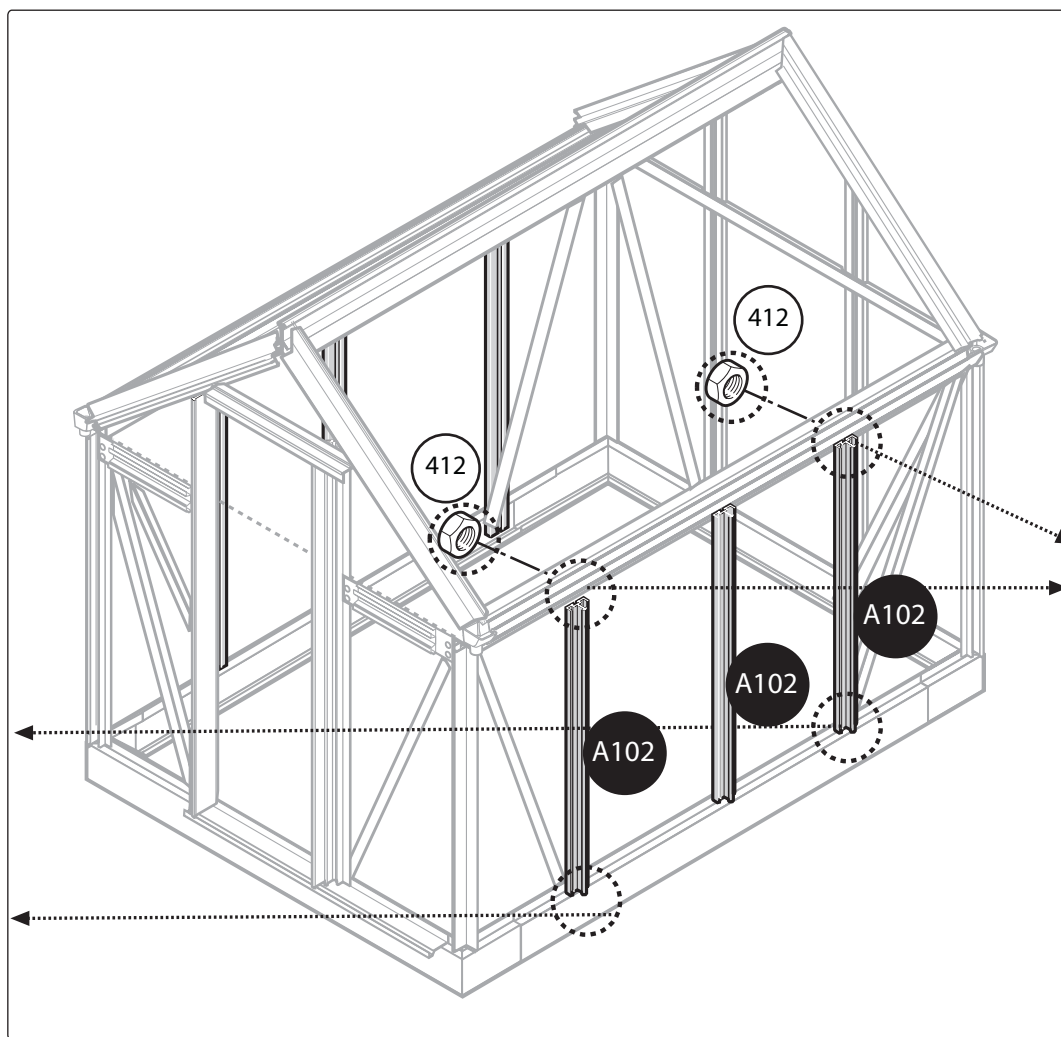


# 12

\*Insert the screws from the outside, tighten nuts only 2-3 turns and leave loose.

Slide profile A102 on to the square head of screw 411 (connected to the base)(a). On the other end slide the head of screw 411 into the groove on profile A102, insert the screw into predrilled holes in the gutter A136 and close (DO NOT TIGHTEN) with nut 412(b).

**NOTE:** Repeat the above assembly procedure to all profiles A102 on the walls.



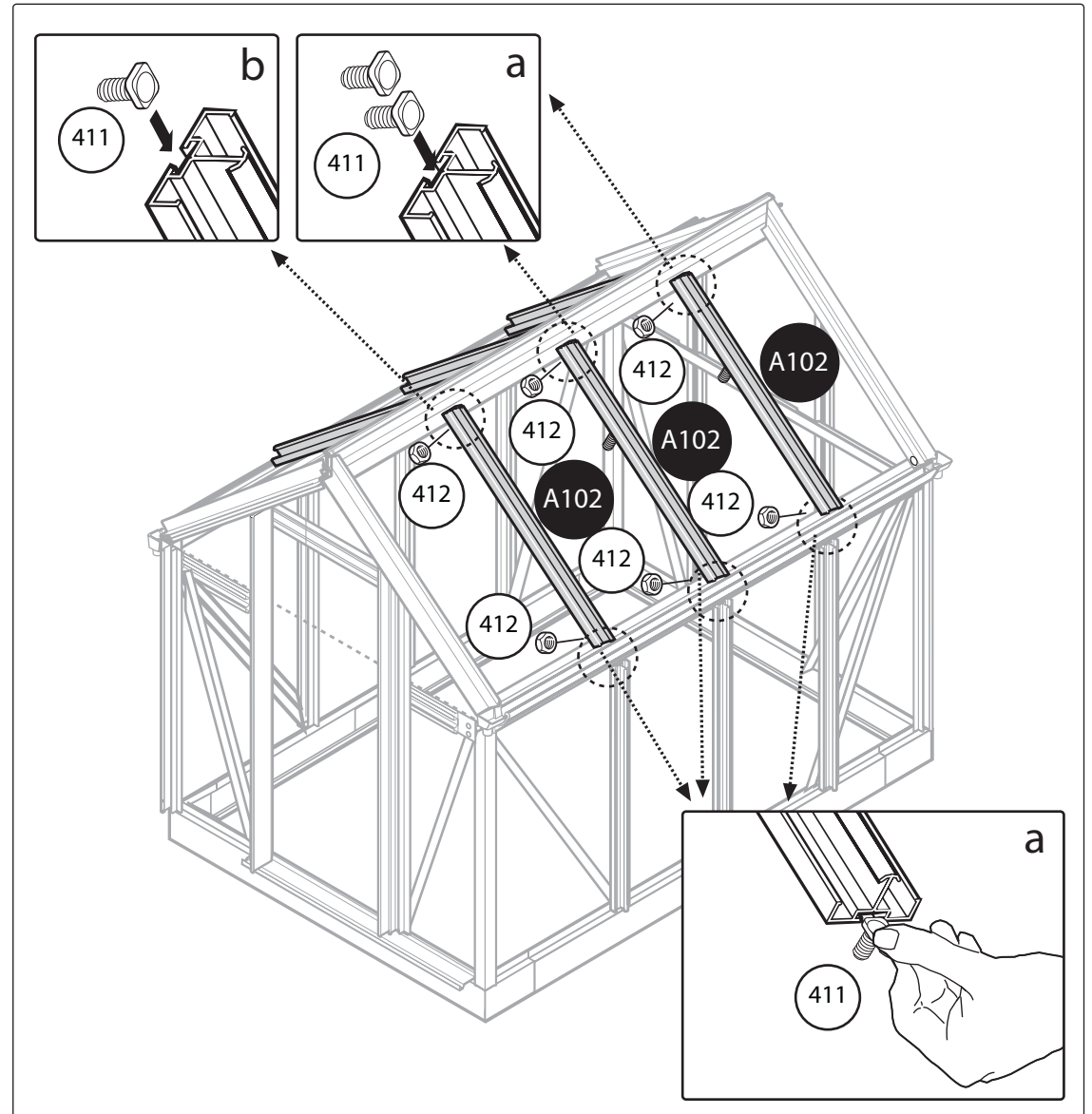
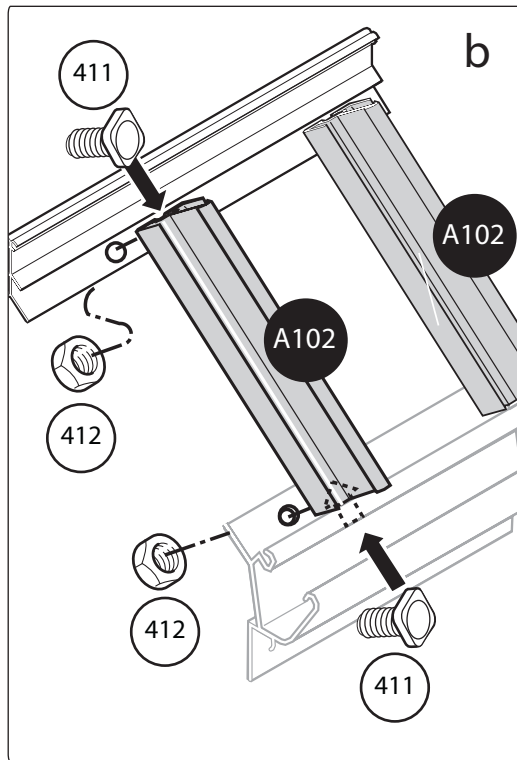
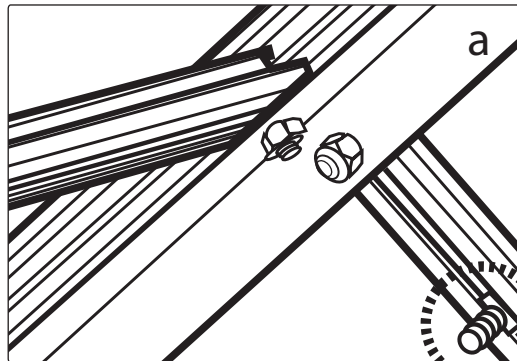
\*Insert the screws from the outside, tighten nuts only 2-3 turns and leave loose.

Slide screw 411 inside profiles A102 at the top connect it to the ridge A141 and at the bottom-to the gutter A136.

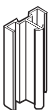
**NOTE:** Repeat the above assembly procedure to all profiles A102 on the roof.

**NOTE:** The vent in the roof can be inserted replacing one of the middle panels. In order to assemble the vent you have to insert an additional screw 411 into both profiles A102 (a) on either side of the vent. These two additional screws will be used later.

\* Use only one screw 411 in step (b).



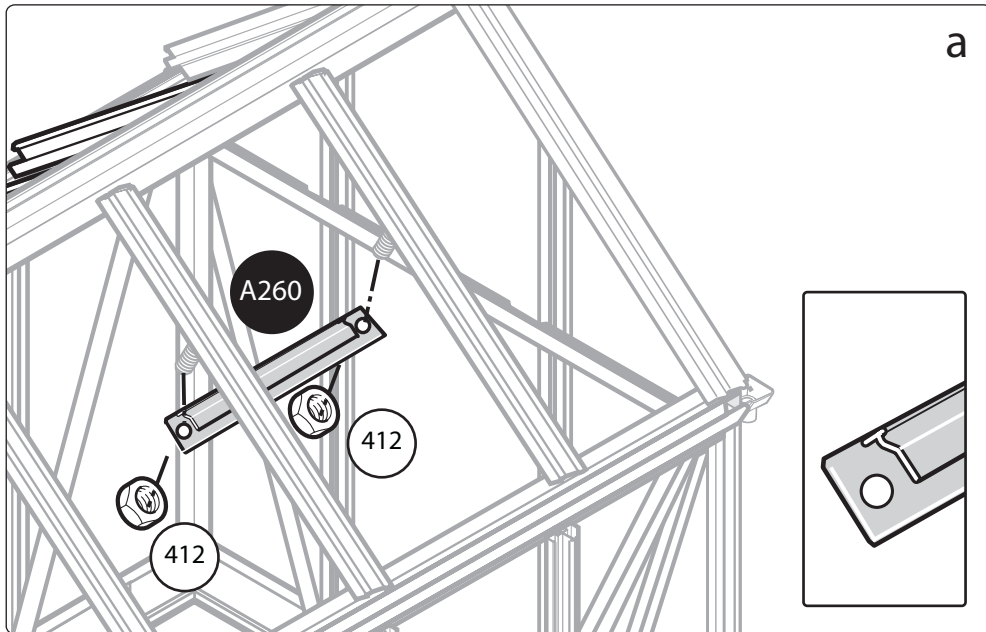
A102 / 6



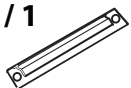
14

\*Insert the screws from the outside, tighten nuts only 2-3 turns and leave loose.

Assemble aluminum profile A260 using the additional screws you inserted on the previous step.



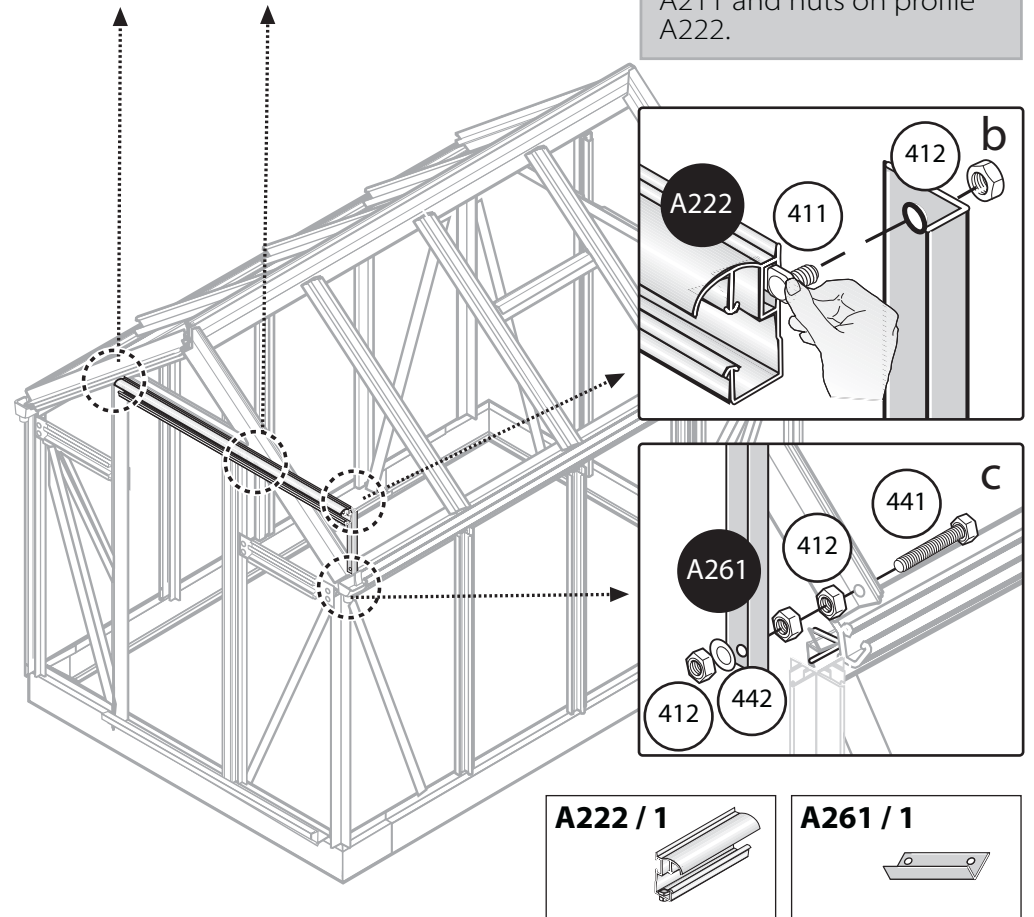
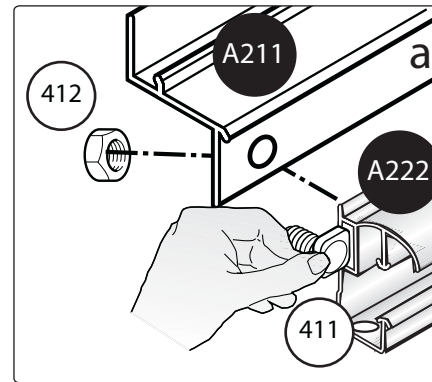
A260 / 1



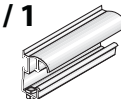
15

Assemble aluminum profiles A222 onto aluminum profiles A211 (a). Connect aluminum profile A222 (b) and aluminum profile A261 to profile A113 (c).

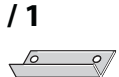
**Note:** level profile A222 on the left side with profile A211. Push profile A222 towards the upper end of profile A211 and nuts on profile A222.



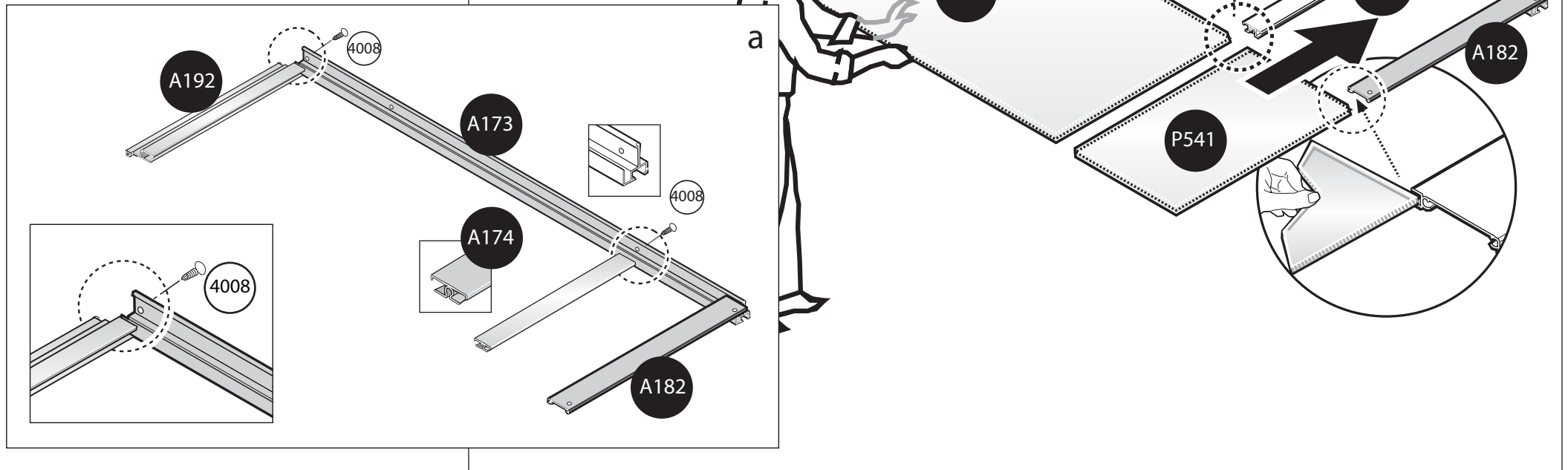
A222 / 1



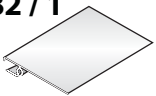
A261 / 1



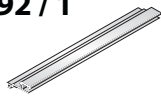
Lay the first profiles A173 (the second profile A173 will be used later) on a flat surface. Connect profiles A182, A174 and A192 on one side using screws 4008. Tighten all screws. Slide panel P540 between profiles A192 and profile A174. Slide panel P541 between profiles A174 and A182, push them all the way against profile A173.



A182 / 1



A192 / 1



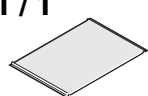
A173 / 2



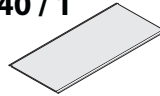
A174 / 1



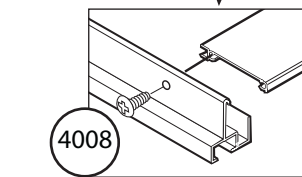
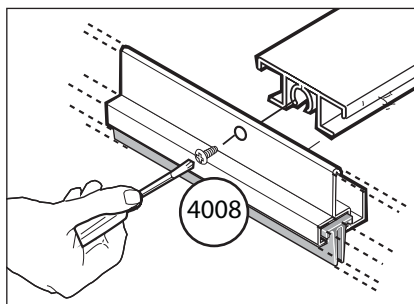
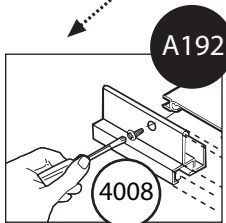
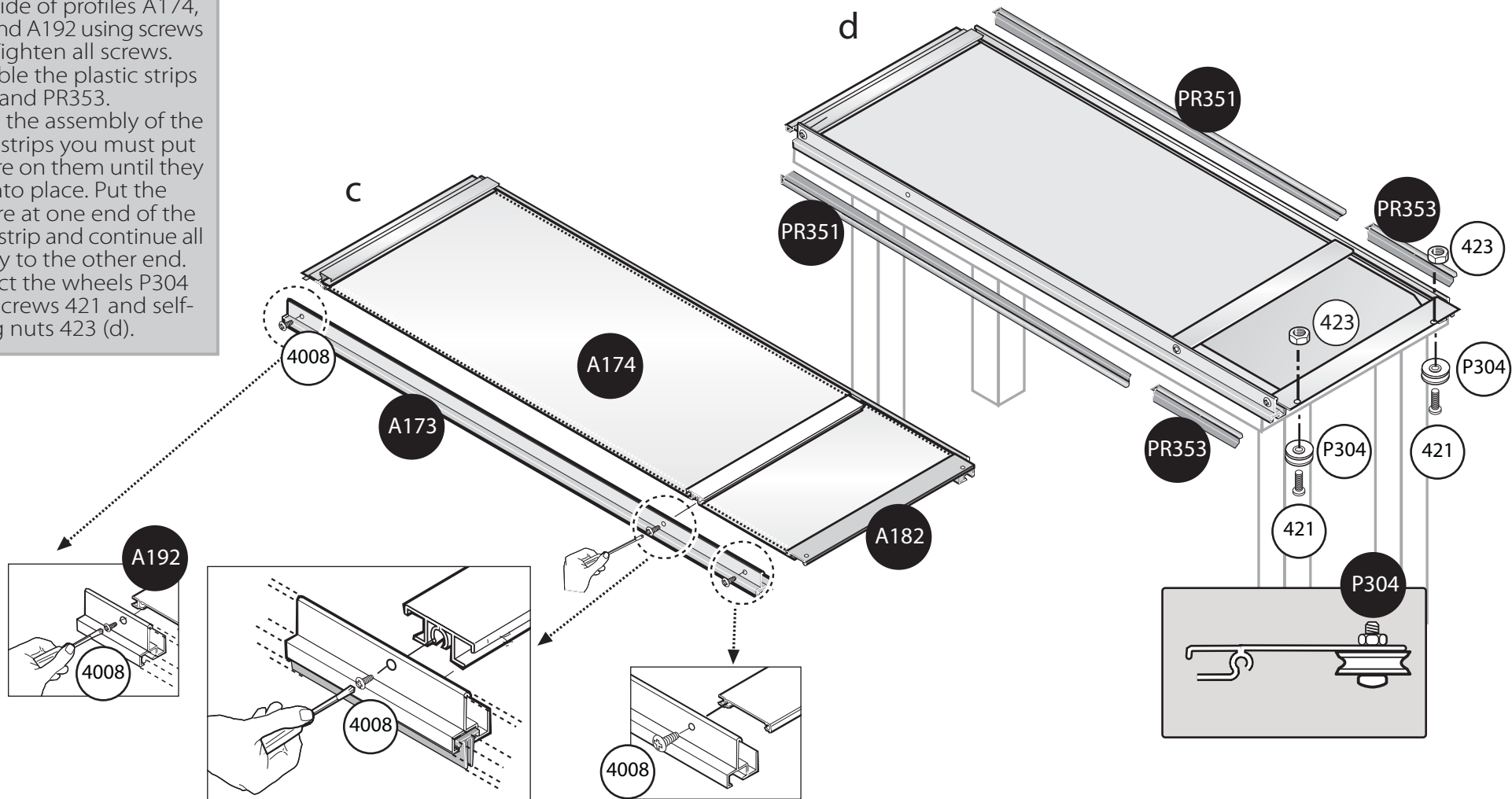
P541 / 1



P540 / 1



Assemble the second profile A173 and attach it to the other side of profiles A174, A182 and A192 using screws 4008. Tighten all screws. Assemble the plastic strips PR351 and PR353. During the assembly of the plastic strips you must put pressure on them until they snap into place. Put the pressure at one end of the plastic strip and continue all the way to the other end. Connect the wheels P304 using screws 421 and self-locking nuts 423 (d).



421 / 2



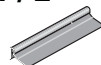
423 / 2



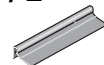
P304 / 2

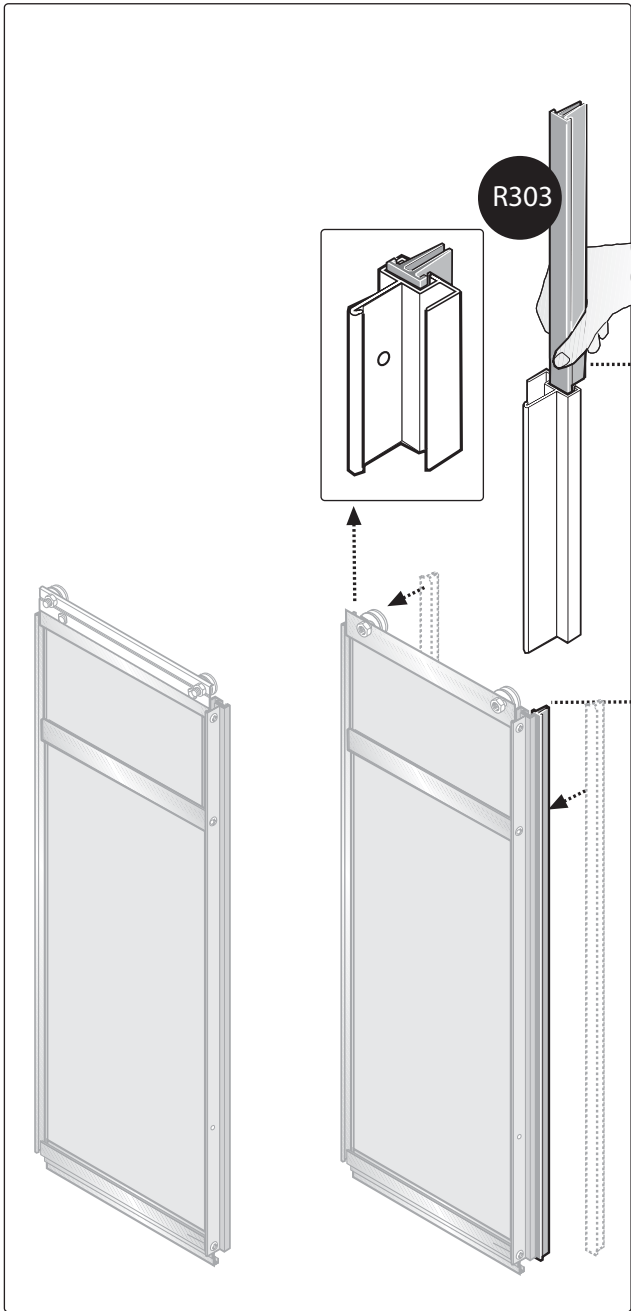


PR351 / 2

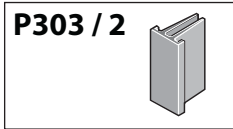


PR353 / 2





When inserting the rubber R303 apply some lubrication solution on the aluminum A173 if needed.

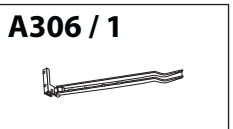
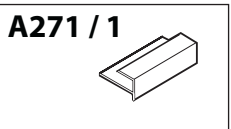
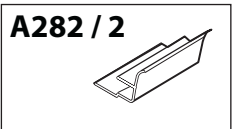
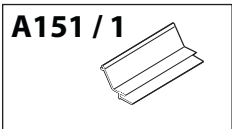
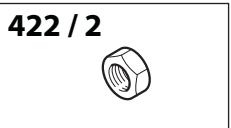
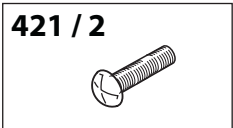
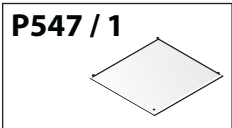
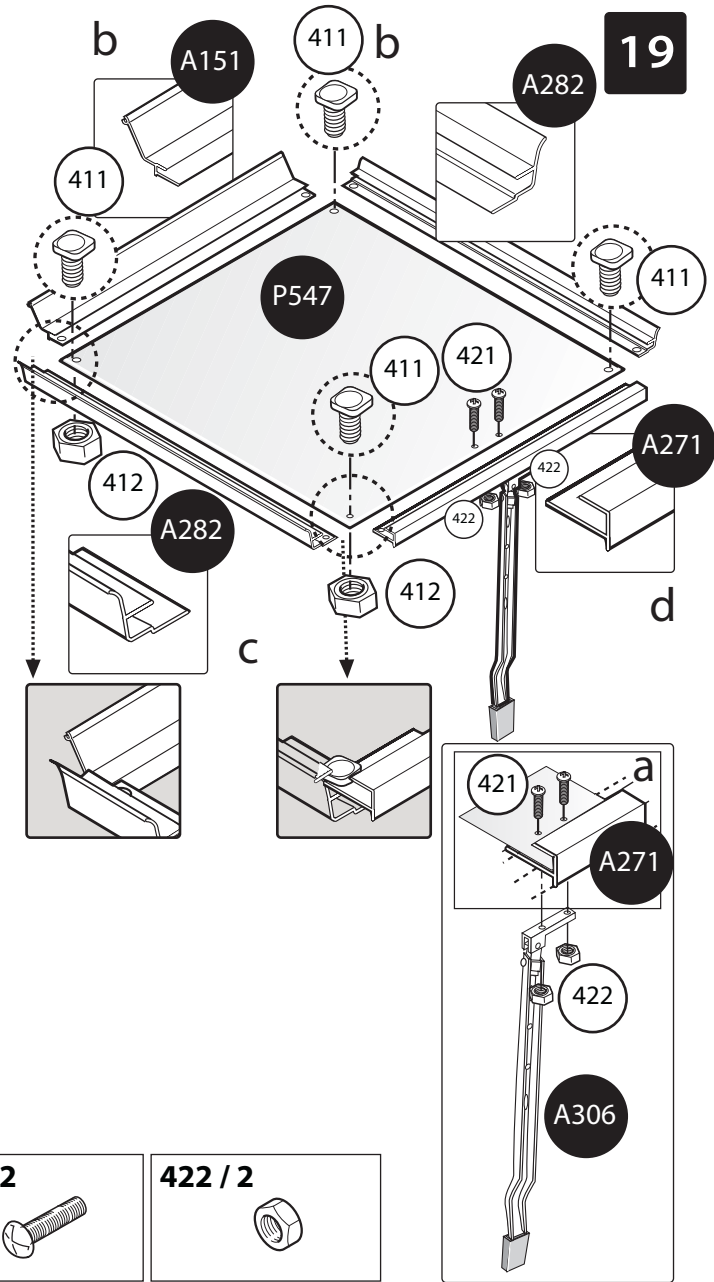


**VENT SUBASSEMBLY**

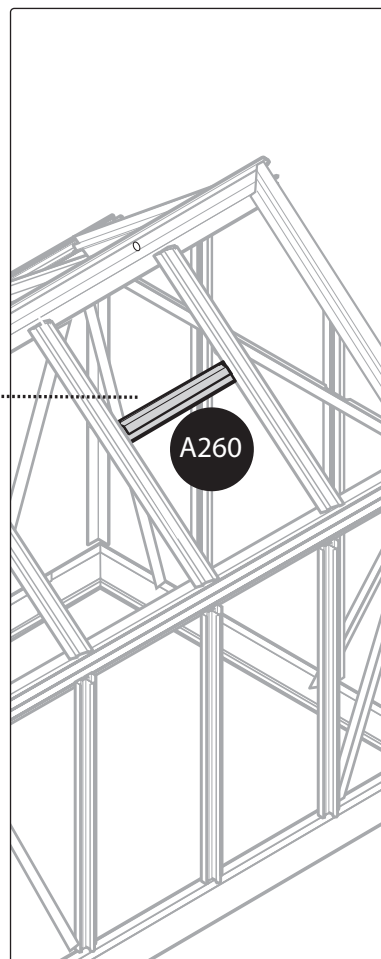
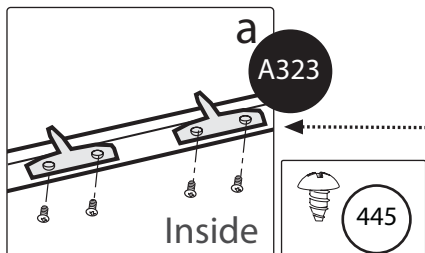
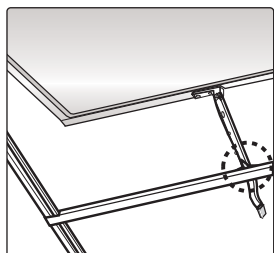
Slide panel P512 into the groove in profile A151(b). Slide profiles A282 on each side of panel P512 until they fit the holes on profile A151 ends and the two holes on panel P512(c). Connect corners with screws 411 and nuts 412.

Slide the final profile A271 until it fits the holes on both profiles A282 and the two holes on the panel P512(d). Connect corners with screws 411 and nuts 412.

Assemble the handle A306 to profile A271 and tighten screws 421(a) and nuts 422(a). Tighten all screws and nuts.



The brackets A323 should be connected to profile A260 using screws 445(a).



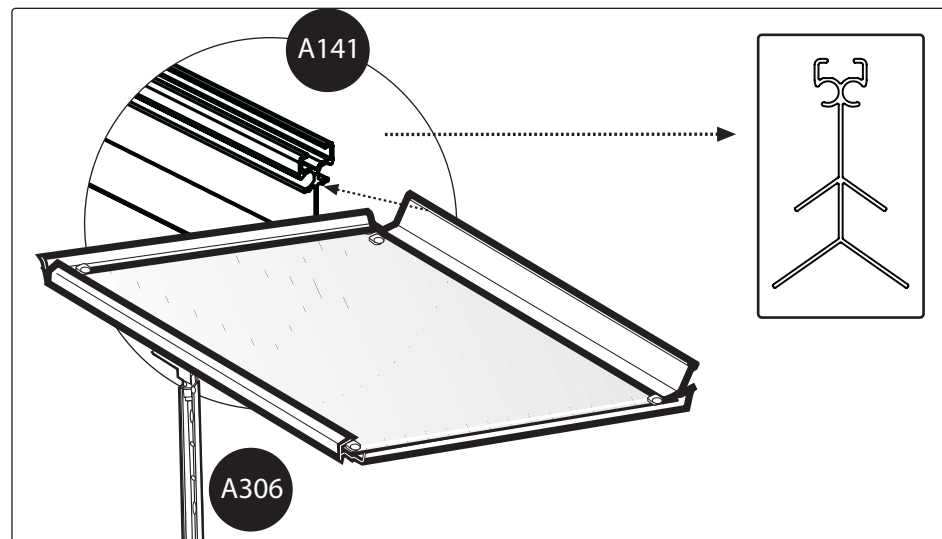
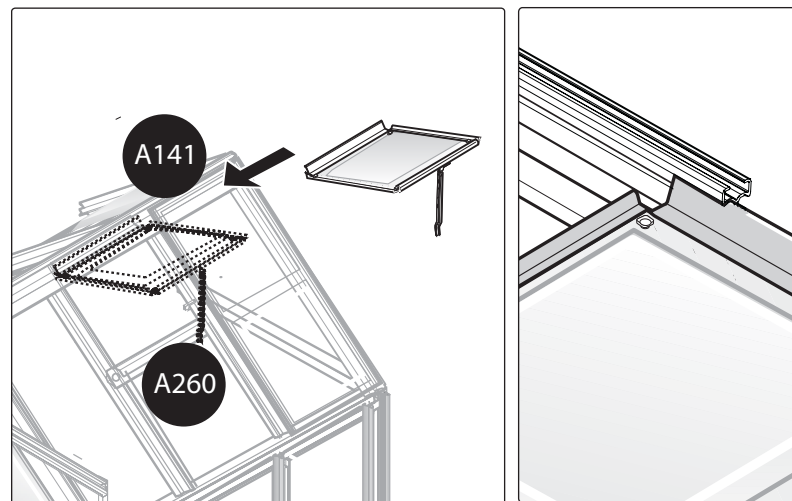
445 / 4



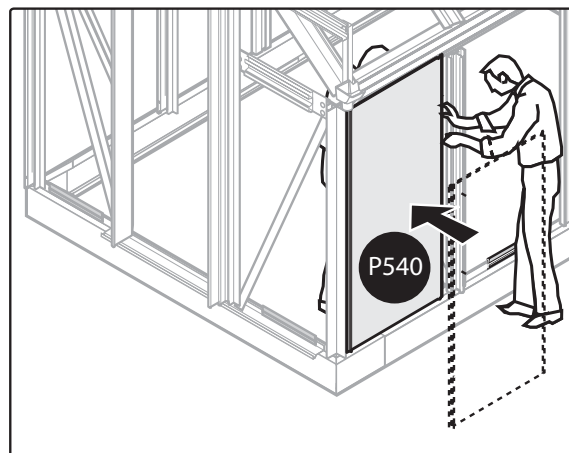
A323 / 2



To install the vent on the main beam aluminum profiles A141, hold it at an angle of 45° relative to the profile's plane (a) (slide it to the position between the two roof aluminum profiles A102 (b)). The handle A306 should rest on brackets A323 when the vent is in the CLOSED position. In the OPEN position, the vent can be secured in one of several angles, by catching a selected hole in the handle with the protruding tip of brackets A323.

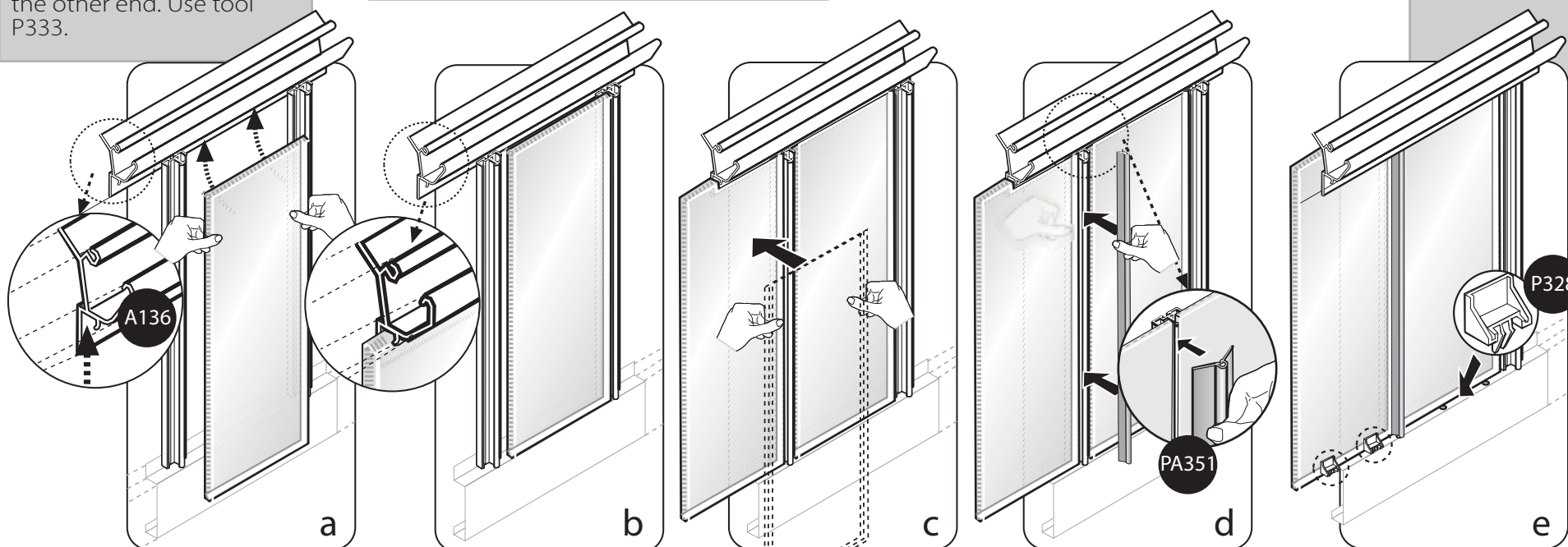


When you mount the panels on the walls slide them into the groove in the lower part of the gutter A136. Assemble panel P540, as shown in step 23. During the assembly of the plastic strips PA and PR you must put pressure on them from the inside as well as the outside, until they snap into place. Put the pressure at one end of the plastic strip and continue all the way to the other end. Use tool P333.

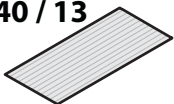


Insert two panel supports P328 in every wall section, into the predrilled holes in the base. Simply push it until you hear a "CLICK" sound.

**NOTE:** The smooth part of panel holders should face the wall panel.



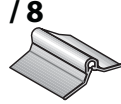
P540 / 13



P333 / 1



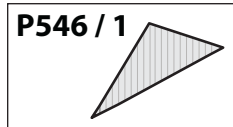
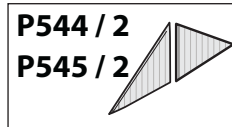
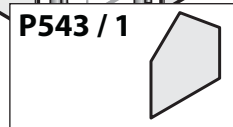
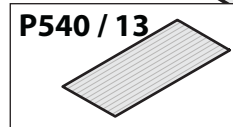
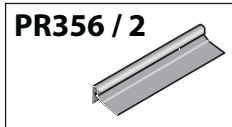
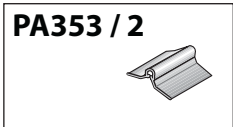
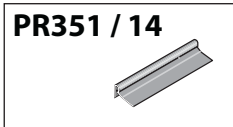
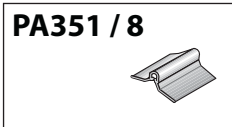
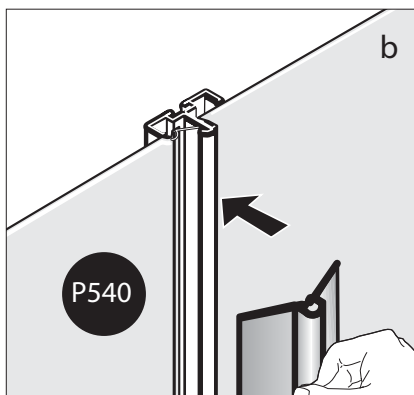
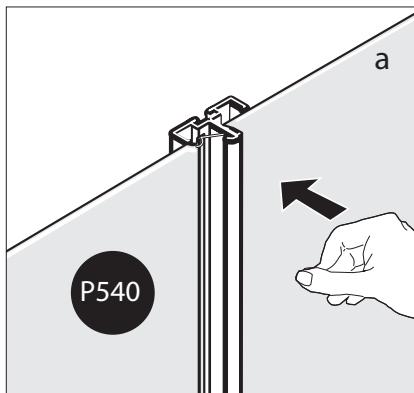
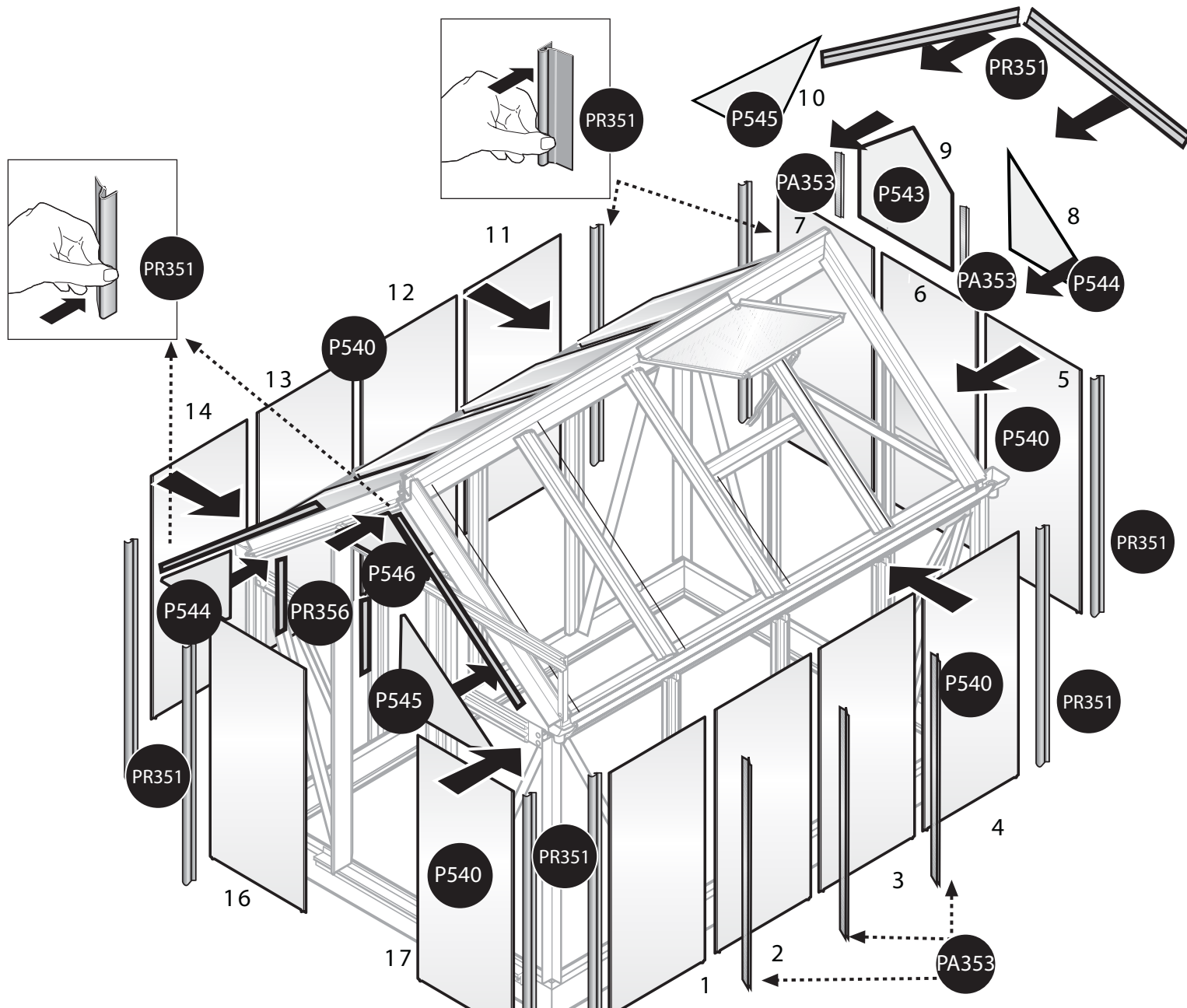
PA351 / 8



P328 / 26

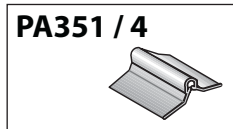
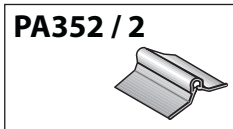
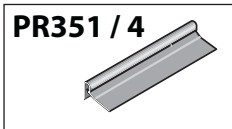
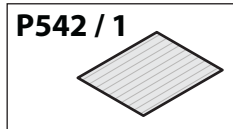
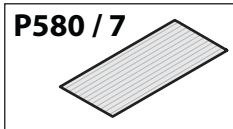
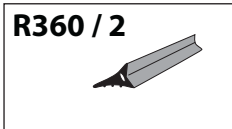
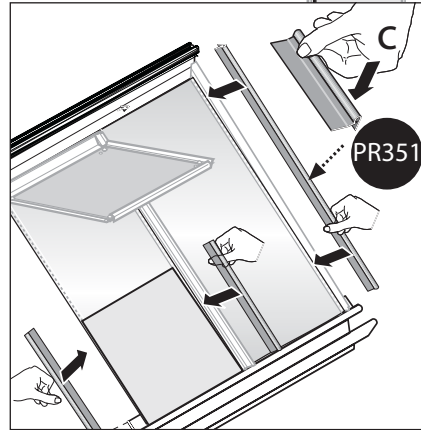
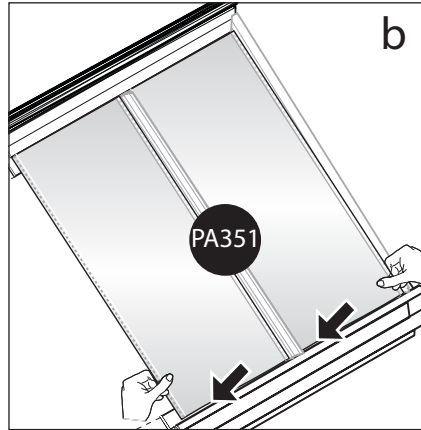
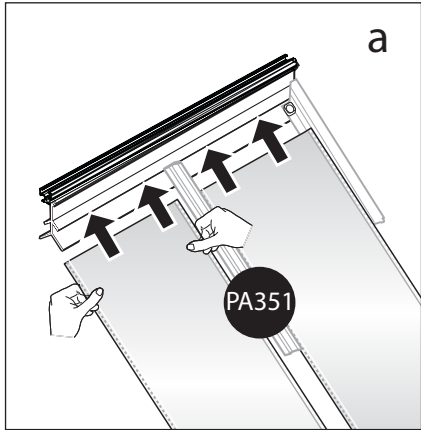
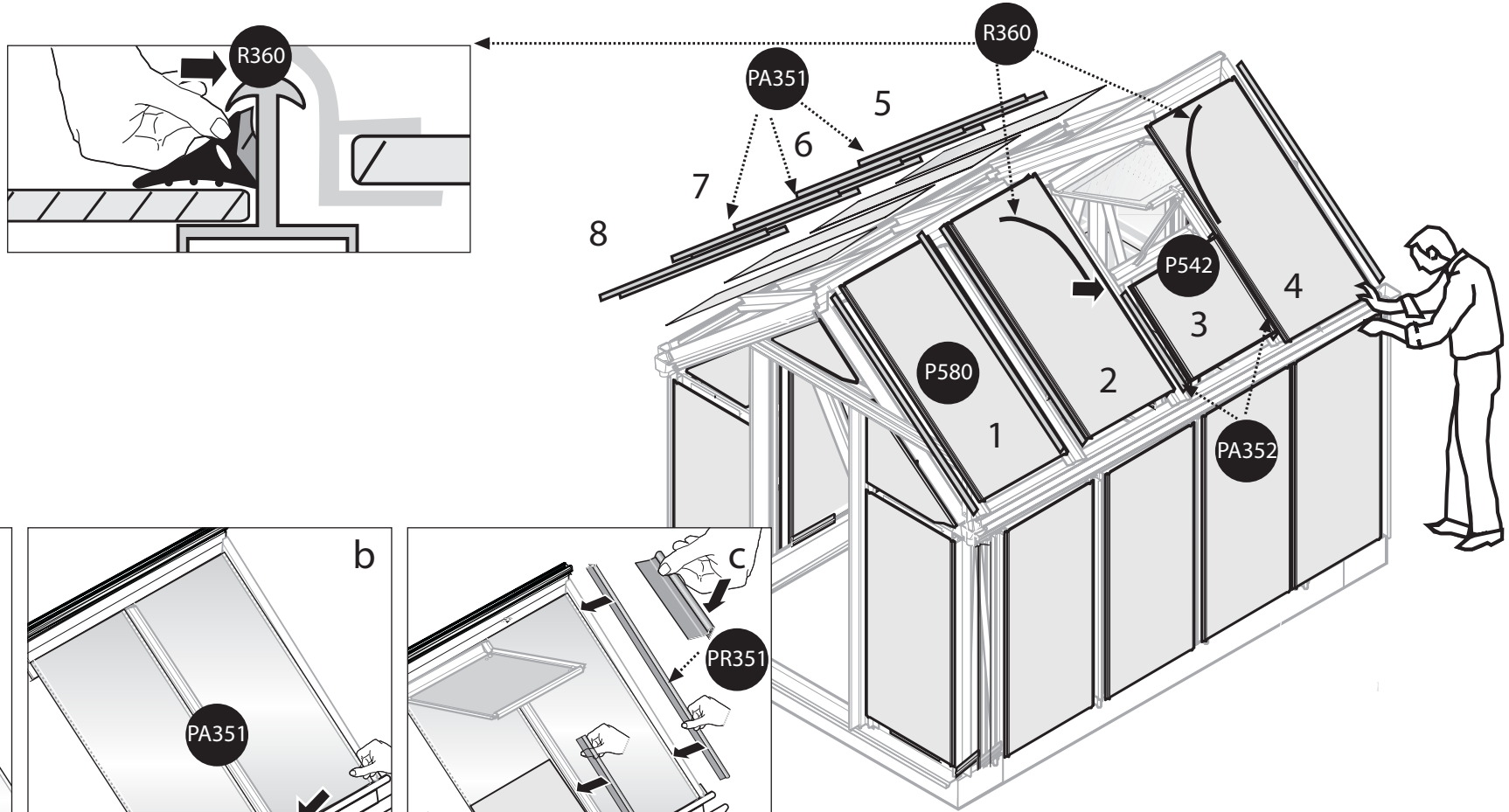


Pay special attention when assembling the panels at the front and the back of the greenhouse (P546, P544, P545 and P543). The plastic strips (PA351, PR351) should be installed only after ALL the panels (P546, P544, P545 and P543) are in position.

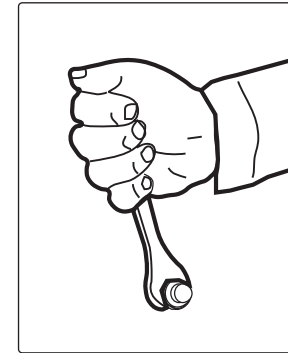
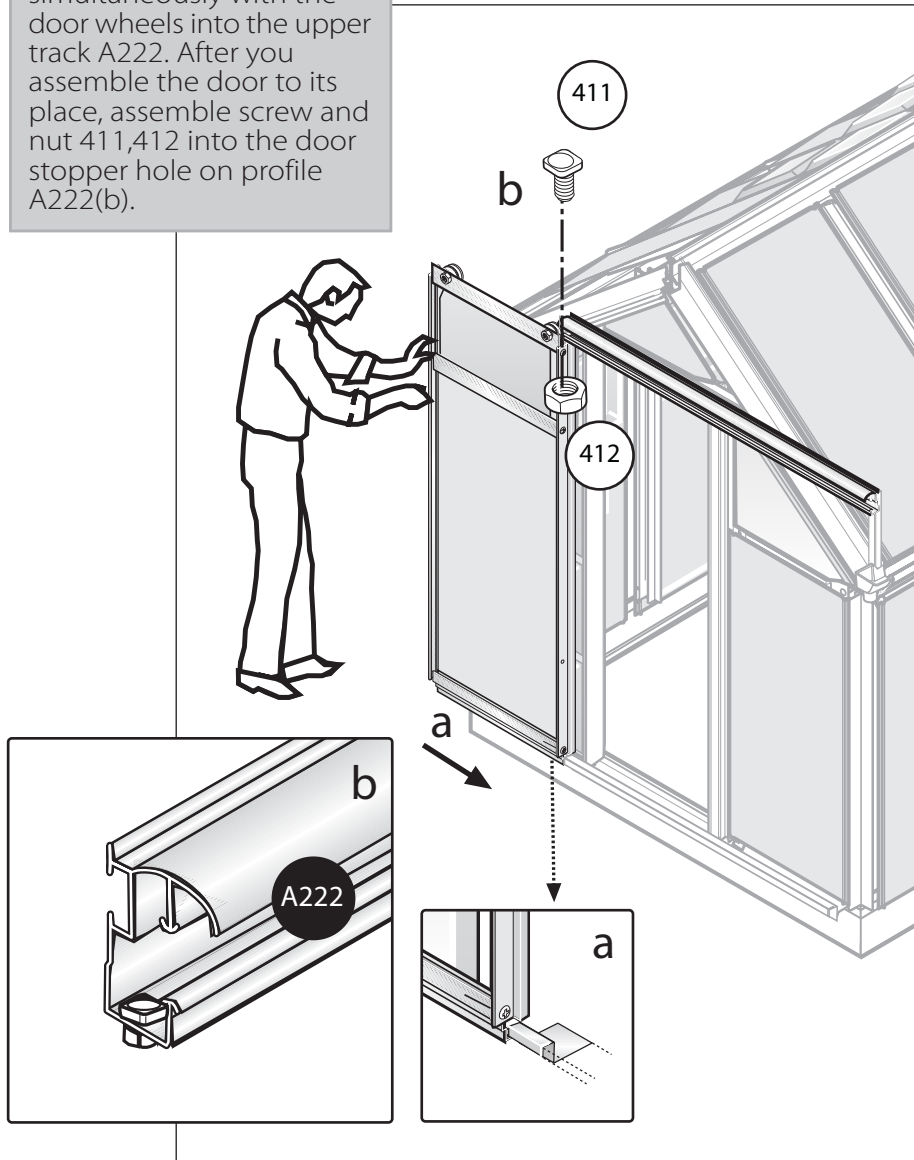


When you mount the panels on the roof slide them into the groove in the main beam A141 and then slide them, into the groove in A136. In this step you will need to support the structure profiles from the inside. Assemble the plastic strips as shown below.

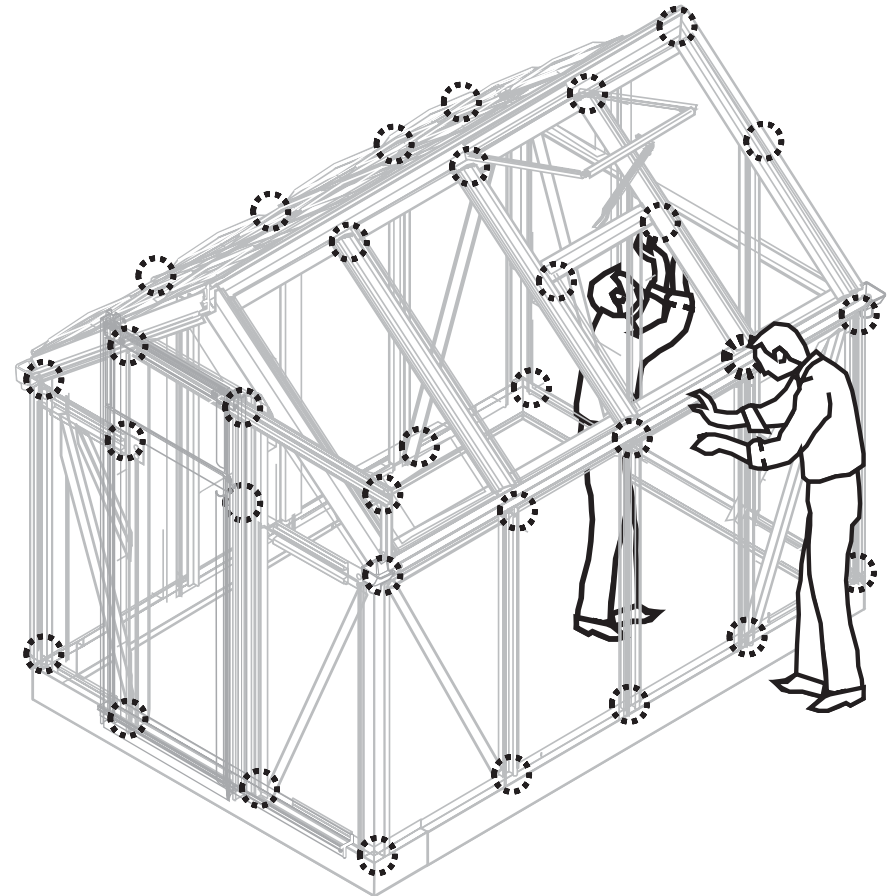
**NOTE:** A stepladder will be needed for this step.



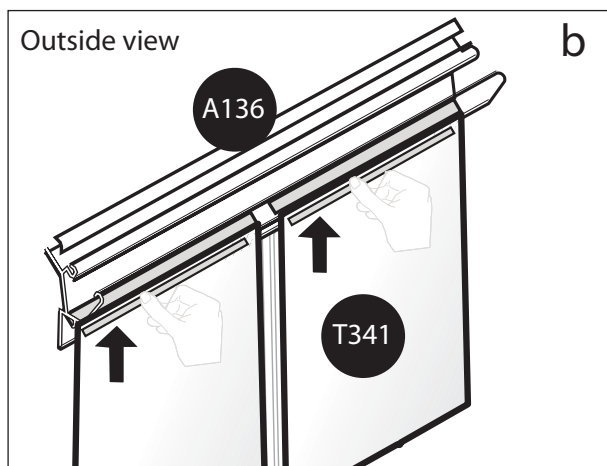
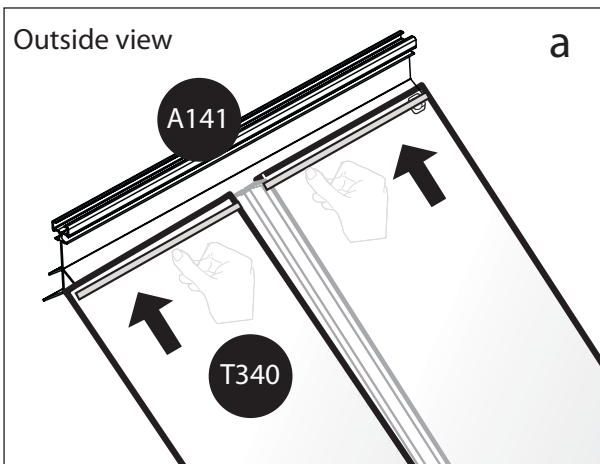
Insert the door lower track A192 inside the special aluminum rail A162 (a), simultaneously with the door wheels into the upper track A222. After you assemble the door to its place, assemble screw and nut 411,412 into the door stopper hole on profile A222(b).



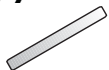
Tighten all screws and nuts. The greenhouse includes special screws and nuts tighten them with reasonable force.



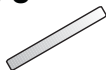
Insert the tube T340 from the inside under each of the roof panels in the groove of the main beam A141 (to support the panel from the inside).  
 Insert the tube T341 from the inside under each of the wall panels in the groove of the gutter A136 (to support the panel from the inside).



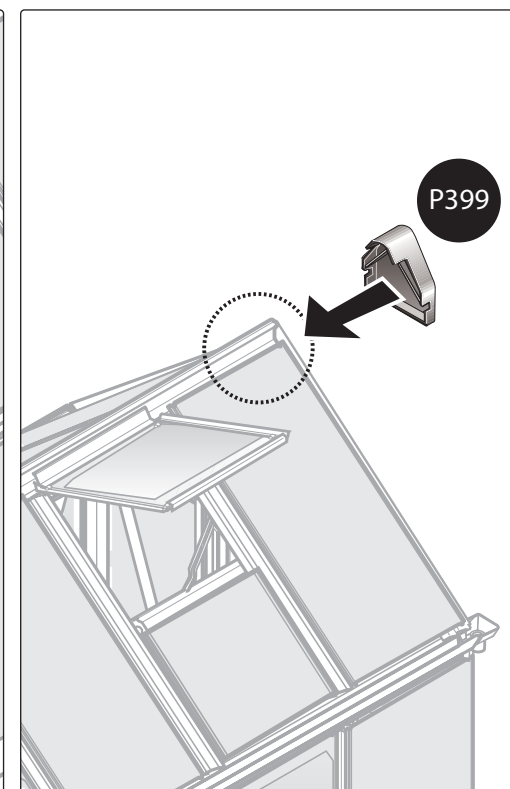
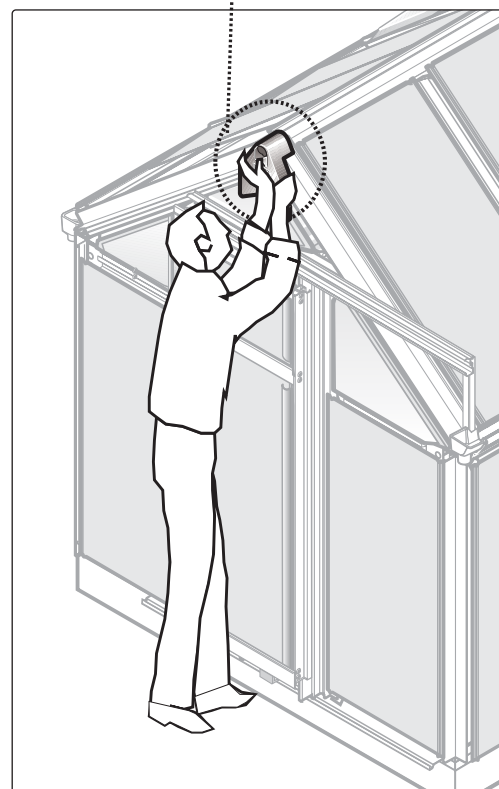
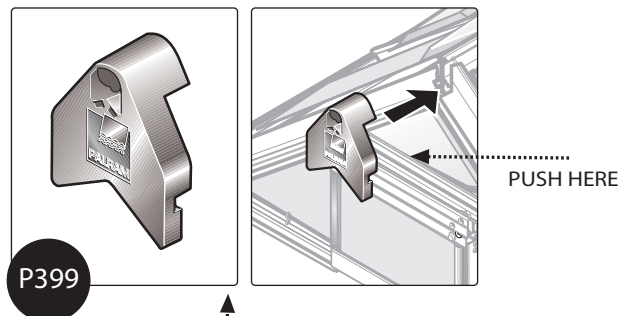
T340 / 7



T341 / 8



Push on the top cover P399 until it clicks.



P399 / 2



Firmly connect the greenhouse to its final, level position immediately after completion of the assembly, to withstand high winds effects.

The pegs M307 (spikes) are assembled from the inside of the greenhouse. Make sure to use the pre-punched notch in the bottom of the base.

