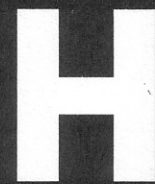


ASSEMBLY INSTRUCTIONS

Manhattan Obelisk



PLEASE READ THROUGH BEFORE YOU START ASSEMBLY

CHECK BOX FOR THESE CONTENTS

- (4) Lattice Side Panels
- (1) Copper Pyramid Cap
- (16) 1" Screws
- (4) Copper Nails

TOOLS YOU WILL NEED

- Phillips Screwdriver
- Hammer

STEP ONE: JOINING THE SIDE PANELS

NOTE: Four screw holes are drilled on the left edge of each panel. There is no pilot hole on right edge of the adjacent panel. Cedar is soft and will hold the screws well without them.

- A. Carefully hold two side panels aligned as shown in **diagram 1**. Drive the screw nearest the top first. Then drive the other three screws that join these panels.
- B. Repeat this procedure to join the other two panels so that all four corners are attached. See **diagram 2**.

STEP TWO: ATTACHING THE CAP

- A. Slide the copper cap over the top of the trellis as shown in **diagram 3**.
- B. Secure the cap to the trellis by driving the copper nails provided through the 4 holes in the edge of the copper cap into the trellis.

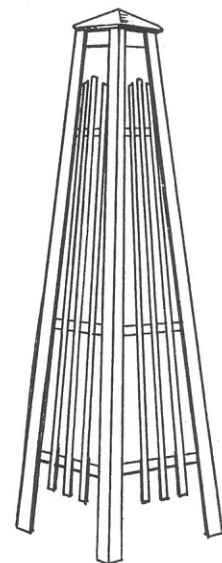


DIAGRAM 1

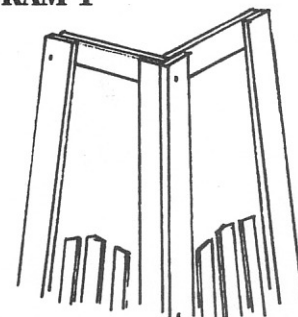


DIAGRAM 2

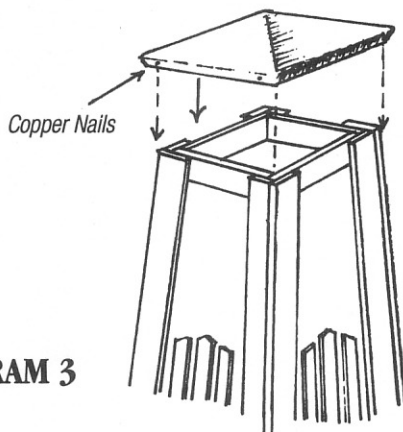


DIAGRAM 3

IWO CORPORATION

Portland, Oregon 97217 • Phone (503) 286-5372 • Toll Free Fax (888) 283-7661