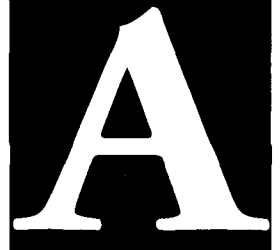


# ASSEMBLY INSTRUCTIONS

# Pyramid Trellis



PLEASE READ THROUGH BEFORE YOU START ASSEMBLY

## CHECK BOX FOR THESE CONTENTS

- ① 4 Lattice Side Panels
- ② 1 Box Cap (2 pieces if Ball type)
- ③ 16 Phillips Screws

**NOTE:** Your box cap may look different

## TOOLS YOU WILL NEED

- Phillips screwdriver

### HANDY TO HAVE:

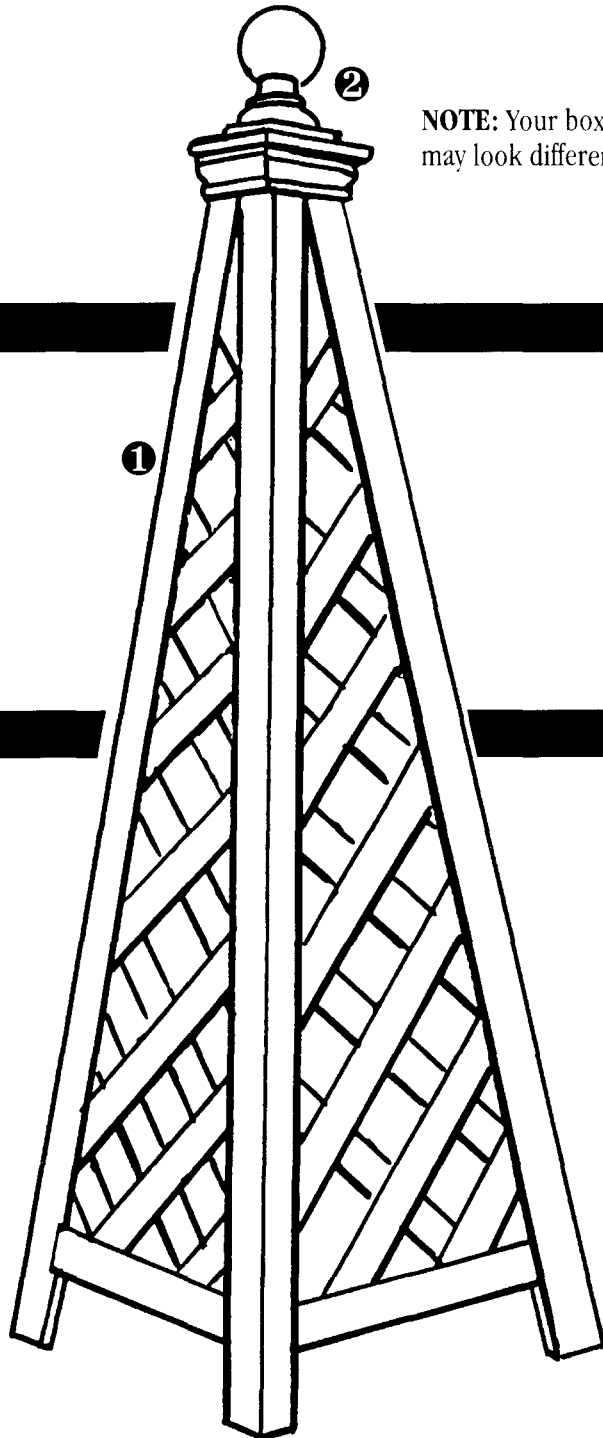
- Hammer
- Drill
- Water-resistant adhesive

## PRELIMINARIES

### GETTING STARTED:

Because of its size and light weight, this pyramid can easily be assembled on a table or workbench, but any clean, flat surface can be used. If you plan to paint your pyramid, we suggest doing so prior to assembly.

**PLEASE NOTE:** Four screw holes are pre-drilled down the left side of each lattice panel, but no pilot holes are provided to receive them. This is because cedar accepts screws easily and this method ensures maximum "bite". **BE SURE TO HOLD ALL PARTS FIRMLY IN CONTACT WHEN FASTENING.**



## STEP ONE: ATTACHING THE SIDE PANELS

- A. Hold two side panels together with one pre-drilled side flush against the edge of the right-hand side lath of the other section (see Diagram 1).

You can work with panels either upright or lying down.

- B. First drive in the screw nearest the top and then the bottom screw, taking care the frames align neatly at the corner. Install the other two screws.
- C. Repeat this procedure with the other two side panels.
- D. Stand up the two half-pyramids and join them together starting at the top. The corners should come together as shown, with screws indicated by arrows (see Diagram 2).

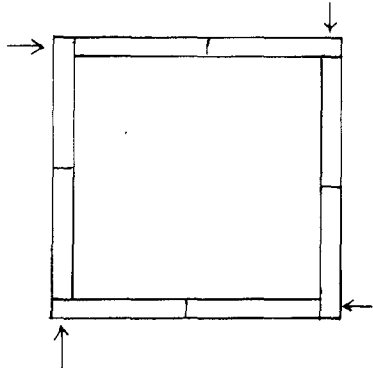


DIAGRAM 2

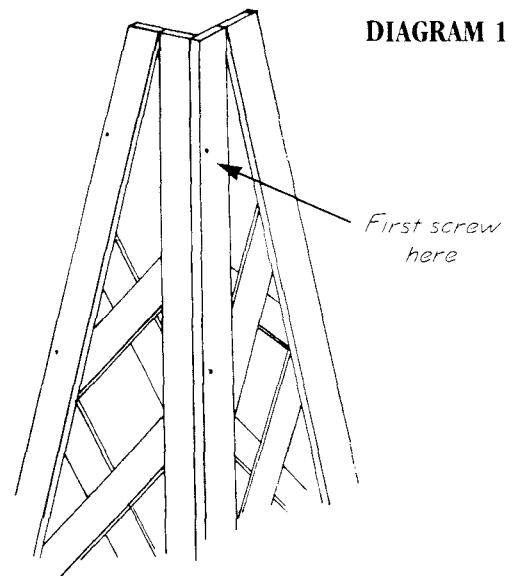


DIAGRAM 1

- E. When the pyramid is assembled, fit the box of the cap section over the top as shown in Diagram 3 (if you have chosen the ball type, the finial may be screwed into the cap either before or after it is set into place).
- F. If you wish, the cap may be secured to the pyramid frame by gluing it into place or by drilling small holes through the sides of the box section and driving in finishing nails or thin screws into the frame.

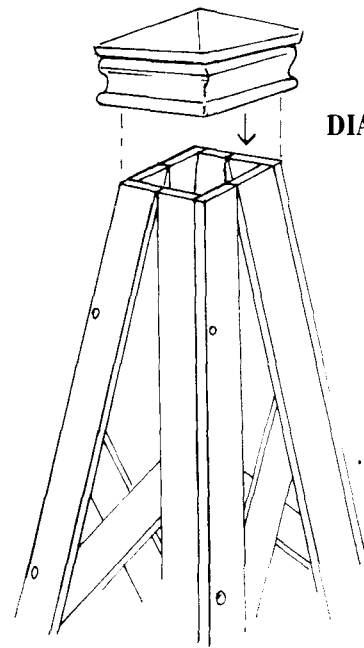


DIAGRAM 3

## STEP TWO: PLACING THE PYRAMID

- G. Your finished pyramid may be placed on the ground in your garden, on a deck or patio or mounted on a suitably-sized planter box. Because of its light weight, we recommend that it be tied to a garden stake or otherwise secured in position.