



Hammock Chair

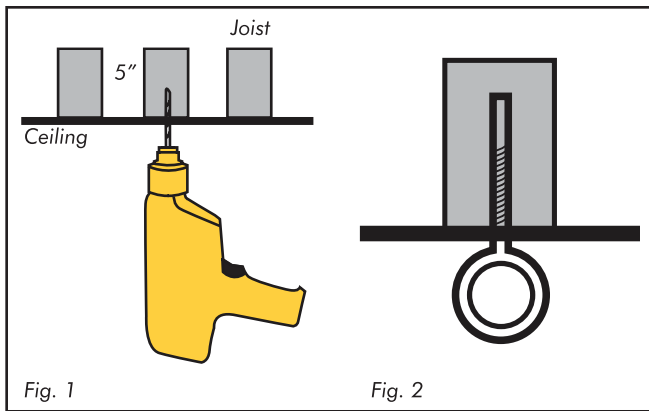
Assembly Guide



PARTS LIST

- | | |
|---|---------------------|
| (1) Hammaka Chair with Footrest, Cup Holder & Carrying Case | (1) Large "S" Hooks |
| (1) 36" Center Dowel | (1) Small "S" Hook |
| (1) 19" Footrest Dowel | (1) Eye Lag Screw |
| (2) 30" Armrest Dowels | |

Make sure all of the above pieces are included prior to hanging your chair. If anything is missing, please contact Hammaka at 877-426-6252.



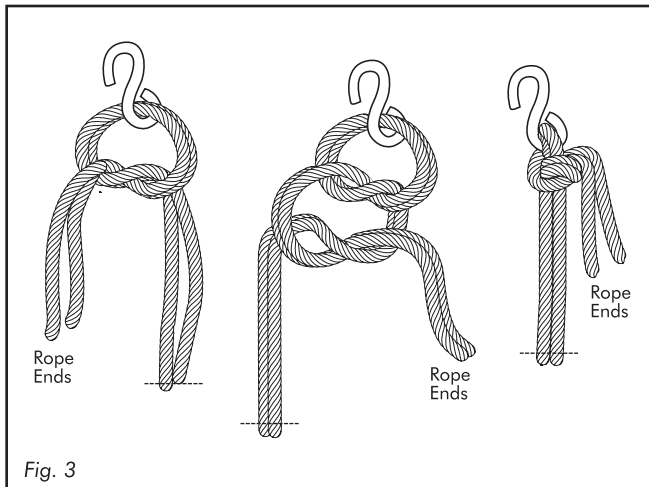
Step 1: INSTALLING THE EYE LAG SCREW

(skip this step if you are installing on a Hammaka Stand)

1. Locate the ceiling joist or beam, using a stud finder or similar tool. For your safety, be sure to locate the exact center of the joist.
2. Using a 3/16" wood drill bit, drill a hole (approximately 5" deep) perpendicular to the ceiling. THE HOLE MUST BE DIRECTLY IN THE CENTER OF THE STUD/JOIST FOR MAXIMUM WEIGHT BEARING CAPACITY (see fig.1) Failure to do so could cause loosening in the eyebolt.
3. Screw the included eye lag screw into hole until all threads have disappeared into the beam/joist (see fig.2)
4. Check and make sure the eyebolt is securely placed in to the beam/joist each time before sitting in the chair. Failure to do so could result in injury. Do not loosen or adjust the eye lag once it is in place.

Step 2: HANGING THE CRADLE CHAIR

1. Hang the chair from the installed eye lag by tying the ropes to the large S-hook. Align the two rope ends and pass through the smaller part of the large S-Hook. Knot the rope as shown in the illustration (see fig. 3). Pull knot tightly. Wrap any excess rope around the knot.



Step 3: INSTALLING DOWELS (see back side for dowel placement)

(Dowel pocket holders will be snug - please fit dowel in firmly).

CAUTION: Pulling or putting pressure directly on the dowel in any way could result in injury and/or breaking of the dowels. Please DO NOT pull up on any of the dowels.

1. Take large dowel (36") and place each side firmly into the black dowel pocket holders at the top of the chair (see fig. #4).
2. Take the two medium dowels (30") and place each into the black dowel pockets above the right and left armrests.
3. Firmly press each dowel into the side black dowel pocket holders.

Step 4: HANGING THE FOOTREST

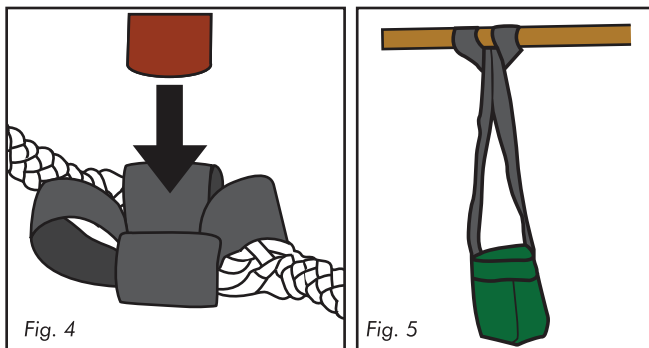
1. Take footrest rope and slide it through the small S-Hook.
2. Tie a secure knot (see fig. 3).
3. Attach small S-Hook onto large S-Hook in ceiling joist.
4. The footrest may be adjusted up and down for comfort.
5. Take the small dowel (19") and fit firmly into each side of black dowel pocket holders.

Step 5: HANGING THE CUP HOLDER

1. Wrap cup holder strap around large dowel (see fig. #5). Pull cup holder through opening and pull tight to secure cup holder.

Step 6: INFLATING THE HEADREST

1. Open and pinch valve to allow for air passage. Inflate to your desired firmness and close valve securely to avoid deflation.



CLEANING YOUR CHAIR

To wash, simply scrub with a soft brush using warm, soapy water and hang to dry. Do not use a washing machine, a tumble dryer, or any chemical bleaches/cleaners.





Hammock Chair

Assembly Guide



CAUTION!

DO NOT JUMP OR BOUNCE IN THE HAMMAKA HAMMOCK CHAIR; DOING SO MAY CAUSE SERIOUS INJURY OR DEATH!

The Hammaka Hammock Chair's maximum weight capacity is 350 lbs. Do not exceed maximum weight capacity. Inspect hooks, and hardware before each use for rust or loosening that makes this product unsafe to use. If the functionality of the hardware has been compromised in any way do not use this product as doing so may cause serious injury or death. It may be necessary to tighten the hardware each time before using this product due to hot or cold weather conditions. Inspect the overall condition of this product before each use. Children should not use the Hammock Chair without adult supervision. Do not hang your chair more than eighteen inches above the ground. Make sure there are no sharp objects or harmful debris below where you hang your hammock.

WARRANTY AND CARE INSTRUCTIONS

Two year warranty.

For maximum life of this product Hammaka recommends putting the item indoors when you are located in extreme weather conditions. Check all connections to make sure they are secure each time before and periodically while using the product. Check that the hardware has not rusted. Hammaka recommends using a rust inhibitor available at your local hardware store to prolong the life of the hardware when leaving it outdoors.

Clean with mild soap and warm water, scrubbing when necessary.

