



## P-Series Umbrella Installation Instructions

- These instructions are provided to facilitate assembly of the CAPRI umbrella, and for your safety.
- Please follow the instructions carefully.
- Failure to do so may result in damage to objects or injury to people. If in doubt, always consult an expert.
- Keep this handbook for future reference.

### IMPORTANT SAFETY INSTRUCTIONS

**1. INSTRUCTIONS** - Please completely read and follow all the instructions. Damage or injuries may result if the umbrella is not assembled and used as described herein. For safe use it is essential that anyone using the umbrella should have read all the instructions in advance. Only persons familiar with all safety aspects should operate this umbrella.

**2. PRECAUTIONS** - The CAPRI umbrella is intended for sun protection, not as protection from all bad weather. It must be closed and removed from the frame in case of strong winds or storms, as well as heavy rain or snow. Always close and remove the umbrella from the frame at night, when you are not at home and whenever it is not under control. The base must be ballasted with a minimum weight of 100 kg (200 lbs). Always remove the handle from the winch and keep it out of children's reach.

### ASSEMBLY INSTRUCTIONS

**COMPONENTS** (fig. 1): A: base - B: hook - C: base tube - D: vertical pole - E: cantilever pole - F: umbrella - G: winch - H: handle - I: clamps  
M: bag with mounting accessories.

**BASE ASSEMBLY** (fig. 2 - fig. 2 a): assemble the base as shown in fig 2 - place the four slabs in the base using the hook (B). The 2 adjustment screws (K) allow leveling of the base (A). **IMPORTANT:** always fix the 2 feet (I) at the base (A).

**CAUTION:** tighten the base bolts well. and ballast the base with a weight of at least 200 kg (400 lbs).

**FRAME ASSEMBLY** (fig. 3 - fig.3a - fig. 3b - fig. 3c - fig. 3d – fig. 4):

1. (fig 3a) insert the cantilever pole (E) into the vertical pole (D) and fix the two parts with the bolts (P).

**CAUTION:** tighten the bolts (P) well.

2. (fig 3b) Slide the vertical pole (D) over the base pole (C). **IMPORTANT:** the vertical pole (D) must be pushed down all the way into the square housing of the orientation ring (O).

3. (fig. 3c) take the umbrella (F) and slide the umbrella attachment (R) over the cantilever pole (E).

**CAUTION:** the umbrella attachment (R) must be pushed in all the way onto the cantilever pole (E).

4. (fig.3) pass the cord (Z) over the pulley (S).

5. (fig. 3d) screw in the handwheel (T) into the threaded hole of the vertical pole (D).

6. insert the winch slot (G) onto the hand wheel (T). Next insert the winch (G) pin (b) into the hole (b') of the vertical pole (D)

and screw the hand wheel (T) well in.

7. insert the handle (H) into the hole of the winch (G).

8.(fig. 3) put the 4 cover caps (N) onto the nuts.

Your umbrella is now ready for use.

# HOW TO USE YOUR UMBRELLA

## **OPENING THE UMBRELLA (fig.3 - 5)**

**IMPORTANT:** before opening the umbrella remove the tie string and, by pulling the ribs with your hands, slightly open the umbrella.

To open the umbrella, gently turn the handle (H) of the winch (G) clockwise, taking care not to force the mechanism.

**IMPORTANT:** (fig. 5) after having opened the umbrella, connect the short stabilizer (L) to its fitting on the frame, using the locking pin (Q).

**IMPORTANT:** (fig.5a) insert the cord (Z') into the cleat (L'). This prevents accidental closing of the umbrella.

## **ROTATION OF THE UMBRELLA AROUND THE BASE (fig. 4):**

(fig. 4) the frame can rotate 360° around the base and can be fixed in 12 different positions by inserting the pin (U) into the adjustment ring (O).

## **REMOVAL OF THE UMBRELLA FROM THE FRAME (fig. 3 – 3d -5 – 5a):**

**IMPORTANTE:** (fig. 5) to avoid damage, release stabilizer rib (L) from the fitting on the frame.

1. (fig.5a) remove the cord (Z') from the cleat (L').
2. (fig. 3) close the umbrella by turning the handle (H) counter clockwise.
3. (fig. 3 – 3d) loosen the hand wheel (T), remove the winch (G) from the vertical pole (D) and remove the rope (Z) from the pulley (S).
4. (fig. 3) remove the umbrella (F) from the frame by sliding the attachment (R) off the cantilever pole (E).

# MAINTENANCE AND CARE

## **REMOVAL OF THE WINCH AND THE FABRIC COVER OF THE UMBRELLA (fig. 6 - 6a - 6b):**

1. (fig. 6) unscrew screw (V) to free the rope (Z).
2. (fig. 6a) unscrew the screws (V'') and release the grommet tabs (X) from the ribs (W).
3. (fig. 6b) remove the screws (V') from the umbrella attachment (R).
4. remove the umbrella attachment (R) from the umbrella pole (J).
5. remove the rope (Z) from the umbrella pole (J) and from the umbrella attachment (R); in this way you can remove the winch (G) from the umbrella (fig. 6b).
6. remove the cover from the umbrella pole (J).

## **CHANGING A RIB (Fig.6a, 7, 7a):**

1. (fig. 6a) unscrew the screw (V'') and release the grommet tab (X) from the rib (W).
2. (fig. 7) release the rib (W) to be exchanged from the lower hub(Y') by pulling forcefully upwards.
3. (fig. 7a) rotate the rib by 180° and release the other end from the upper hub(Y'') by pulling forcefully upwards.
4. exchange the rib and repeat the operations described above in reverse order

## **WASHING THE COVER:**

1. remove the cover from the umbrella.
2. hand wash the cover in tepid water - about 30° C (90° F) - with a mild detergent.
3. dry the cover, but do not tumble dry or iron it.
4. place the cover on the frame.

## **STORING THE UMBRELLA AT THE END OF THE SEASON:**

At the end of the season, before storing your CAPRI away, clean the frame with a damp cloth and dry it.

**CAUTION:** check the integrity of all the components. Should any part be damaged contact the dealer where it was purchased and order the required spare parts.

Touch up any possibly chipped paint.

For perfect conservation of the CAPRI during the winter months it is advisable to only store it in a dry place.

**IMPORTANT:** to avoid damage caused by mildew or oxidation never put your CAPRI away when wet or damp.

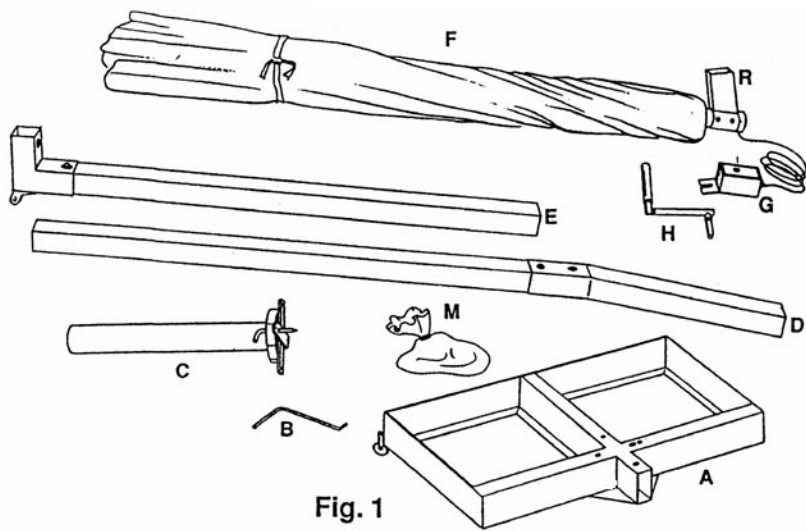


Fig. 1

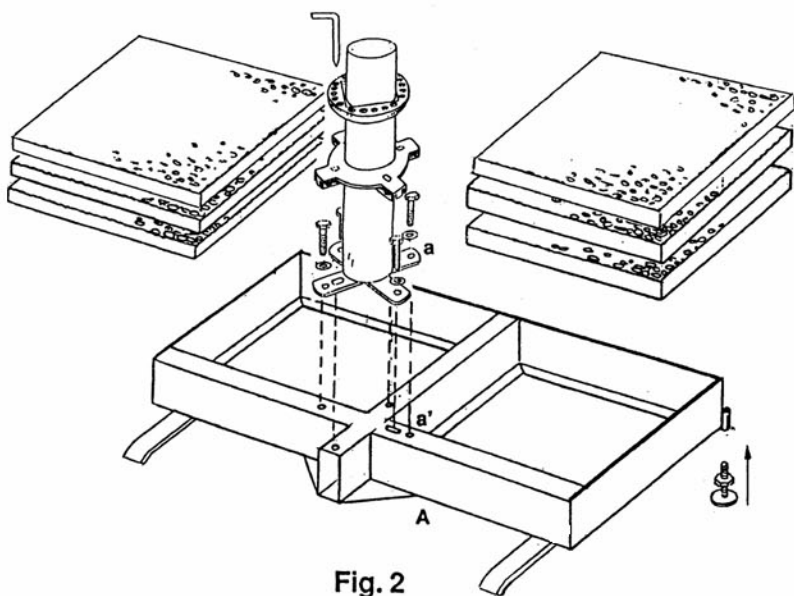


Fig. 2

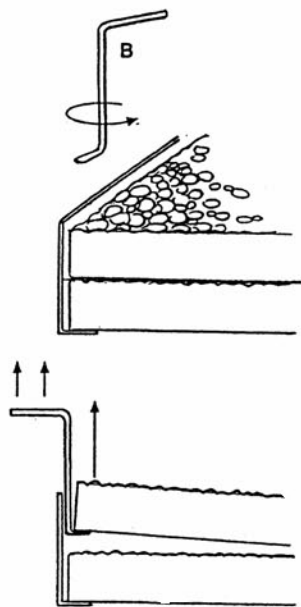


Fig. 2a

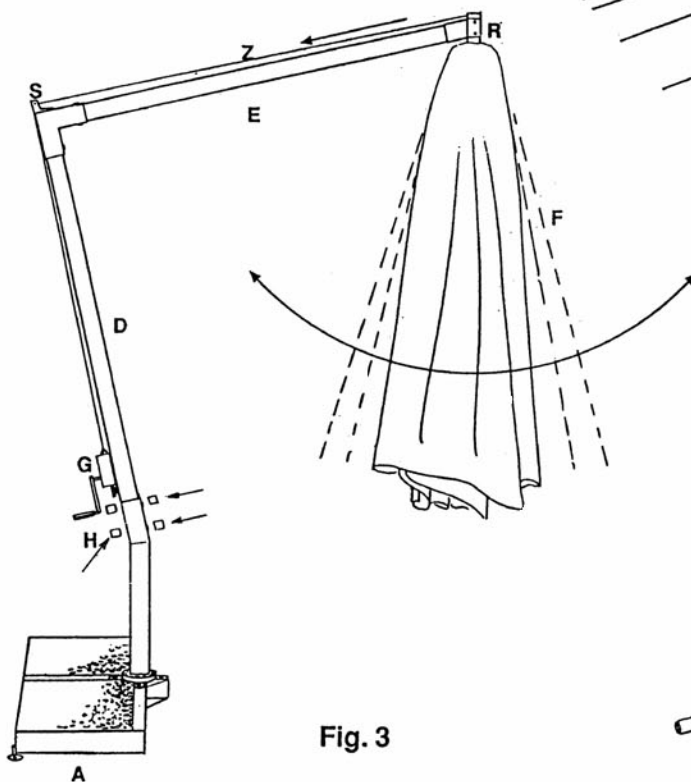


Fig. 3

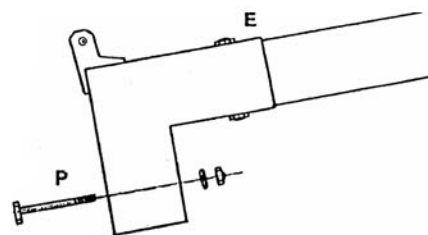


Fig. 3a

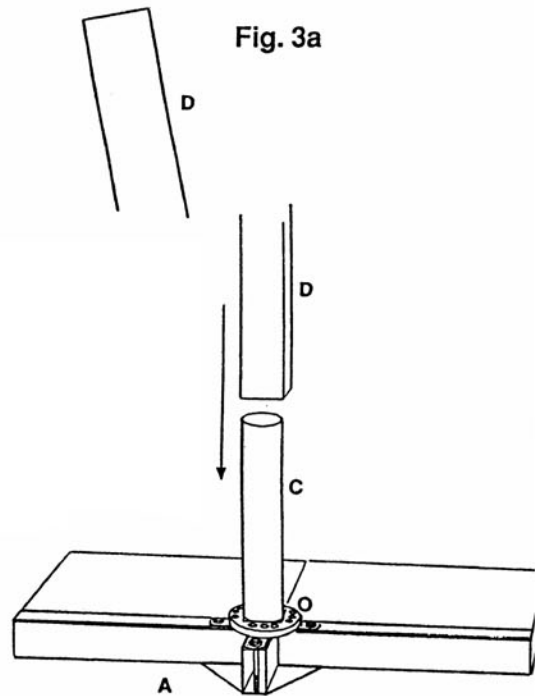


Fig. 3b

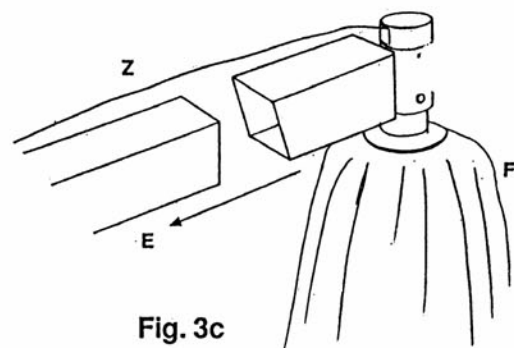


Fig. 3c

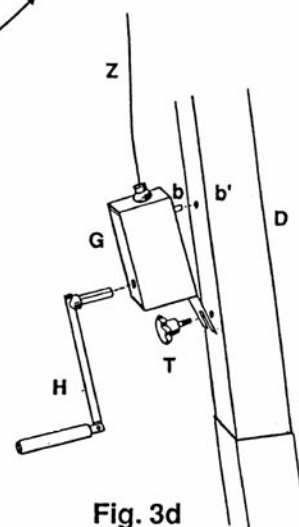


Fig. 3d

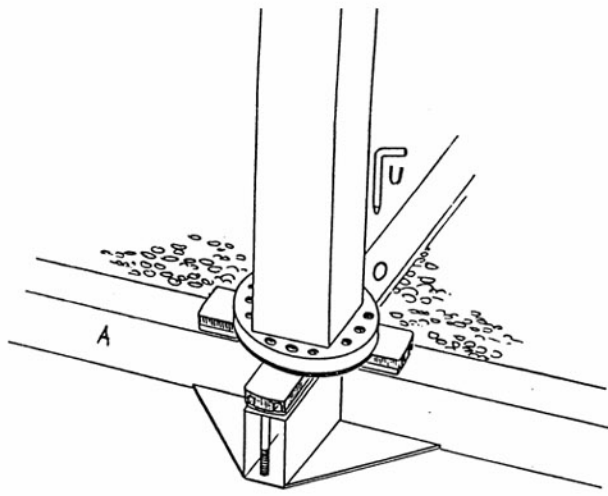


Fig. 4

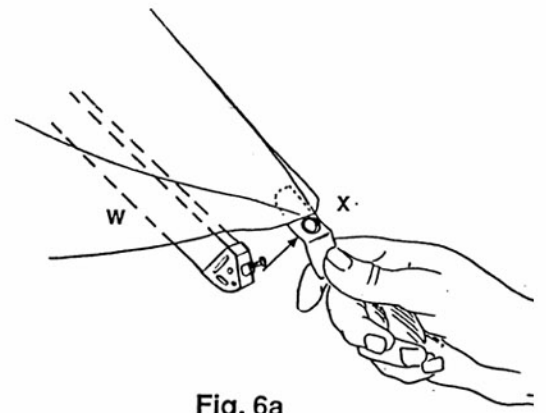


Fig. 6a

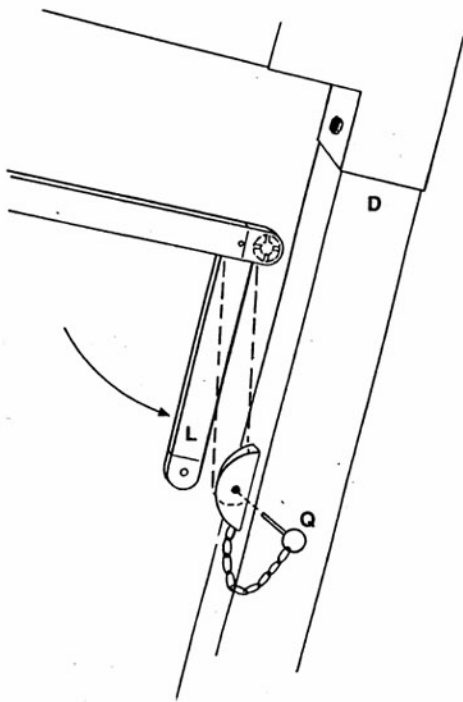


Fig. 5

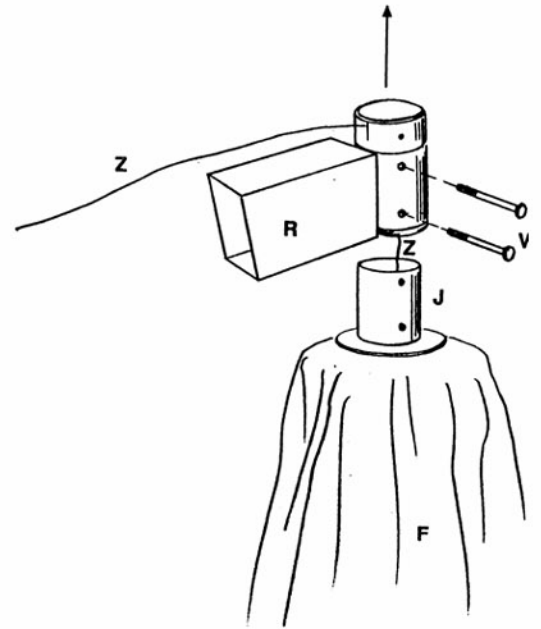


Fig. 6b

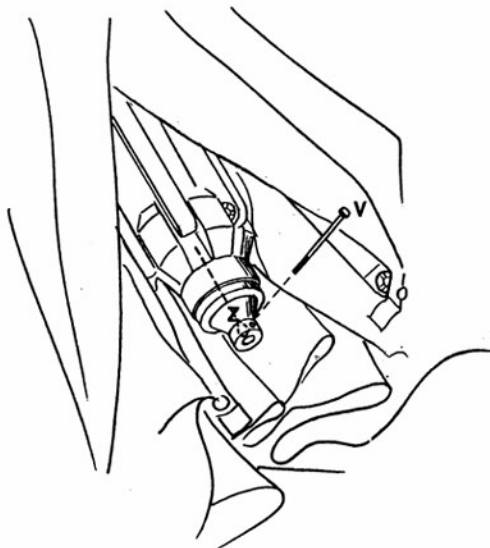


Fig. 6

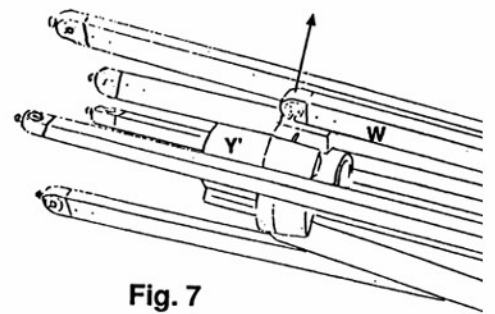


Fig. 7

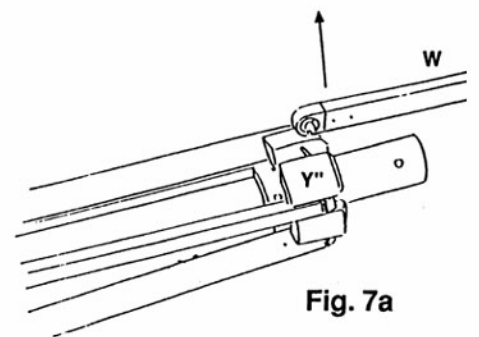


Fig. 7a