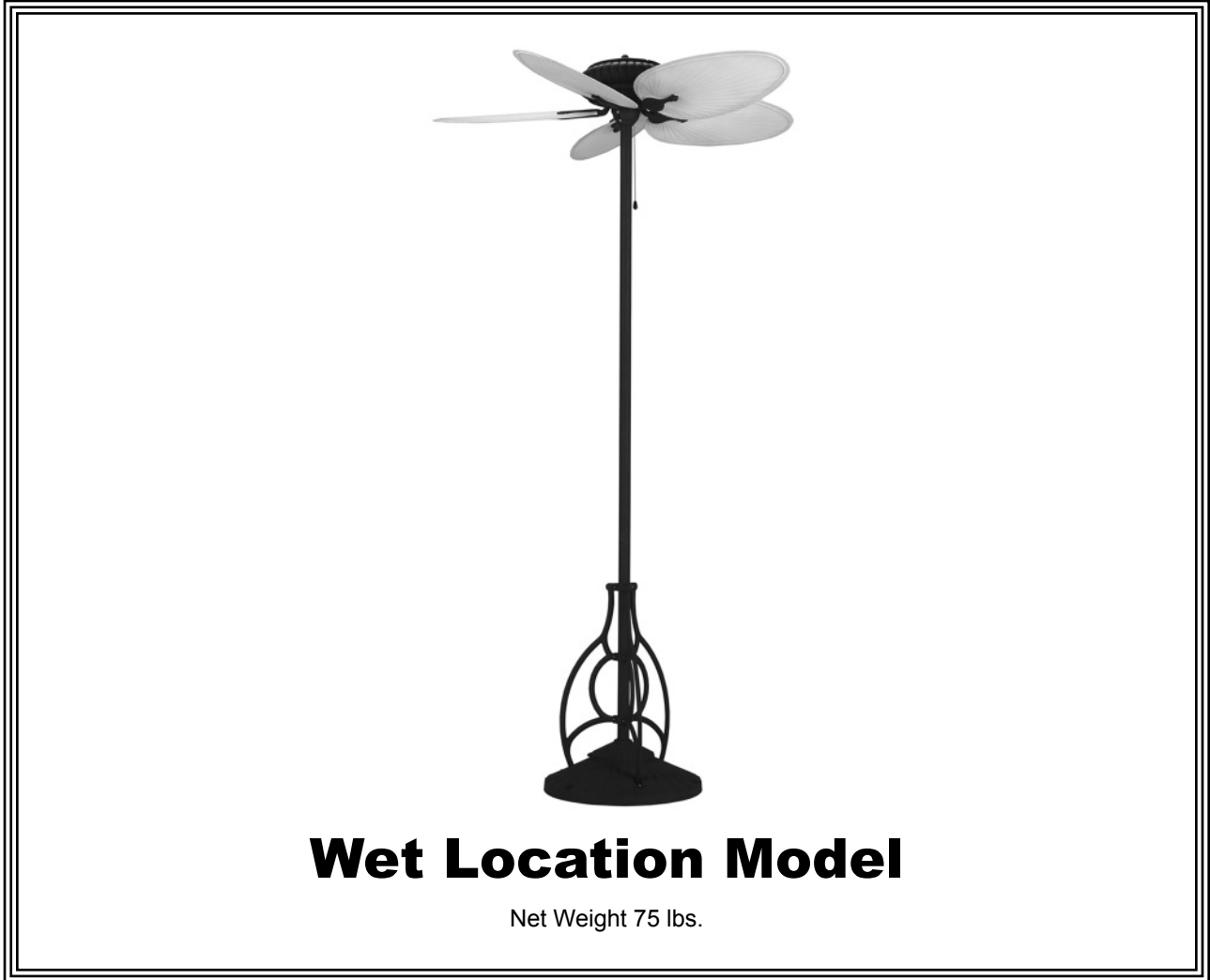


The Torrento[®]

Pedestal Fan



Model No. FP920

OWNER'S MANUAL
READ AND SAVE THESE INSTRUCTIONS



Important Safety Instructions

WARNING: To avoid fire, shock and serious personal injury, follow these instructions.

1. Read your owner's manual and safety information before installing your new fan. Review the accompanying assembly diagrams.
2. Before servicing or cleaning unit, switch power off at service panel and lock service panel disconnecting means to prevent power from being switched on accidentally. When the service disconnecting means cannot be locked, securely fasten a warning device, such as a tag, to the service panel.
3. Be careful of the fan and blades when cleaning, painting, or working near the fan. Always turn off the power to the fan before servicing.
4. Do not insert anything into the fan blades while the fan is operating.
5. Do not operate reversing switch until fan blades have come to a complete stop.

Additional Safety Instructions

1. To avoid possible shock, be sure electricity is turned off at the fuse box before wiring, and do not operate fan without blades.
2. All wiring and installation procedures must satisfy National Electrical Codes (ANSI/ NFPA 70-1999). Use the National Electrical Code if Local Codes do not exist. The Pedestal fan must be grounded as a precaution against possible electrical shock. Electrical installation should be made or approved by a licensed electrician.
3. The fan base must be securely mounted and capable of reliably supporting at least 100 lbs. Outlet boxes are not acceptable for fan support. See page 8 of owner's manual for support requirements.
4. **CAUTION:** To reduce the risk of personal injury, mount the fan base to the floor using the hardware provided with your fan.
5. The fan must be mounted with the fan blades at least 7 feet from the floor to prevent accidental contact with the fan blades.
6. Follow the recommended instructions for the proper method of wiring your Pedestal fan.

WARNING: To Reduce The Risk Of Fire, Electric Shock, And Injury To Persons, FP920 Toronto® Pedestal Fan Must Be Installed With Support Shaft And Blades That Are Marked "For Use Only With Fanimation FP920 Toronto® Pedestal Fan" To Indicate The Suitability With This Model. Other Support Shaft And Blades Cannot Be Substituted.

WARNING: This product is designed to use only those parts supplied with this product and/or accessories designated specifically for use with this product. Using parts and/or accessories not designated for use with this product could result in personal injury or property damage.*

WARNING: To reduce the risk of personal injury, do not bend the blade bracket (flange or blade holder) when installing the brackets, balancing the blades, or cleaning the fan. Do not insert foreign objects in between rotating fan blades.

LIMITED LIFETIME WARRANTY

Extends to the original purchaser of a Fanimation Fan

1. LIMITED LIFETIME MOTOR WARRANTY - If any part of your fan motor fails, due to a defect in materials or workmanship during the lifetime of the original purchaser, Fanimation will provide the replacement part free of charge, when the defective fan is returned to our national service center. Proof of purchase is required. Customer shall be responsible for all costs incurred in the removal or reinstallation and shipping of the product for repairs or replacement.
2. ONE YEAR MOTOR LABOR WARRANTY - If your fan motor fails at any time within one year from the original purchase, due to defects in materials or workmanship, labor to repair the motor will be provided free of charge at our national service center. Purchaser will be responsible for labor charges after this one-year period. Customer shall be responsible for all costs incurred in the removal or reinstallation and shipping of the product for repairs or replacement.
3. If any other part of your fan fails at any time within one year after original purchase, due to a defect in materials or workmanship, we will repair, or replace, at our option, the defective part free of charge for parts and labor performed at our national service center.
4. Because of varying climate conditions, this warranty does not cover changes in the finish, including rusting, pitting, corroding, tarnishing, or peeling.
5. This warranty is void and does not apply to damage from improper installation, neglect, accident, misuse, exposure to extremes of heat or humidity, or as a result of any modification to the original product.
6. All costs of removal and reinstallation of the fan are the sole responsibility of the owner of the fan and not the store that sold the fan or Fanimation.
7. Fanimation reserves the right to modify or discontinue any product at any time and may substitute any part under this warranty.
8. Under no circumstances may a fan be returned without prior authorization from Fanimation. The receipt of purchase must accompany authorized returns and must be sent freight prepaid to Fanimation. The fan to be returned must be properly packed to avoid damage in transit; Fanimation will not be responsible for any damage resulting from improper packaging.
9. It is understood that any repair or replacement is the exclusive remedy available from Fanimation. There is no other expressed or implied warranty. Fanimation hereby disclaims any and all implied warranties, including, but not limited to those of merchantability and fitness for a particular purpose to the extent permitted by law. Some states do not allow limitations on implied warranties. Fanimation will not be liable for incidental, consequential, or special damages arising out of or in conjunction with product use or performance, except as may otherwise be accorded by law. This warranty gives you special legal rights and you may also have other rights that vary from state to state.
10. A certain amount of wobble is normal and should not be considered a problem or a defect.

Table of Contents

Unpacking Instructions	3
Electrical Requirements	4
How to Assemble Your Pedestal Fan	4
Mounting the Fan Blades	7
Mounting Fan Base to Floor.....	8
Operating Instructions - Pull Chain.....	9
Maintenance	9
Blade Cleaning	9
Parts List	10
Exploded-View Illustration	11
Trouble Shooting.....	12

This Manual is Designed to Make it as Easy as Possible for You to Assemble, Install, Operate, and Maintain Your Pedestal Fan

Tools Needed for Assembly

- One Phillips head screwdriver
- One stepladder
- One ¼" blade screwdriver

CAUTION

To Reduce the Risk of Personal Injury, this Product Must be Secured as Described Below.

⚠ WARNING

Before assembling your floor fan, refer to section on proper method of wiring your fan (page 4). If you feel you do not have enough wiring knowledge or experience, have your fan installed by a licensed electrician.

⚠ WARNING

To Reduce The Risk Of Fire Or Electric Shock, Do Not Use This Fan With Any Solid-State Speed Control Device.

NOTE: This Product Intended For Outdoor Use **ONLY**.

Unpacking Instructions

For your convenience, check-off each step. As each step is completed, place a check mark. This will ensure that all steps have been completed and will be helpful in finding your place should you be interrupted.

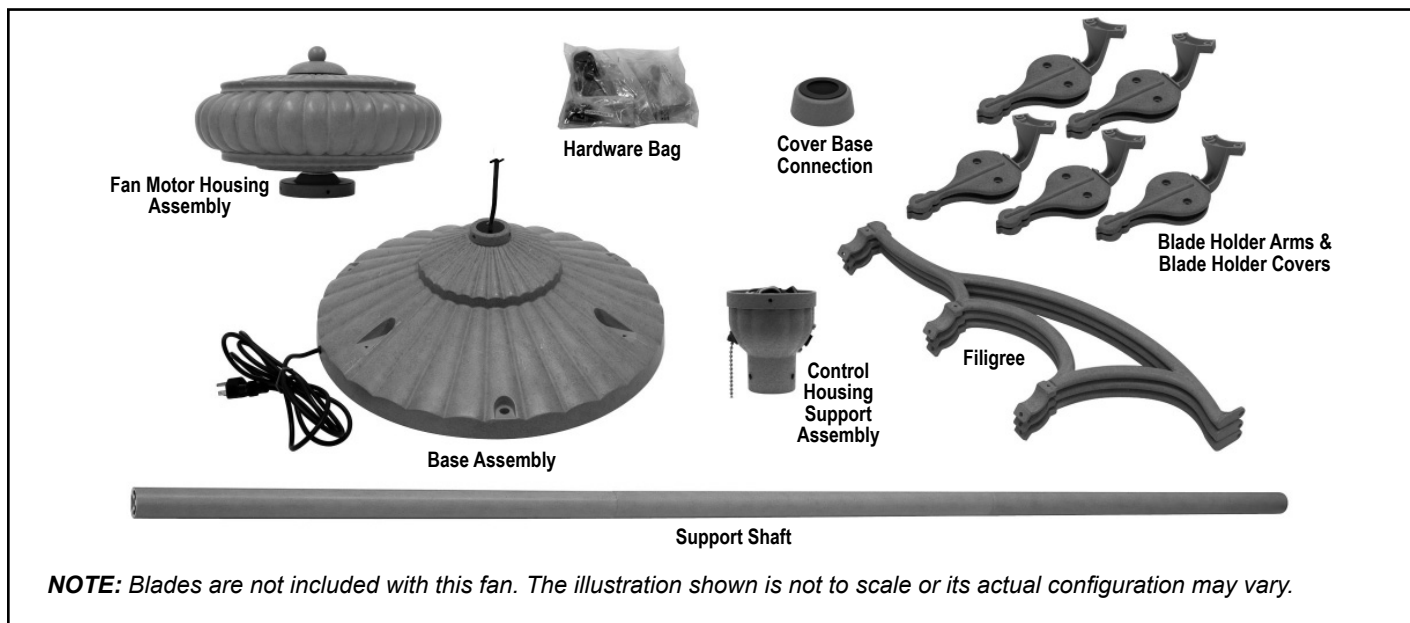
⚠ WARNING

Do not install or use fan if any part is damaged or missing. This product is designed to use only those parts supplied with this product and/or any accessories designated specifically for use with this product by Fanimation. Substitution of parts or accessories not designated for use with this product by Fanimation could result in personal injury or property damage. Contact your retail store for missing or damaged parts.

1. Check to see that you have received the following parts:

NOTE: If you are uncertain of part description, refer to exploded view illustration. (Figure 1, page 11)

- Fan Motor Housing assembly
- Control Housing Support assembly
- Base assembly
- Cover Base Connection
- Filigree (3)
- Support Shaft
- Blade Holder Arms (5)
- Blade Holder Covers (5)
- Hardware bag (cont'd):
 - Five Control Housing Support screws
 - Seven set-screws
 - Ten Filigree Mounting screws with lock washers & locknuts
 - Four Filigree Base Mounting screws with flat washers
 - "T" Allen head wrench (2)
 - Phillips Screwdriver, 4"
 - Three ¾" Lag Shields
 - Three ¾" Lag Bolts with flat washers
 - Chain Coupler
 - Chain Fob
 - Balance Kit
- Hardware bag(s):
 - Eleven ¼-20 x 5/8" (blade holder to fan motor hub) screws with lock washers
 - Eleven 3/16-24 x 12mm (blade to blade holder) washer-head screws



NOTE: Blades are not included with this fan. The illustration shown is not to scale or its actual configuration may vary.

Electrical Requirements

Your new Pedestal fan will require a grounded electrical supply line of 120 volts AC, 60 Hz, 15 amp circuit. Use Only On **GFCI Protected Receptacles**. **DO NOT** Use An Extension Cord! The fan base must be securely anchored and filigree set assembled.

⚠ WARNING

Turning off wall switch is not sufficient. To avoid possible electrical shock, be sure electricity is turned off at the main fuse box before wiring. All wiring must be in accordance with National and Local codes and the Pedestal fan must be properly grounded as a precaution against possible electrical shock.

CAUTION

To reduce the risk of personal injury, this product must be **SECURED** as described on page 8.

CAUTION

To reduce the risk of electric shock, connect **ONLY** to an outlet provided with a Ground Fault Circuit Interrupting device.

How to Assemble Your Pedestal Fan

1. Prior to assembly, set aside and save the hardware bag(s) packed in the packing.
2. Assemble the Cover Base Connection onto lower part of the Support Shaft. (Figure 1)

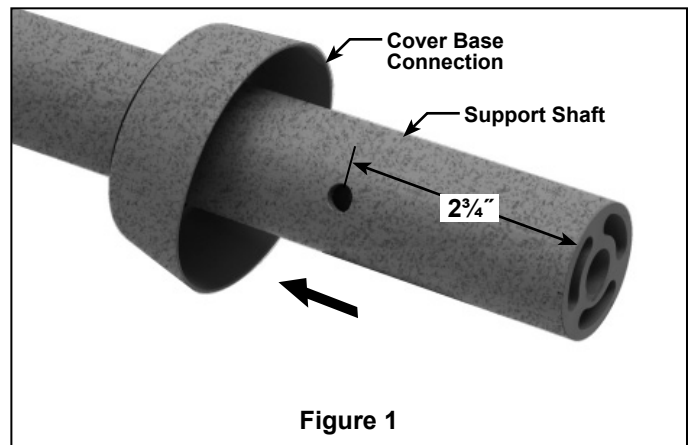


Figure 1

INSTALLATION NOTE

Cord and wires are to be fed through end of shaft that has holes located 2 3/4" from end of shaft. Figure 2

3. Route the cord attached to (Base Assembly) wire through the bottom part of the Support Shaft. (Figure 2) Pull cord through Shaft until wires are completely through the Shaft.

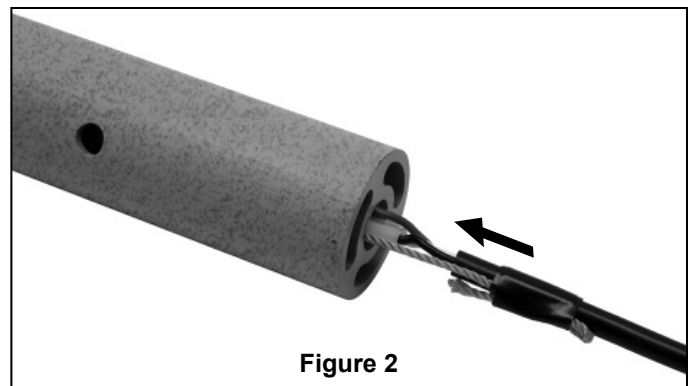


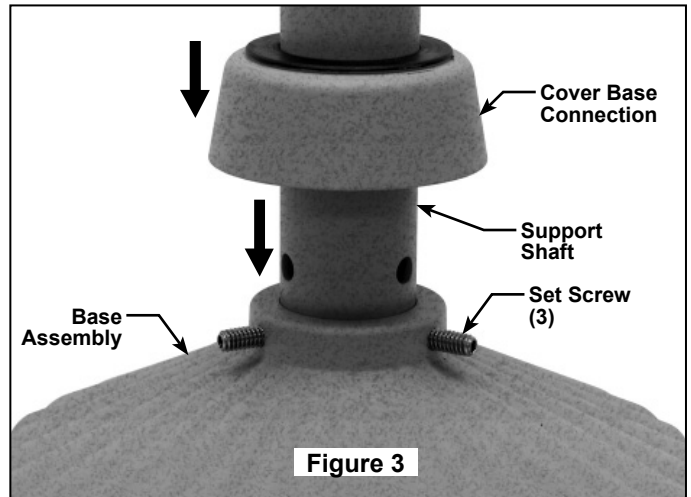
Figure 2

How to Assemble Your Pedestal Fan (cont'd)

4. Assemble Support Shaft with Cover Base Connection and set-screws (3) onto the Base Assembly. (Figure 3)

IMPORTANT NOTE: Be sure to *ALIGN both* the Support Shaft holes (3) with the Base Assembly holes (3) to insure proper mounting with set-screws provided. Do **NOT** over-tighten!

NOTE: Periodically check Base Assembly hardware and re-secure if necessary. (See Maintenance, page 8)

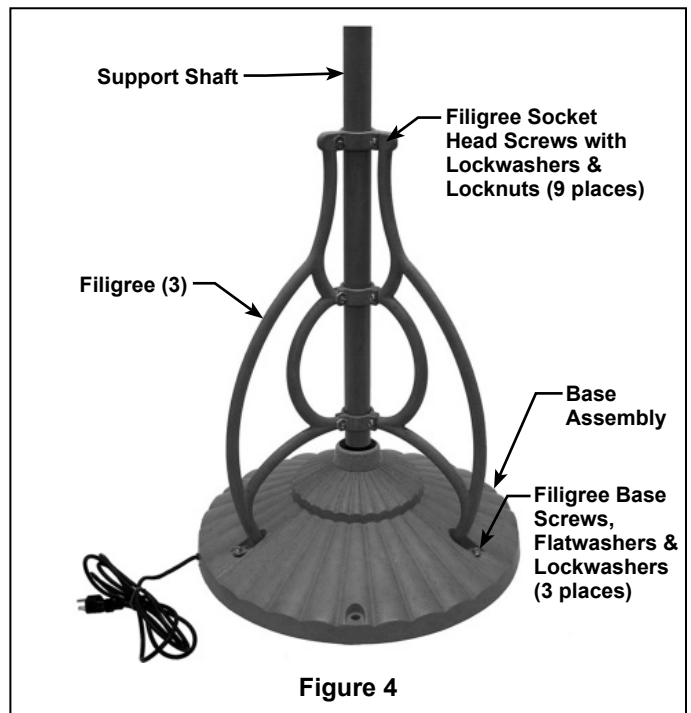


⚠ WARNING

To reduce the risk of personal injury or property damage, fan **CANNOT** be operated without Filigree set installed.

5. Assemble Filigree (set of three) onto the Base and Support Shaft with mounting (socket-head) screws, spring lock washers and nylon-inserted locknuts provided. Use caution when assembling the Filigree onto the Shaft (to prevent scratching of finish). (Figure 4)

NOTE: Periodically check Filigree hardware and re-secure if necessary. (see Maintenance, page 8)



CAUTION

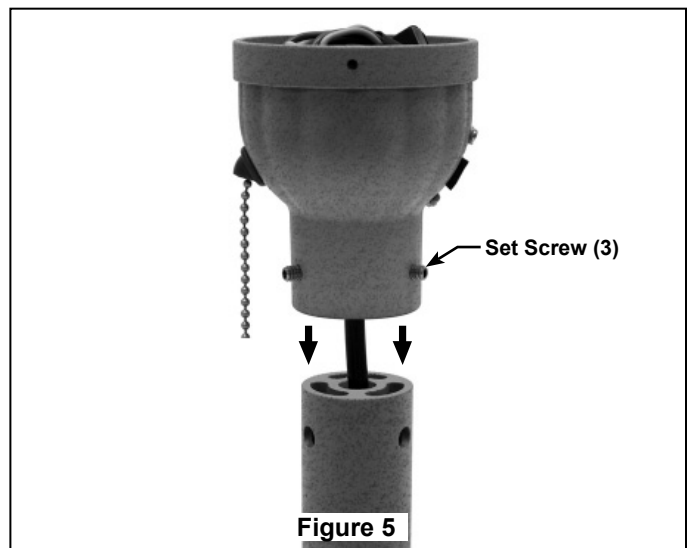
To Reduce The Risk Of Personal Injury, DO **NOT** Climb Pole!

6. Route wire through Control Housing Support Assembly from Support Shaft. (Figure 5)

7. Assemble Control Housing Support Assembly and set-screws (3) onto the top of Support Shaft. (Figure 5)

IMPORTANT NOTE: Be sure to *ALIGN both* the Control Housing Support Assembly holes (3) with the Support Shaft holes (3) to insure proper mounting with set-screws provided. Do **NOT** over-tighten!

NOTE: Periodically check Control Housing Support Assembly hardware and re-secure if necessary. (see Maintenance, page 8)

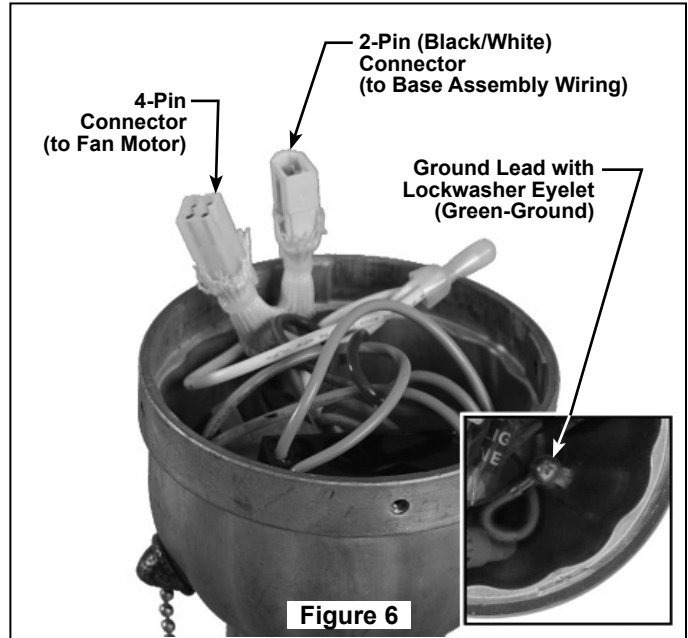


How to Assemble Your Pedestal Fan (cont'd)

8. Securely fasten the two-pin connector (black & white wires) between the Base assembly and Control Housing Support Assembly. Securely fasten ground lead with lockwasher eyelet (green [ground] wire with Phillips screw on the boss of the switch housing before attaching the Fan Motor Unit. (Figure 6)

CAUTION

Do not connect fan blades until the fan is completely installed. Installing fan with blades connected may result in damage to the fan blades and/or blade holders.



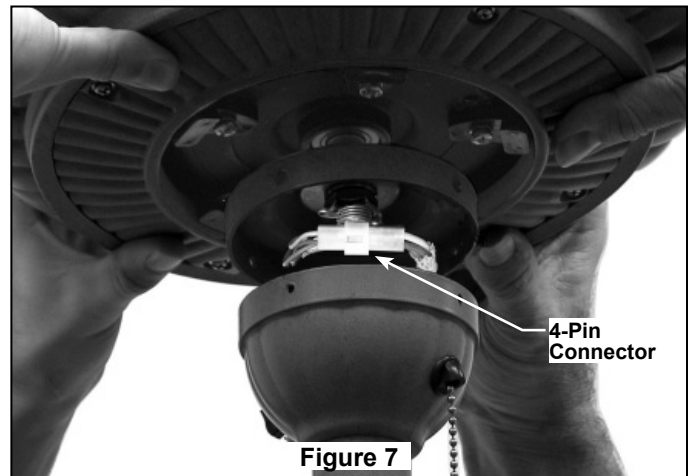
INSTALLATION NOTE

HEAVY - this step will require two or more people to connect and install Fan Motor Assembly.

9. Securely attach the 4-pin connector between the Fan Motor Unit to the Control Housing Support Assembly, and carefully place the Fan Motor Unit on top of the unit. (Figure 7)

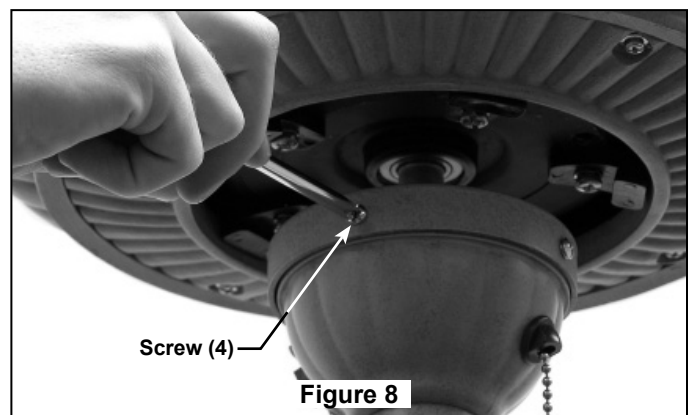
⚠ WARNING

To avoid possible shock, do not pinch wires between the fan motor assembly and control housing support unit.



10. Securely attach the Fan Motor Unit to the Control Housing Support Assembly using the screws supplied with the fan. (Figure 8)

NOTE: Periodically check Fan Motor Unit hardware and re-secure if necessary. (See Maintenance, page 8)



Mounting the Fan Blades

1. Remove and discard the (rubber) motor “stops” by removing the five screws. (Figure 1)

INSTALLATION NOTE

Do not connect fan blades until the fan is completely installed. Installing the fan with blades assembled may result in damage to the fan blades.

2. Lay flat side of blade holder arm on a flat surface with the inside of the blade holder arm facing up. This is the side with the threaded posts and pitched foot.

3. Position the (plastic) woven bamboo blade over the blade holder with the threaded posts showing. Make sure the bottom edge of the blade is fully seated against the blade holder arm.

4. Place blade holder cover on top of the blade, positioning the holes over the threaded posts.

5. With a Phillips head screwdriver provided, thread both screws into the posts but do not fully tighten.. (Figure 2)

6. Prior to final tightening, position the centerline of the blade holder with the center of the end of the blade.

7. Tighten both screws to secure the blade. (Figure 2)

8. Attach Blade Holders to the bottom of the Fan Motor Hub using the $\frac{1}{4}$ -20 x $\frac{5}{8}$ " Screws w/Lock washers as shown in Figure 3.

9. Make sure the screws with lockwashers securing the Blade Holders to the Fan Motor Hub are tight and that the Blade Holders are properly seated. (Figure 3)

NOTE: Periodically check Blade Holder hardware and re-secure if necessary. (See Maintenance, page 8)

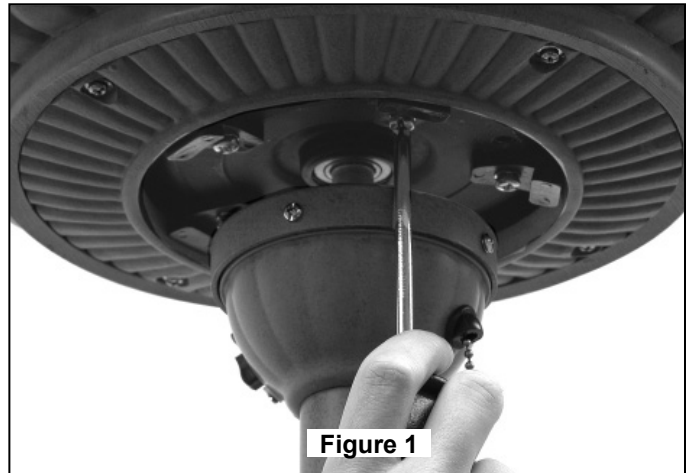


Figure 1

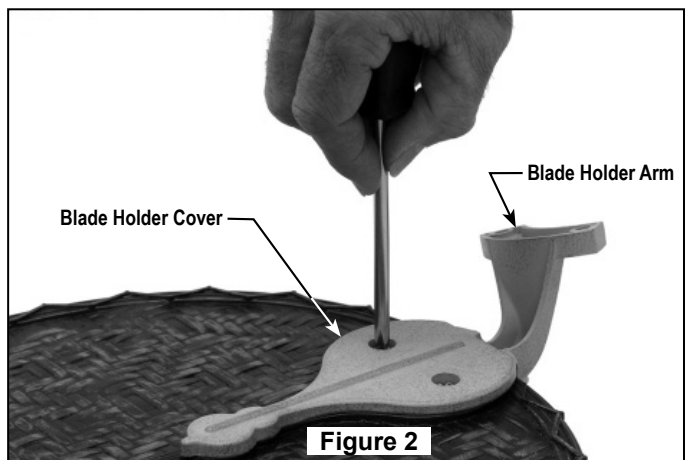


Figure 2

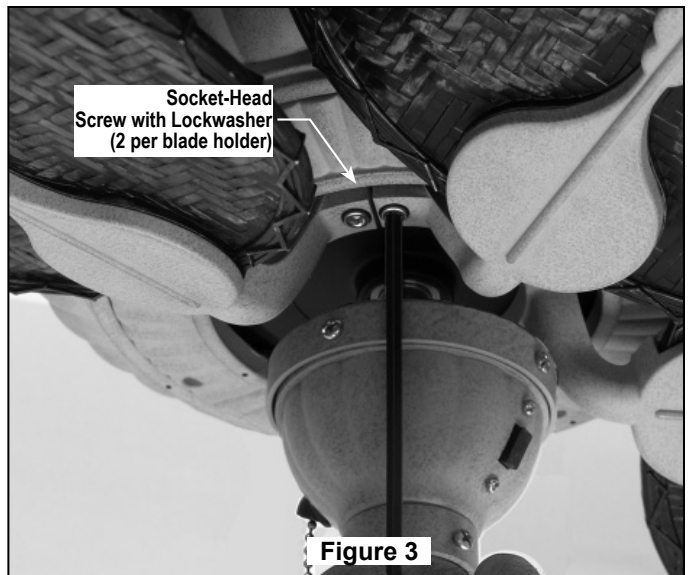


Figure 3

Mounting Fan Base to Floor

NOTE: This Product Intended For Outdoor Use **ONLY**.

CAUTION

To Reduce the Risk of Personal Injury, this Product Must be Secured as Described Below.

CAUTION

RISK OF ELECTRIC SHOCK: Keep Fan at least 16 feet away from pools and spas.

Concrete Surface; Pre-drill $\frac{5}{8}$ " pilot holes (3 places)



Concrete Deck or Porch

NOTE: Minimum concrete thickness to be 5 inches thick.

1. Attaching fan to concrete will require power-hammer drill and concrete drill bit. Pre-drill three pilot holes, $2\frac{3}{4}$ " deep using $\frac{5}{8}$ " drill bit.

2. Attach base to surface using, supplied lag shields (3), lag bolts (3) and flat washers (3).

NOTE: If you do not have adequate knowledge of experience, have fan mounted by licensed electrician or contractor.



Wood Deck

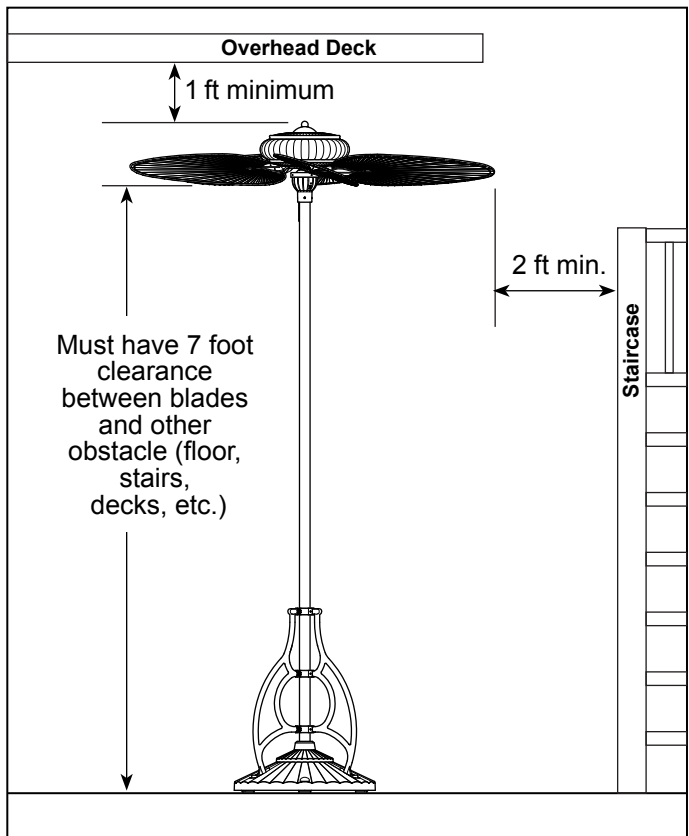
NOTE: Minimum decking thickness to be 2 inches thick. Decking must be treated material intended for outdoor use.

1. Make hole pattern using base assembly and pre-drill pilot holes using $\frac{1}{4}$ " drill bit.

2. Attach base to deck using supplied $\frac{5}{8}$ " lag bolts and flat washers.

CAUTION

To reduce the risk of personal injury, the installation site must allow the fan blades to rotate without obstruction.



Operating Instructions - Pull Chain

CAUTION

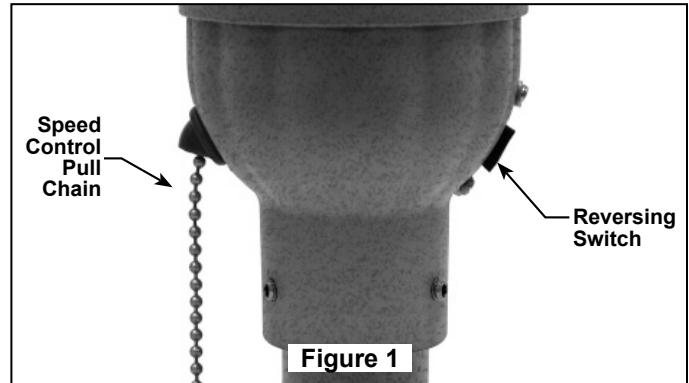
To Reduce The Risk Of Personal Injury, DO **NOT** Climb Pole!

1. Restore electrical power to the fan by plugging in the power cord. Use Only On **GFCI Protected Receptacles**. Do **NOT** use extension cord with this product.
2. Check the operation of the fan by gently pulling on the pull chain switch. (Figure 1)
3. If airflow is desired in the opposite direction, turn the fan off and wait for the blades to stop turning. Then slide the reverse switch to the opposite position and turn fan on again. Your fan model is equipped with a 4-position, 3-speed, pull chain switch. The operating sequence is as follows:

1st Pull = HIGH	3rd Pull = LOW
2nd Pull = MEDIUM	4th Pull = OFF

CAUTION

To reduce the risk of electric shock, connect **ONLY** to an outlet provided with a Ground Fault Circuit Interrupter device.



Maintenance

Periodic cleaning of your new Pedestal fan is the only maintenance that is needed.

When cleaning, use only a soft brush or lint free cloth to avoid scratching the finish.

Abrasive cleaning agents are not required and should be avoided to prevent damage to finish.

RECOMMENDED: Periodically check that the fan motor unit screws, blade arm to motor assembly hub screws, support shaft set-screws and filigree screws are tight and secure.

CAUTION

Do not use solvents when cleaning your Pedestal fan. It could damage the motor or the blades and create the possibility of electrical shock.

Blade Cleaning

Plastic blades may be wiped down with a wet cloth or sponge and household cleaner. Periodic light dusting of the Woven Bamboo blades is recommended.

A feather duster will work best. Avoid using water, cleansers, or harsh rags, which can warp and ruin the non-plastic blades.

Parts List

Model #FP920

Ref. #	Description	Part #
1	Fan Motor/Housing Assembly	AMA920**
2	Control Housing Support Assembly	AP9265**
3	Support Shaft, 81¼"	P9250**
4	Filigree (Set of 3)	AP9219**
5	Cover Base Connection	AP9253**
6	Base Assembly	AP9260**
7	Traditional Blade Arm (Set of 5)	AP43210**
8	Cover Blade Arm (Set of 5)	AP3220**
9	<i>Support Post Hardware Bag Containing:</i>	HDWFP920NSS
	¼–20 x ¾" Set Screw (7)	
	<i>Blade Mounting Hardware Bag Containing:</i>	
	Phillips Washer-Head Screws, ¾–24 x 12 mm (11)	
	Phillips Screwdriver, 4"	
	<i>Blade Holder Mounting Hardware Bag Containing:</i>	
	¼–20 x 5/8" Socket Head Screw with Lockwasher (11)	
	"T" Allen Head Wrench - 5" Long	
	<i>Control Housing Support Hardware Bag Containing:</i>	
	5/32–32 x 3/8" Phillips Serrated Head Screw (5)	
	<i>Filigree Mounting Hardware Bag Containing:</i>	
	¾–24 x 22 mm Socket Head Cap Screw with Spring Washer (10)	
	Nylon-inserted Locknuts (10)	
	<i>Filigree Base Mounting Hardware Bag Containing:</i>	
	¼–20 x 1" Hex Head Screw with Spring Washer (4)	
	Flatwasher (4)	
	<i>Base Assembly Mounting Hardware Bag Containing:</i>	
	¾" Lag Shield (3)	
	¾" Lag Bolts (3)	
	¾" Flatwasher (3)	
<i>Hardware Bag Containing:</i>		
"T" Allen Head Wrench - 5" Long		
Fob and Chain Coupler		
Balance Kit		

**Insert FINISH CODES (Refer to fan model number located on top of Fan Motor Housing)

Before discarding packaging materials, be certain all parts have been removed

How To Order Parts

Contact your retail store for repair parts.
When ordering repair parts, always
give the following information.

- Part Number
- Part Description
- Fan Model Number

The Torrento® FP920 Exploded-View

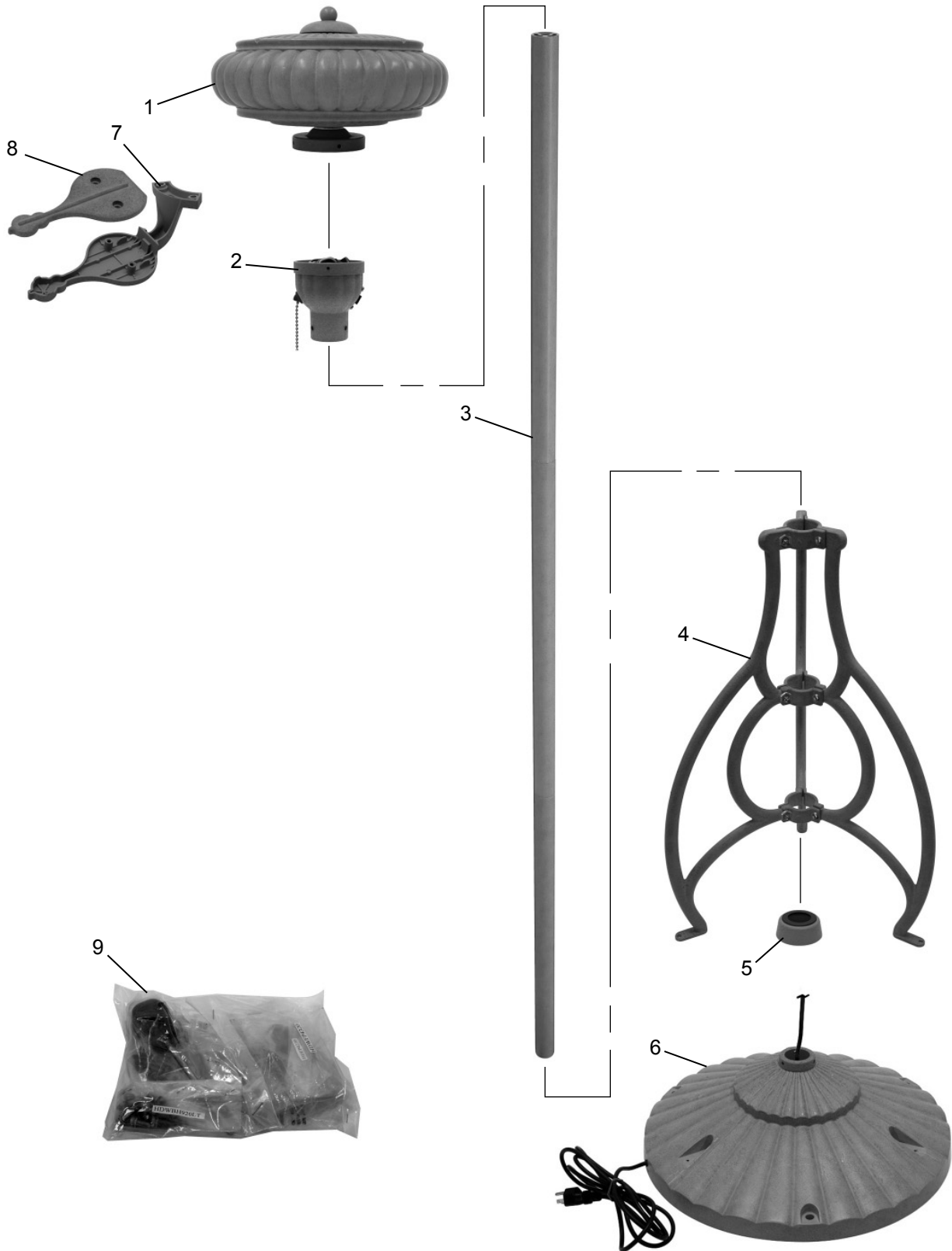


Figure 1

NOTE: The illustration shown is not to scale or its actual configuration may vary. Wires partially removed for clarity. Blades are not included with this fan.

Trouble Shooting

▲ **WARNING**

For your own safety turn off power at fuse box or circuit breaker before trouble shooting your fan.

Trouble	Probable Cause	Suggested Remedy
1. FAN WILL NOT START	<ol style="list-style-type: none"> 1. Fuse or circuit breaker blown. 2. Loose power line connections to the fan, or loose switch wire connections in the switch housing. 3. Reversing switch in neutral position. 	<ol style="list-style-type: none"> 1. Check main and branch circuit fuses or circuit breakers. 2. Check line wire connections to fan and switch wire connections in the switch housings. <p>CAUTION: Make sure main power is turned off !</p> <ol style="list-style-type: none"> 3. Make sure reversing switch position is all the way to one side.
2. FAN SOUNDS NOISY	<ol style="list-style-type: none"> 1. Blades not attached to fan. 2. Loose screws in motor housing. 3. Screws securing fan blade holders to motor hub are loose. 4. Wire connectors inside housing rattling. 5. Screws holding blades to blade holders are loose. 	<ol style="list-style-type: none"> 1. Attach blades to fan before operating. 2. Check to make sure all screws in motor housing are snug (not over-tight). 3. Check to make sure the screws which attach the fan blade holders to the motor hub are tight. 4. Check to make sure wire connectors in switch housing are not rattling against each other or against the interior wall of the switch housing. <p>CAUTION: Make sure main power is turned off !</p> <ol style="list-style-type: none"> 5. Tighten screws securely.
3. FAN WOBBLERS EXCESSIVELY	<ol style="list-style-type: none"> 1. Fan base bolts on the floor is loose. 2. Screws holding the filigree to the support shaft are loose. 3. Screws securing fan blade holders to fan motor hub are loose. 4. Blade holders not seated properly. 	<ol style="list-style-type: none"> 1. Tighten fan base bolts. 2. Tighten screws holding the filigree to the support shaft. 3. Check to be sure screws which attach the fan blade holders to the fan motor hub are tight. 4. Check to be sure the fan blade holders seat firmly and uniformly to the surface of the fan motor hub. If holders are seated incorrectly, loosen the screws and retighten. 5. Balance blades using balance kit provided in hardware bag.



**10983 Bennett Parkway
Zionsville, IN 46077
(888) 567-2055**

FAX (866) 482-5215

Outside U.S. call (317) 733-4113

Visit Our Website @ www.fanimation.com