

TA92 Table Accessory Instructions Sheet

INSTALLATION NOTE

Do not install accessory while fan is operating.



⚠ WARNING

Do not install or use fan if any part is damaged or missing. This product is designed to use only those parts supplied with this product and/or any accessories designated specifically for use with this product by Fanimation. Substitution of parts or accessories not designated for use with this product by Fanimation could result in personal injury or property damage. Contact your retail store for missing or damaged parts.

NOTE: The illustration shown is not to scale or its actual configuration may vary.

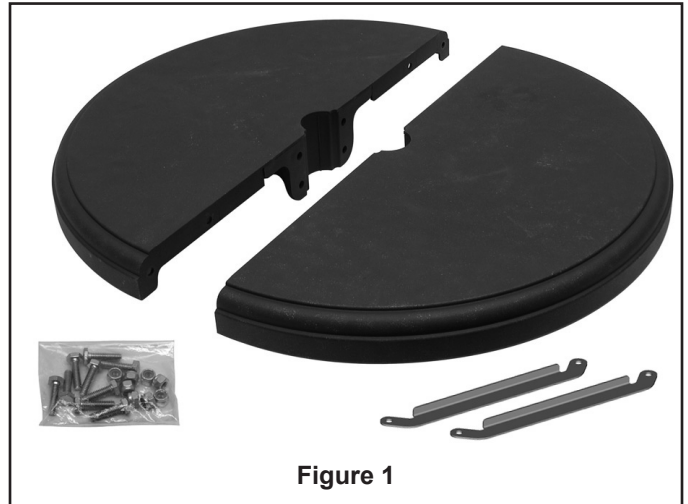


Figure 1

1. Check to see that you have received the following parts; Table halves, Support Arms (2), $\frac{1}{4}$ -20x1" hex-head bolts (8) and $\frac{1}{4}$ -20 locknuts (8).

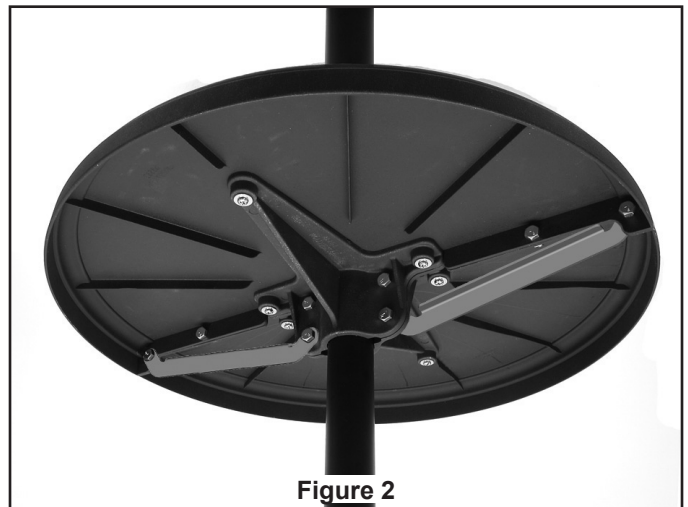


Figure 2

2. Fasten the table halves and support arms together with the bolts and locknuts provided (8 places), do not overtighten.

NOTE: Be sure to orient support arms as shown for better support and stability.

