

COSYSTAND



Stainless Steel  
Item-No. 524171

**COSYSTAND PATIO HEATER**

Portable Infra-Red open-air heater  
for non residential space heating  
Assembly and usage instructions



**WARNING! FOR YOUR SAFETY**  
For Outdoor Use Only  
(Outside any enclosure)  
If stored indoors, detach and  
leave cylinder outdoors!

Improper installation, adjustment,  
alteration, service or maintenance can  
cause injury or property damage. Read  
the installation, operation and mainte-  
nance instructions thoroughly before  
installing or servicing this equipment.

Save these instructions for future  
reference. Please ensure the owner of  
the heater retains the manual for future  
reference.



CSA International Requirement 5.90  
Canadian National Standard  
CAN 1-2.23-M82



**Expand your life**



**WARNING  
FOR YOUR SAFETY**

If you smell gas:

1. Shut off the gas to the appliance.
2. Extinguish any open flame.
3. If odour continues, immediately call your gas supplier.



**WARNING**

**California Proposition 65:**  
Chemicals known to the state of California to cause cancer, birth defects, or other reproductive harm are created by the combustion of propane.



**WARNING  
FOR YOUR SAFETY**

1. Gas leaks may cause a fire or explosion which can cause serious bodily injury, death or damage to property.
2. You must follow all leak checking procedures as outlined in step 8 before operating this unit.
3. Never use an open flame to check for leaks.



**WARNING**

- Purchaser assumes all risk in the assembly and operation of this unit. Failure to follow this manual's **WARNINGS** and instructions can result in severe personal injury, death or property damage.
- Do not use in an explosive atmosphere. Keep heater away from areas where flammable liquids, gasoline, vapours, or explosives are stored or used.

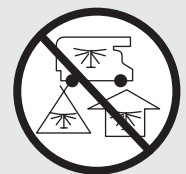


**WARNING  
FOR YOUR SAFETY**

Do not store or use gasoline or other flammable vapours or liquids in the vicinity of this or any other appliance.



**DANGER**



**WARNING**

**CARBON MONOXIDE HAZARD**

This appliance can produce carbon monoxide which has no odour. Using it in an enclosed space can kill you. Never use this appliance in an enclosed space such as a camper, motor home, tent, car or home.



**WARNING**

Beware of sharp edges, ensure gloves are worn on assembly

<b>TABLE OF CONTENTS</b>		<b>Page</b>
1	SAFETY FIRST	4 - 5
2	ASSEMBLY INSTRUCTIONS in 11 steps	6 - 13
3	OPERATION	14
3.1	BEFORE TURNING GAS SUPPLY "ON"	14
3.2	BEFORE LIGHTING	15
3.3	LIGHTING	16
3.4	WHEN HEATER IS "ON"	16
3.5	RE-LIGHTING	16
3.6	SHUTDOWN	16
4	OPERATION CHECKLIST	17
5	CLEANING & MAINTENANCE	18
6	STORAGE	18
7	SPECIFICATIONS	19
8	WARRANTY	19
9	SERVICE ADDRESS	19

The use and installation of this product must conform to local codes. In absence of local codes, use the National Fuel and Gas Code, ANSI Z223, 1/NFPA 54, Storage and Handling of Liquid Petroleum Gases, ANSI/NFPA 58 or CSA B149.1, Natural Gas and Propane Installation Code.

The installation must confirm with local building codes or, in the absence of local codes, with the current CAN 1-B149 installation codes.



**THE CONVERSION SHALL BE CARRIED OUT BY A MANUFACTURE`S AUTHORISED REPRESENTATIVE, IN ACCORDANCE WITH THE REQUIREMENTS OF THE MANUFACTURER, PROVINCAL OR TERRITORIAL AUTHORITIES HAVING JURISDICTION AND IN ACCORDANCE WITH THE REQUIREMENTS OF THE CAN/CGA-B149.1 OR CAN/CGA-B149.2 INSTALLATION CODES**



## 1. SAFETY FIRST!

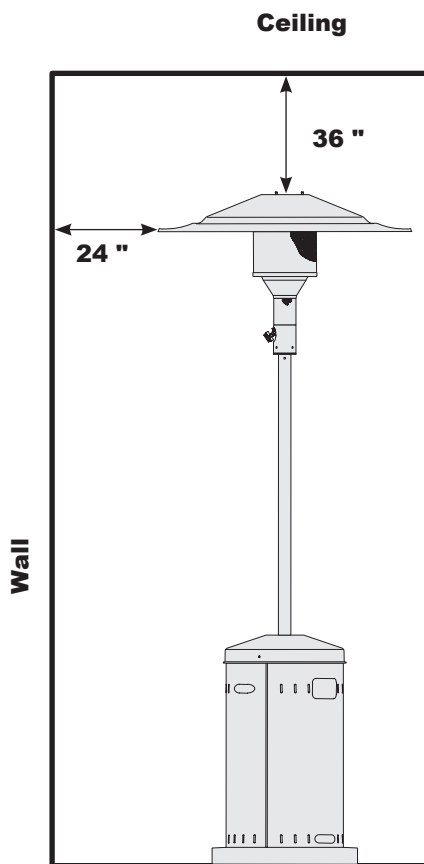
Read and become familiar with this entire manual especially the following precautions. If you are unsure of anything in these instructions, STOP and contact for assistance.

### Caution:

This application is for outdoor use only (outside any enclosure).

Always make sure there is fresh air ventilation.

- Always maintain at least 36" clearance (top) and 24" clearance (side) from combustible materials.
- Always place heater on a hard and level surface and mounted.
- Do not use if the wind velocity is greater than 10 miles per hour.
- Unit will operate at reduced efficiency below 40°F (5°C).
- Keep sprinklers and other water sources away from burner and controls.
  
- **Always use extreme caution when near heater. Alert both children and adults to the hazards of high temperatures, especially to avoid burns or clothing catching fire.**
  
- **Young children and pets should be carefully supervised when they are in the area of the heater.**
  
- **Do not hang clothing or other flammable materials either on or near the heater.**
  
- **Any guard or other protective device removed for servicing the heater must be replaced prior to operating the heater.**
  
- Certain materials or items, when stored under the heater, will be subjected to radiant heat and could be seriously damaged.
- Do not alter heater in any manner.
- The pressure regulator and hose assembly supplied with the appliance must be used and replacements must be those specified by the manufacturer. If regulator becomes damaged, use only a factory-supplied replacement.
- Inspect heater before each use. If a damaged part is detected, do not operate until an original equipment replacement part has been properly installed. Use of unauthorized parts will void warranty and create an unsafe condition.
- Prior to operating the heater, replace any guards or protective devices removed for servicing.
- During operation, do not touch the burner assembly. The surface of the heater's emitter can reach temperatures approaching 1600°F
- After shutdown, do not touch the burner assembly until the heater has cooled (approximately 45 minutes after use).



### **Notice:**

This product should not be used with any fuel other than liquid propane. Use of other fuels will detract from the heaters performance and will void your warranty.

**Caution:**

**Liquid propane (LP) gas is flammable and hazardous if handled improperly. Become aware of the characteristics before using any LP product.**

- LP Characteristics — Flammable, explosive under pressure, heavier than air - settles in pools in low areas.
- In its natural state, propane has no odor. For your safety, an odorant is added and has a bad smell.
- Contact with LP can cause freeze burns to skin.
- This heater is shipped from the factory for LP gas use only.
- Use only Department of Transportation (DOT) approved "20 lb." LP gas tanks (Same as those commonly used on gas grills) with Acme / Type 1 / QCC safety valves. These valves can be quickly identified because they have external and internal threads.
- Never use an LP tank with a damaged body, valve, collar, or foot ring.
- Dented or rusted LP tanks may be hazardous and should be checked by your LP gas supplier.
- The tank supply system must be arranged for vapour withdrawal.
- The tank used must include a collar to protect the tank valve.
- When heater is not in use, turn LP tank OFF.
- Always perform a leak test on gas connections whenever a tank is connected. Never use a flame to test for leaks. Do not smoke while performing a leak test.



**Caution:**

**It is essential to keep the heater's valve compartment, burners, and circulating air passages clean.**

- Spiders and insects can create a dangerous condition that may damage the heater or make it unsafe. Keep the burner area clean of all spiders, webs, or insects.
- Inspect the heater before each use.
- **Have heater inspected annually and repairs should be made by a qualified service person.**
- Check the heater immediately if any of the following conditions exist:
  - The smell of gas in conjunction with extreme yellow tipping of burner flames.
  - Heater does not reach the proper temperature.

**Note:**

At temperatures less than 40°F, heat output will be reduced.

- Heater's glow is excessively uneven
- Burner makes popping noises during use.

**Note:**

A slight pop is normal when burner is extinguished.

- Carbon deposits may create a fire hazard. Keep dome and emitter clean at all times.
- Do not clean heater with combustible or corrosive cleaners. Use warm, soapy water.
- Do not paint the burner, the burner access panel or dome.

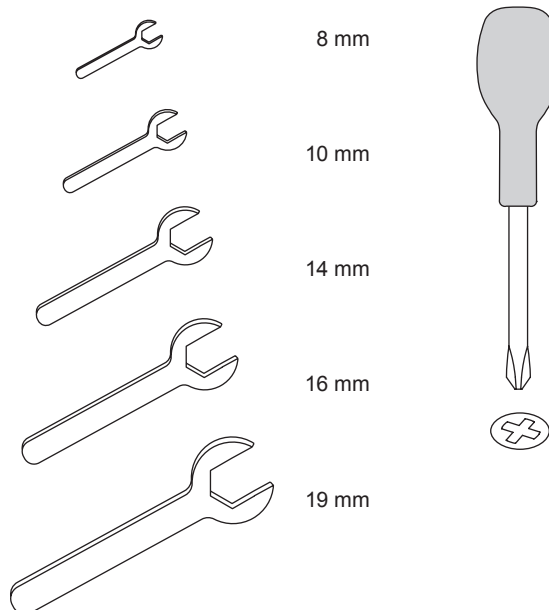
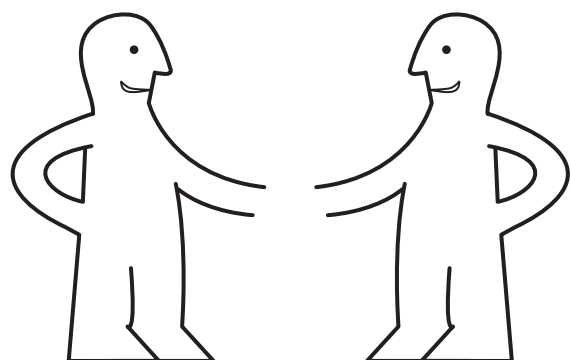
**FOR YOUR SAFETY  
BE AWARE OF SPIDERS**

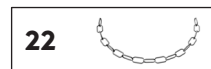
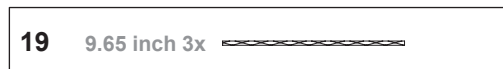
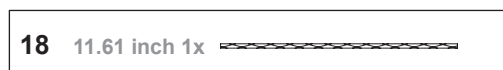
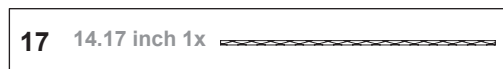
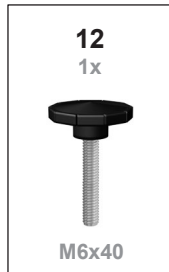
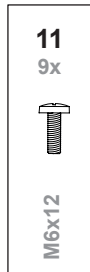
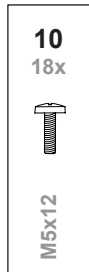
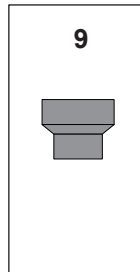
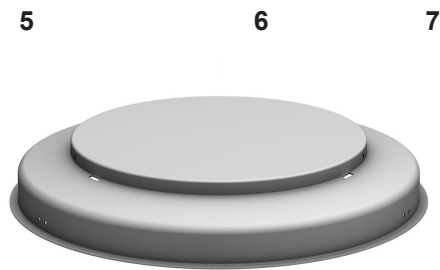
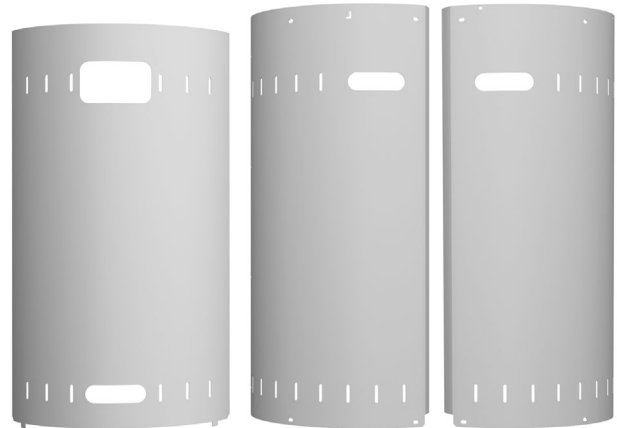
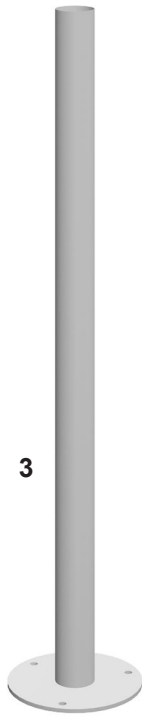
Spiders or small insects can get into the burner tube or other openings of your heater and spin webs or build nests.

These obstructions can lead to gas flow problems. It is important to make frequent inspections of these areas and clean them when necessary.

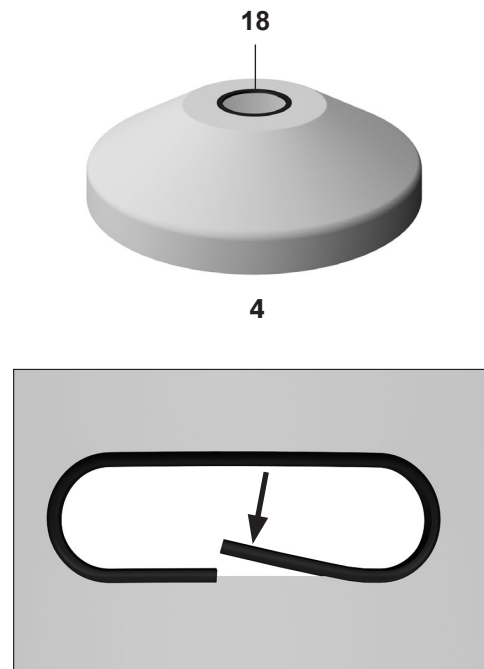
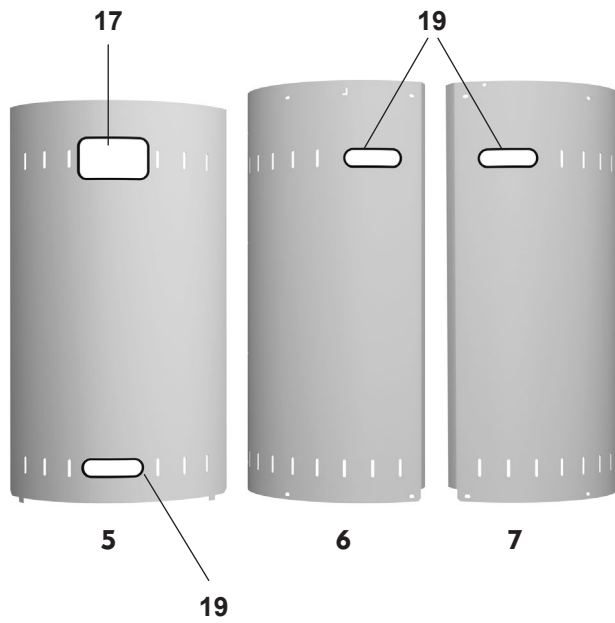
Before operating your heater for the first time, be sure to check for obstructions that may have occurred during shipment.

## 2. ASSEMBLY INSTRUCTIONS

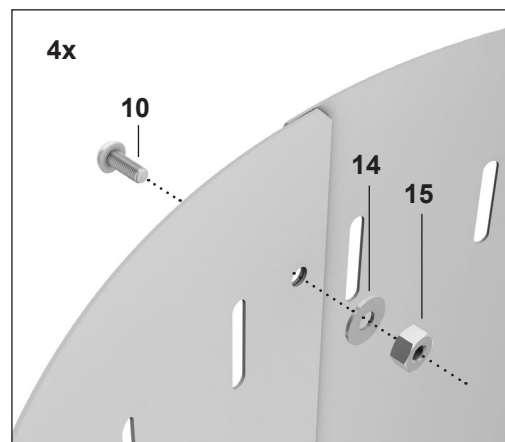
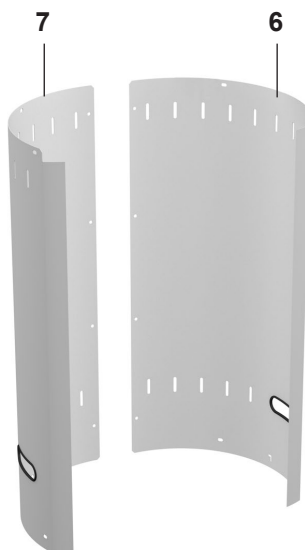




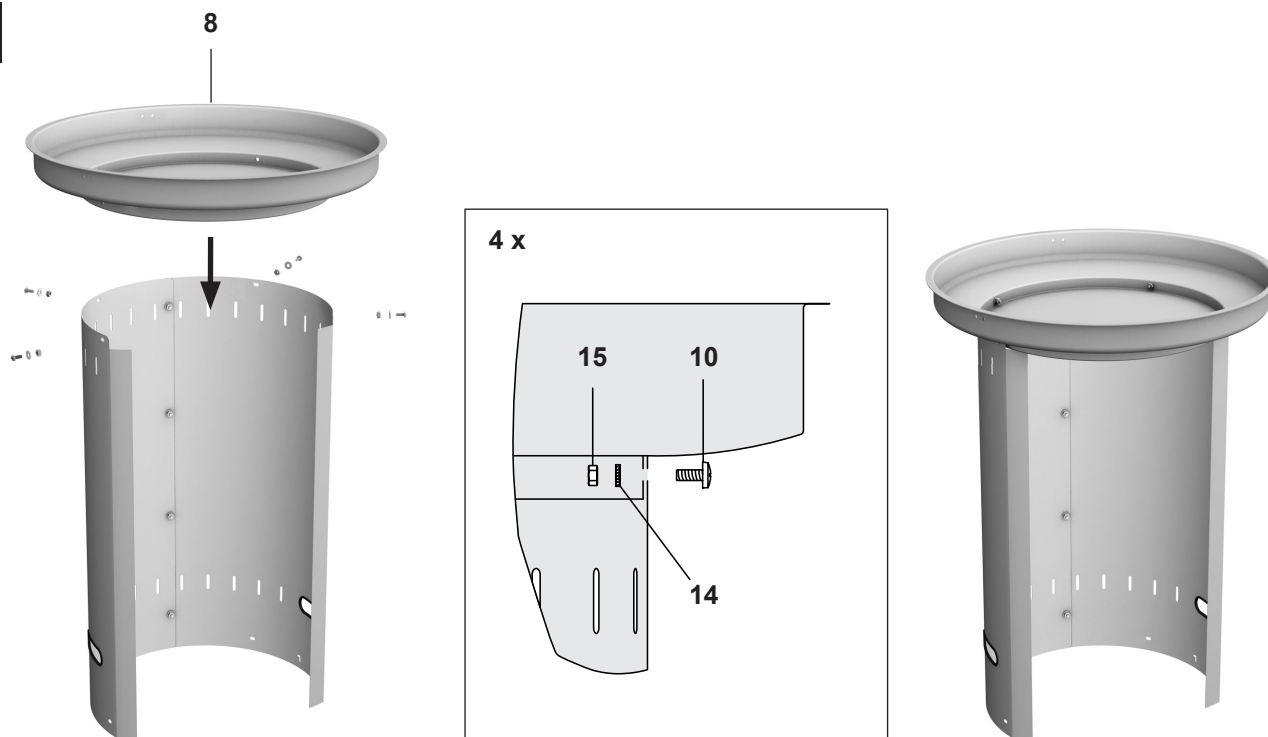
**1** Remove the protective foil from all parts first!



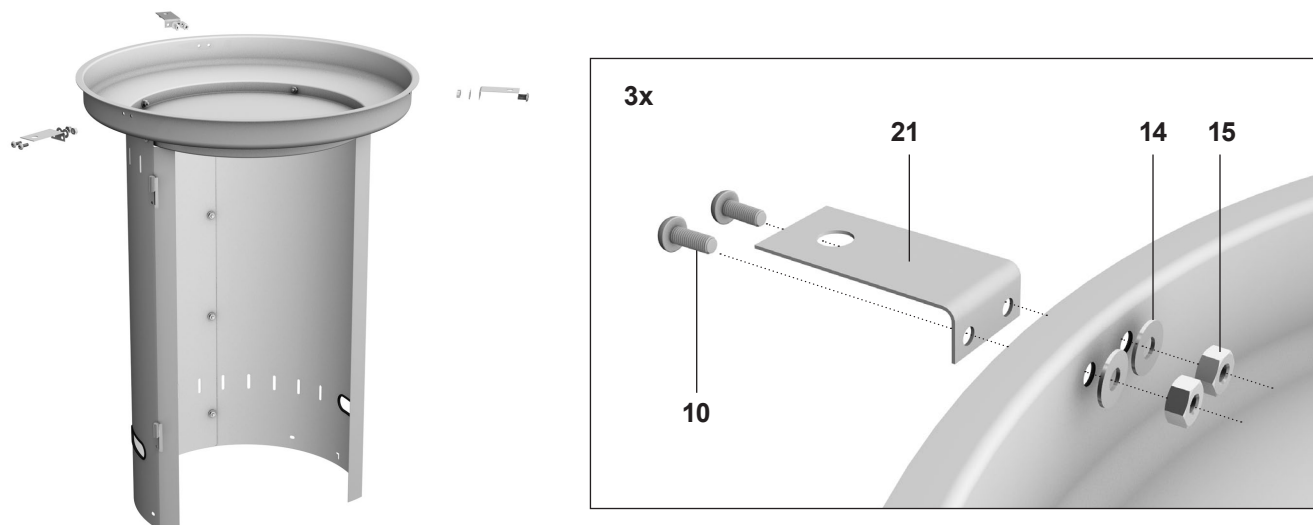
**2**



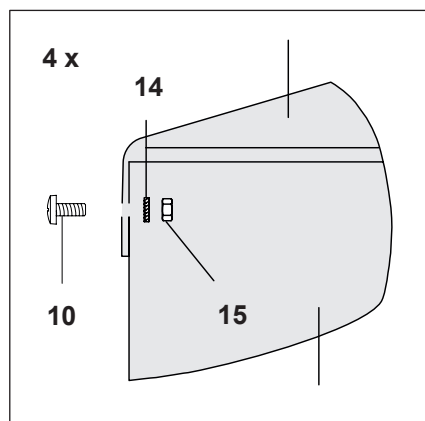
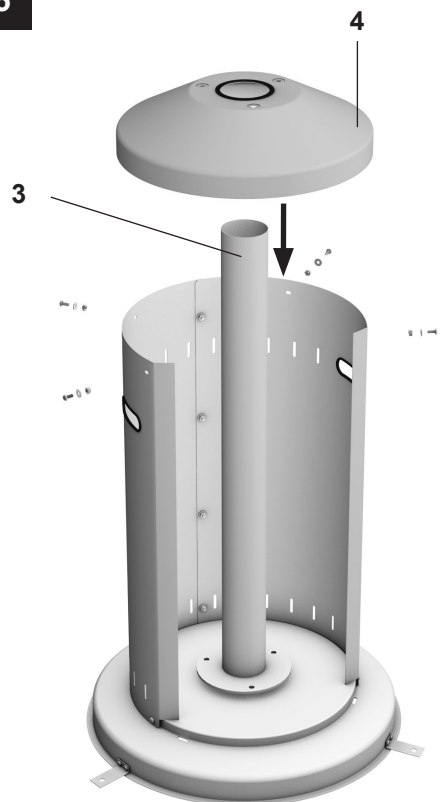
**3**



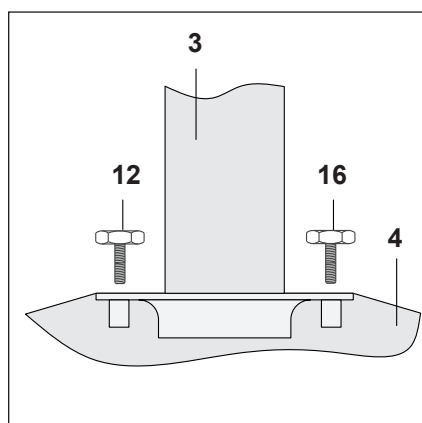
**4**



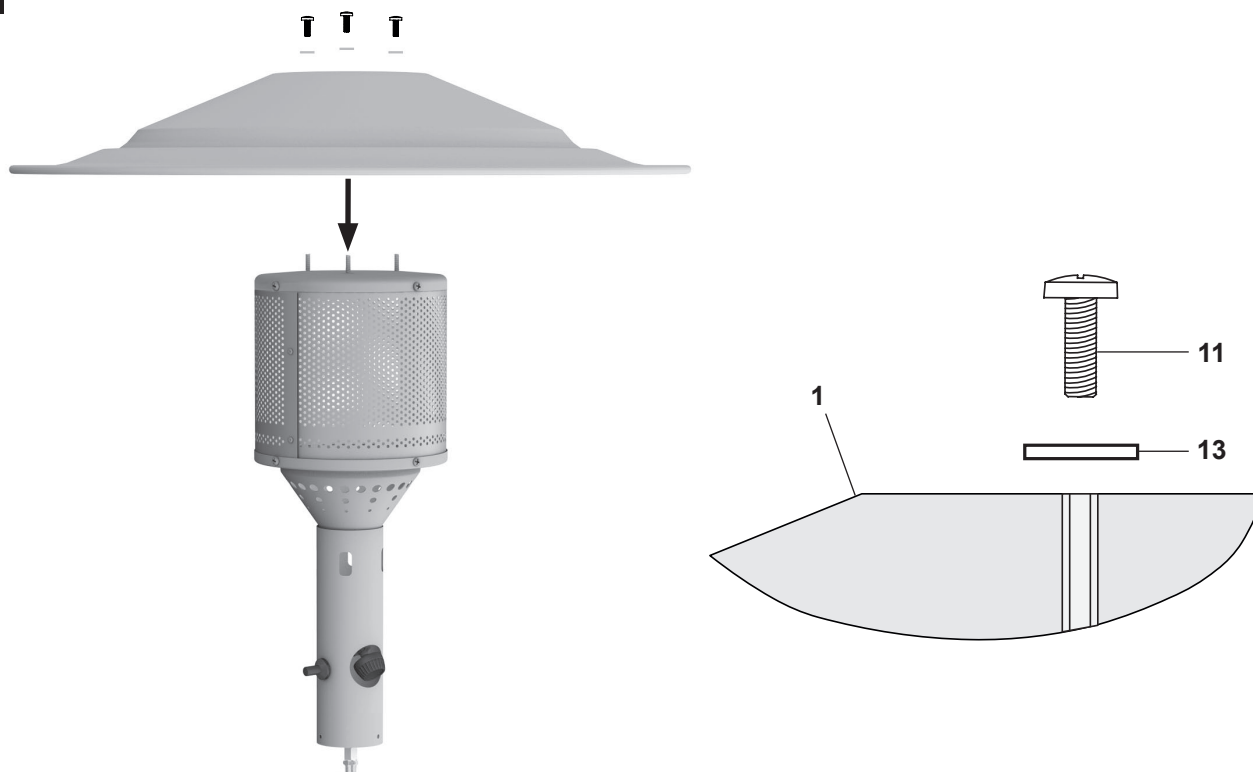
**5**



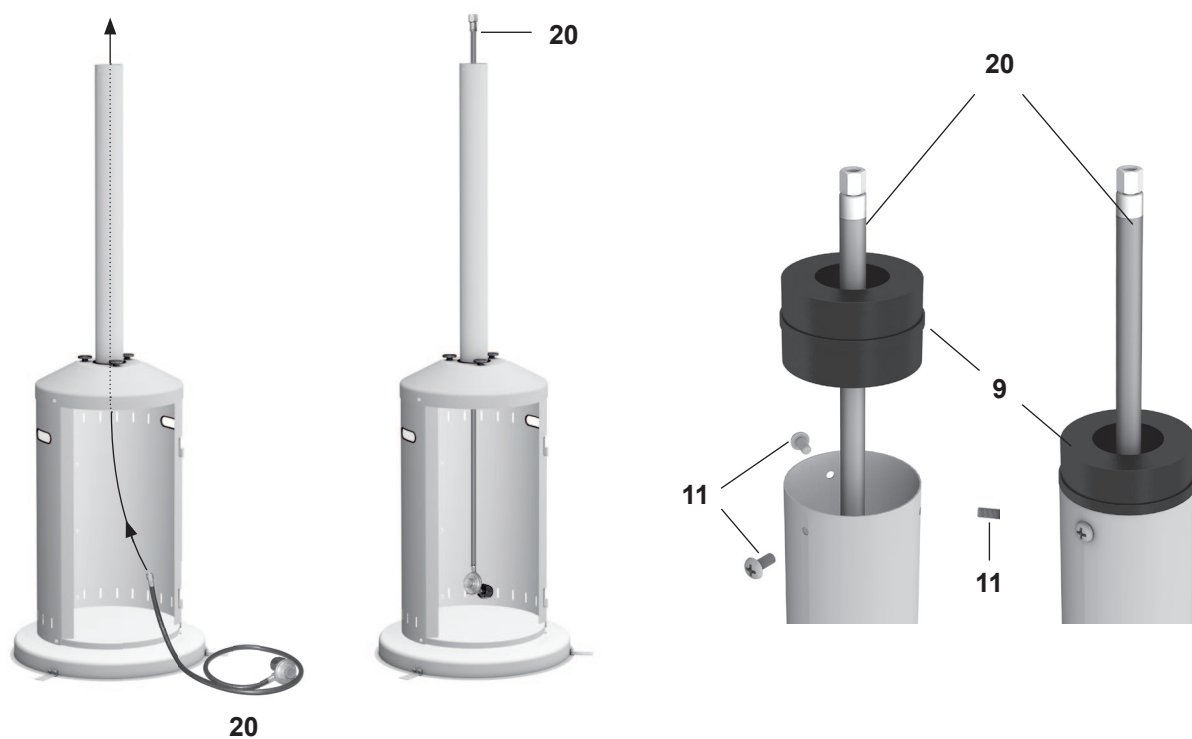
**6**



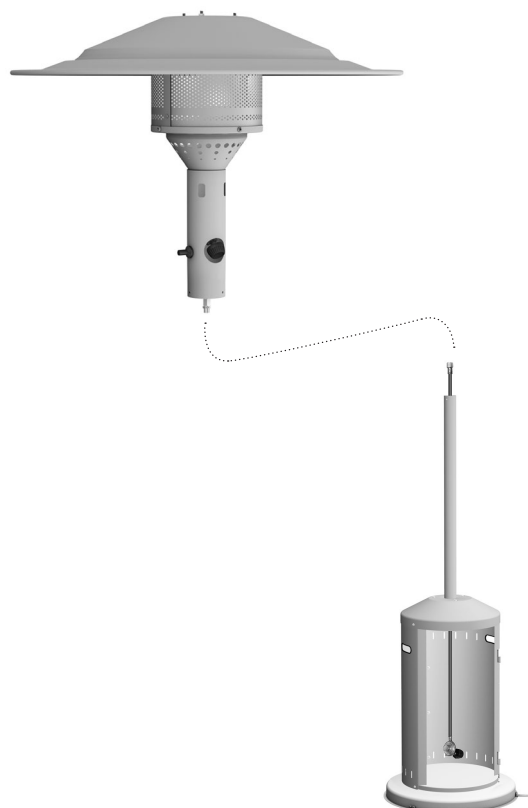
7



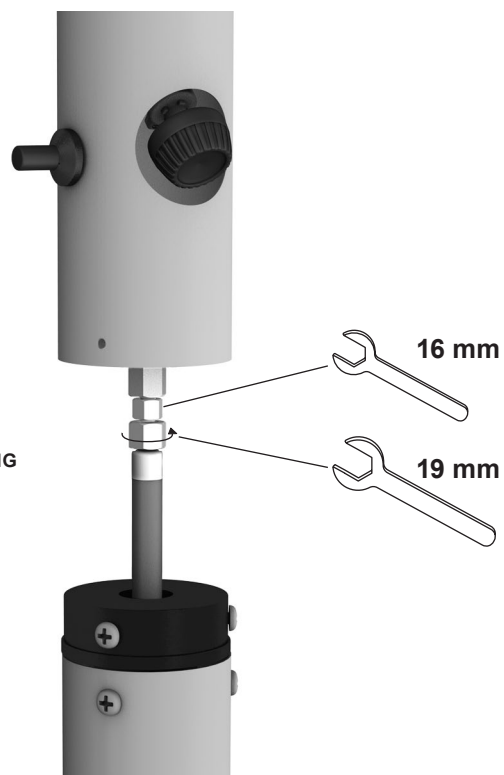
8



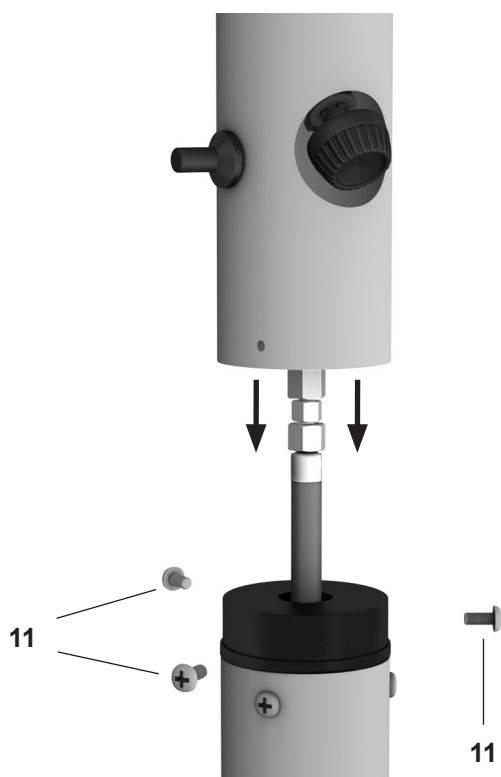
9



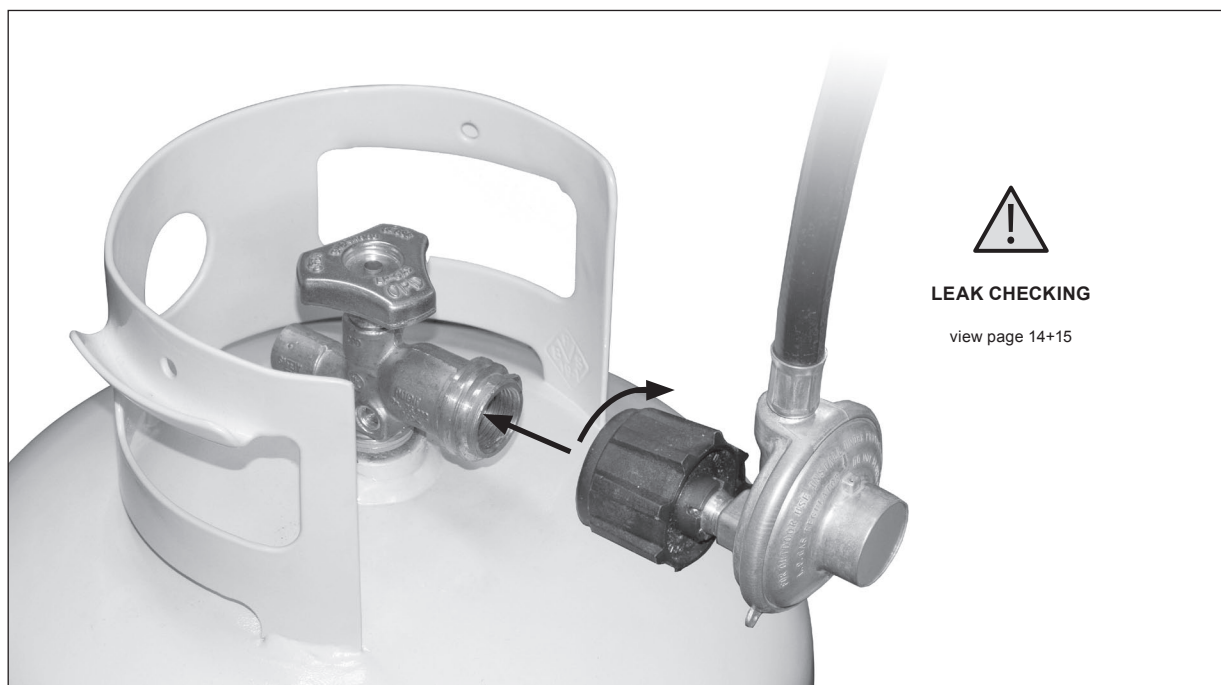
**LEAK CHECKING**  
view page 18



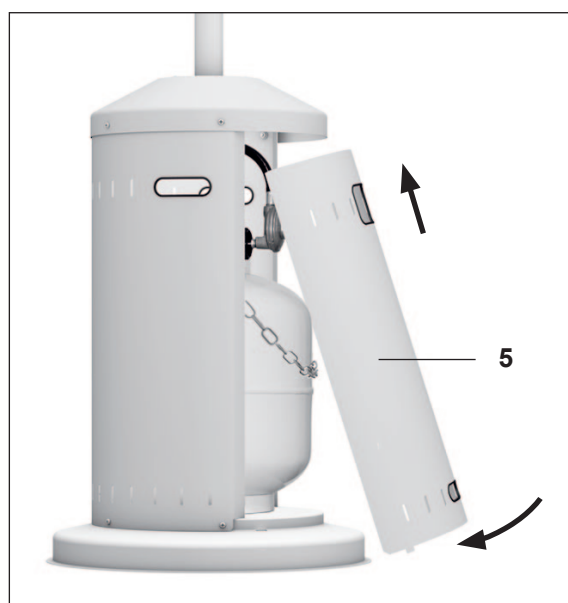
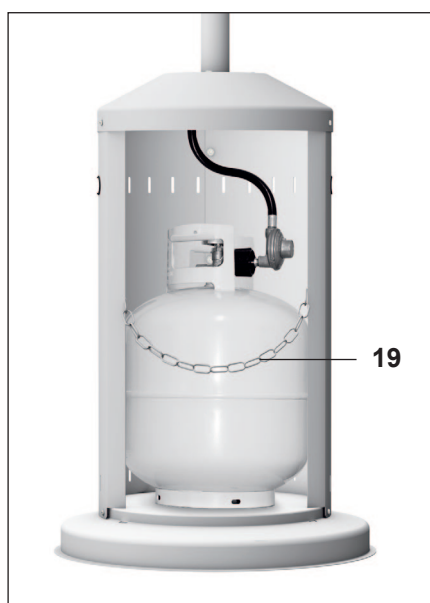
10



11



12



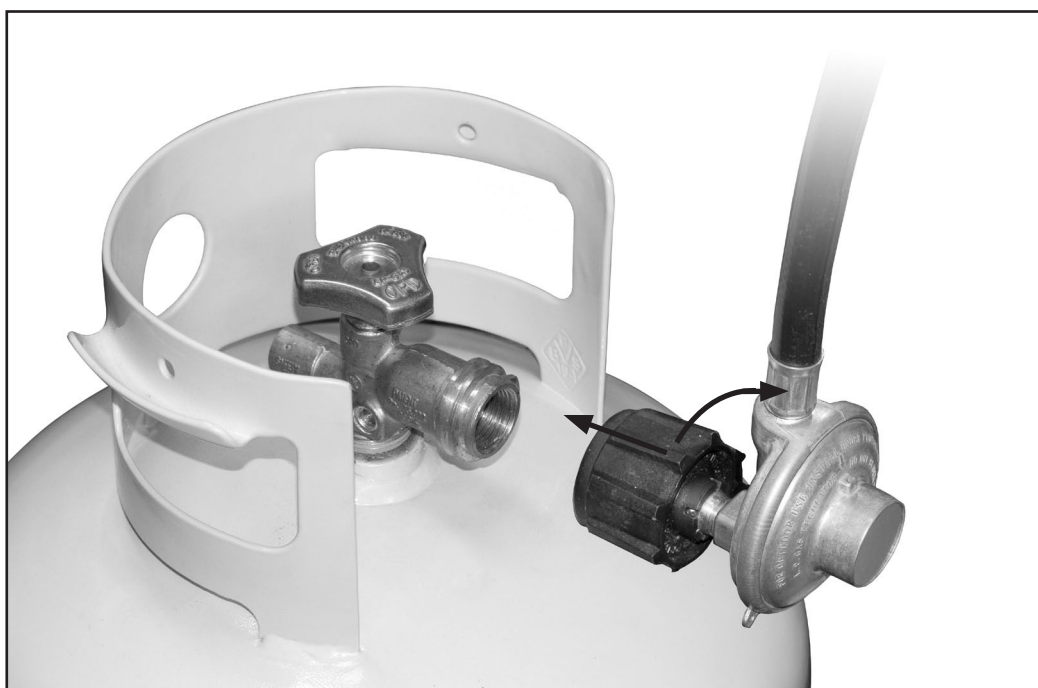
### 3. OPERATION

**Caution:** Do Not attempt to operate the heater until you have read and understood the warnings section in this manual.

#### 3.1 TURNING THE GAS SUPPLY ON

##### CONNECT THE GAS HOSE AND REGULATOR ASSEMBLY TO THE TANK

**Note:** Use only a Department of Transportation (DOT) approved 20 pound cylinder with an ACME/ Type 1 connection with QCC (Quick Connect Coupler)safety valves. When the Cylinder is empty it should weighth 18 pounds.



##### CHECK FOR LEAKS:

Make a solution of 2-3 oz. of leak checking solution by mixing one part liquid dishwashing soap and three parts water. Follow the procedure below:

##### LEAK CHECKING FUEL TUBE CONNECTION

Step 1: Turn cylinder valve on by turning anti-clockwise.

Step 2: Check fuel tube connection for leaks.

To check for leaks spoon several drops of solution onto the connections as illustrated.

Step 3: Inspect the solution for bubbles. If no bubbles appear then the connection is secure.

**If bubbles appear, then there is a leak: Turn OFF the cylinder valve.**

Undo the connection and inspect the surface of the cone to make sure they are clean.

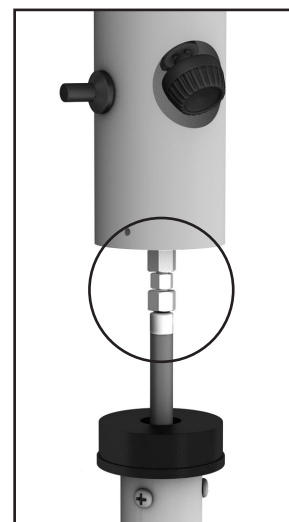
Reconnect by using two wrenches, one on either side of the connection.

Repeat the leak checking procedure described above.

**If you still see bubbles after several attempts**

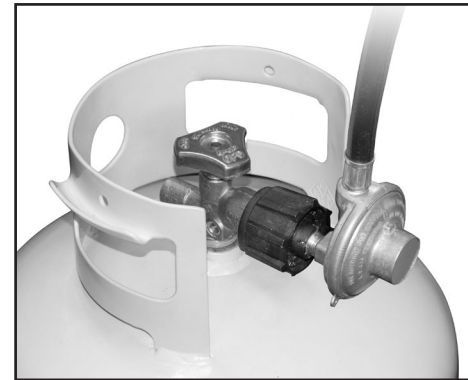
**DO NOT USE THE HEATER.**

**Contact service for assistance.**



### LEAK CHECKING GAS LINE AND CYLINDER CONNECTIONS

- Step 1: Turn cylinder valve on by turning anti-clockwise.
- Step 2: Check connections and valve for leaks. To check for leaks spoon several drops of solution onto the connections as illustrated.
- Step 3: Inspect the solution for bubbles, if no bubbles appear then the connection is secure.



**If bubbles appear, then there is a leak:**

**Turn OFF the cylinder valve.**

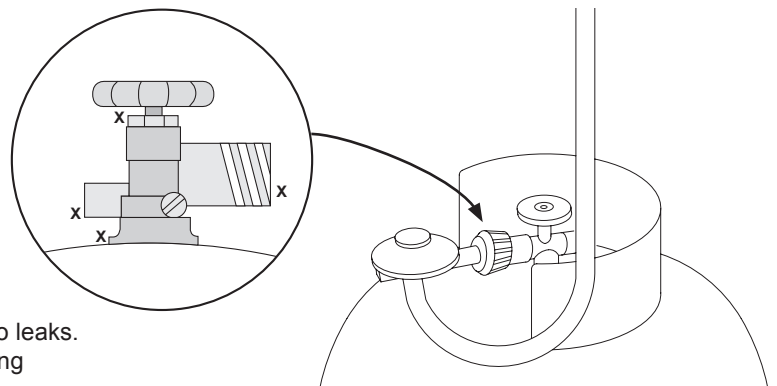
Release the regulator connection to the cylinder.  
Reattach the regulator, making sure that the connection is tight.  
Repeat the leak checking procedure described above.

**If you still see bubbles after several attempts**

**DO NOT USE THE HEATER.**

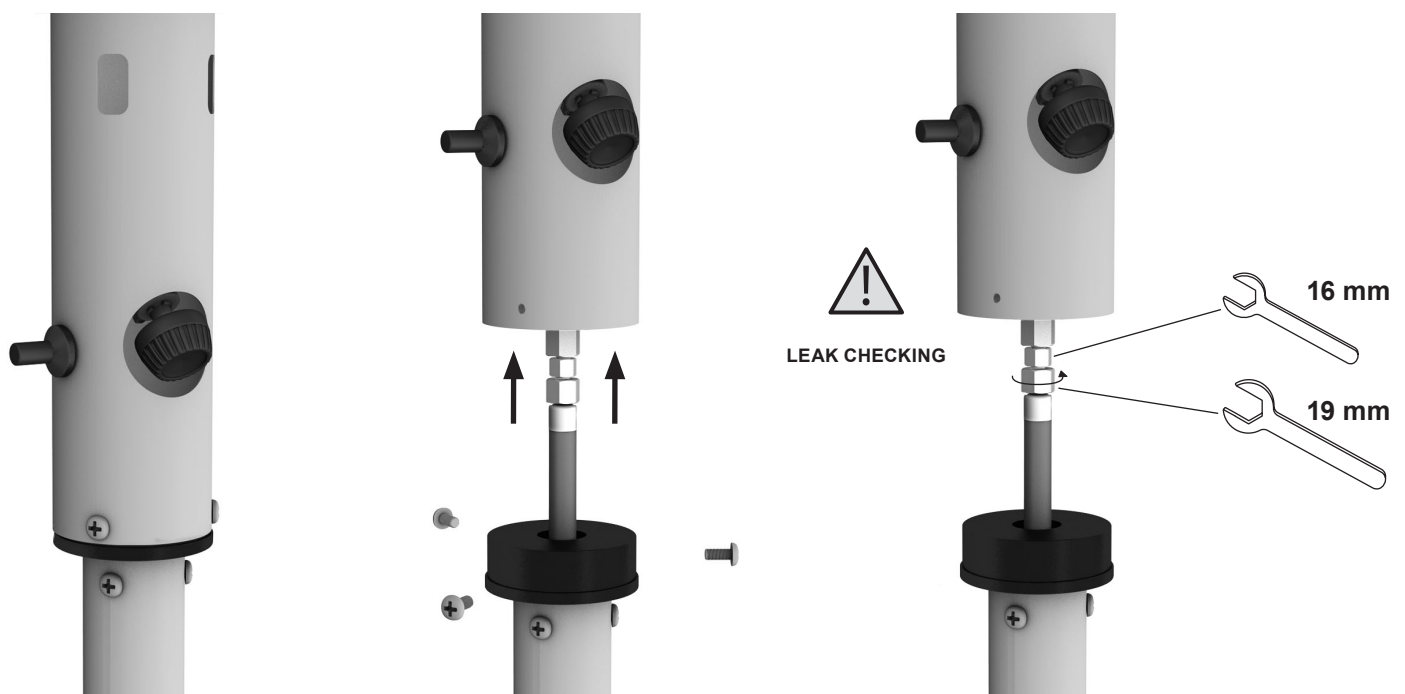
**Contact service for assistance.**

- Your heater was designed and approved for Outdoor use only. Do NOT use it inside an enclosure.
- Make sure that all combustibles are maintained and that there are no flammable liquids or vapors in the vicinity of the heater.
- Make sure there is no obstruction to air ventilation.
- Be sure that all gas connections are tight and there are no leaks.
- Any components removed during the assembly or servicing of the heater must be reinstalled.



### 3.2 BEFORE LIGHTING

- The heater components should be thoroughly inspected before each use and at least every two years by a qualified service person.
- Inspect the visible portion of the hose before each use of the appliance. Portions that are located within the heater post, inspect the entire hose assembly at least annually.
- The hose assembly must be replaced prior to the appliance being put into operation if there is evidence of excessive abrasion or wear, or if the hose is damaged. The replacement hose assembly shall be that specified by the manufacturer.



### 3.3 LIGHTING

1. Push control knob IN and turn to OFF.
2. Turn the gas tank valve ON.
3. Depress the burner control knob and turn it (anticlockwise) to the igniting position. ✱
4. Press the piezo-ignition concurrently with your other hand and hold the pressed knob for about 10 seconds after ignition in order to activate the ignition safety switch. Should the gas fail to ignite after pressing the piezo-ignition 3 or 4 times, leave the appliance for about 5 minutes that any gas to clear and then repeat the process.

**Note:**

**It is possible to ignite the burner using other ignition devices (gas lighters, matches) through the 0.73 inch aperture in the bottom of the burner.**

**Caution:**

Avoid inhaling fumes emitted from the heater's first use. Smoke and odour from the burning of oils used in manufacturing will appear. Both smoke and odor will dissipate after approximately 30 minutes. The heater should NOT produce thick black smoke.

**Note:**

The burner may be noisy when initially turned on. To eliminate excessive noise from the burner, turn the Control Knob to the small flame position. Then, turn the knob to the level of heat desired.

### 3.4 WHEN HEATER IS "ON"

Emitter screen will become bright red due to intense heat. The colour is more visible at night. Burner will display tongues of blue and yellow flame. These flames should not be yellow or produce thick black smoke, indicating an obstruction of airflow through the burners. The flame should be blue with straight yellow tops.

### 3.5 RE-LIGHTING

Turn Control Knob to OFF

Wait at least 5 minutes, to let gas dissipate, before attempting to relight.

Repeat the "Lighting" steps on prior page.

### 3.6 SHUTDOWN

1. Turn the burner control knob clockwise to the igniting position. ✱
2. Depress the control knob and turn it clockwise to OFF.
3. Turn tank valve clockwise to OFF. Disconnect the regulator when heater is not in use.



**WARNING**

**FOR YOUR SAFETY**

**Be careful when attempting to manually ignite this heater. Holding in the control knob for more than 5 seconds before igniting the gas will cause a ball of flame upon ignition.**



**WARNING**

**FOR YOUR SAFETY**

**Heater will be hot after use**

**Handle with extreme care**

## 4. OPERATION CHECKLIST

For a safe and pleasurable heating experience, perform this check before each use.

### BEFORE OPERATING

- I am familiar with entire owner's manual and understand all precautions noted in "Safety First".
- All components are properly assembled, intact and operable.
- No alterations have been made.
- All gas connections are secure and do not leak.
- Wind velocity is below 10 mph.
- Outdoor temperature is greater than 40 degrees F.
- Heater is outdoors (outside any enclosure).
- There is adequate fresh air ventilation.
- Heater is away from gasoline or other flammable liquids or vapors.
- Heater is away from windows, air intake openings, sprinklers and other water sources.
- Heater is at least 36" clearance (top) and 24" clearance (side) of combustible materials.
- Heater is on a hard and level surface.
- There are no signs of spiders or insect nests.
- All burner passages are clear.
- All air circulation passages are clear.
- Children, pets, clothing, flammable materials and items that can be damaged from radiant heat are away from the heater.
- Children and adults in the area have been alerted to the high temperature hazards: especially burns and clothing fires.
- Children and adults in the area have been warned not to touch the heater near the burner during operation and until unit has cooled.

### AFTER OPERATION

- Gas control is in OFF position.
- Gas tank valve is OFF
- Disconnect Gas Line.
- Heater is upright in a secure location.

## 5. CLEANING AND MAINTENANCE

Your heater has been produced from highly weather resistant materials and only minimum cleaning and maintenance is required. Cleaning must be performed when the heater is cold. Your patio heater will live longer if it is cleaned and maintained properly. It is very important that the air required for the combustion process is not blocked going to the burner. Vents and other openings must be kept free of dirt and spiders webs. The burner lower part is one unit. You can not clean it.

### Stainless steel models:

Use a stainless steel cleaner product on the main components of the heater, cylinder cover, base and post. Never use a cleaning agent that is flammable or corrosive. Never spray any cleaning product on the emitter grid or burner area.

### Painted models:

Wash all painted parts of the heater with a soapy solution and protect it with a coat of automobile car wax a couple of times per year or as required dependent upon your local weather and climate conditions. If you need to touch up a painted heater only paint the post and base portions. Never paint the emitter grid, lighting instructions, valve or control knob area or the LP cylinder!

The burner ports must also be kept clear so that the burner burns evenly and the flow of gas is not restricted. If the heater is not performing adequately it will be necessary to check the burner.

In a salt air or ocean enviroment, corrosion and rust occur at a far greater rate than in non-ocean areas. You will need to check more frequently for corrosion and replace parts as required.

## 6. STORAGE

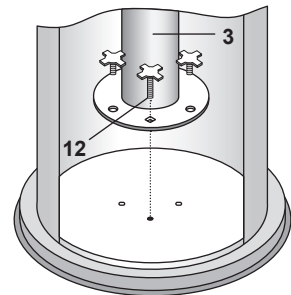
- Turn control knob OFF
- **Disconnect LP source and move to secure, well-ventilated location outdoors.**
- Store heater upright in an area sheltered from direct contact with inclement weather (such as rain, sleet, hail, snow, dust and debris).
- If desired, cover heater to protect exterior surfaces and to help prevent build up in air passages.
- **Never leave the LP cannister exposed to direct sunlight or excessive heat.**
- Note: Wait until heater is cool before covering.
- If using a cover, ensure is is tightly fitted or secured support it during high winds.



## RETRACTABILITY

Please note: before retracting, allow the device to cool down. For retracting the device, e.g. for transportation purposes, loosen the 3 star grip screws (12, 16) and carefully allow the column (3) to retract into the container. **Take care when retracting!**

Hold the column when you loosen the star grip screws. Ensure sufficient distance from the device, so that lowering the reflector doesn't result in any injuries. The reflector can be disassembled. Upon retraction of the column (3), fasten it with the star grip screw (12) via the square hole on the glass and the embedded nut in the base.



## 7. SPECIFICATIONS

**Certifications:**

CSA International Requirement 5.90  
Canadian National Standard  
CAN 1-2.23-M82

**Rating:**

Maximum 40,000 BTU/hr. input

**Heat Range:**

Up to 20 foot diameter

**Fuel:**

Liquid Propane Gas (LP)

**Tank Size:**

Nominal 20 lb / 5 Gallon

**Inlet gas supply pressure:**

Maximum 150 PSI  
Minimum 5 PSI

**Mainfold Pressure:**

11.00 in.w.c.

**Safety Features:**

100% Burner shut-off  
Tilt switch

**Manufacturer:**

Enders Colman AG

**Made in:**

P. R. China

## 8. WARRANTY

Correct functioning of the appliance is guaranteed for two years.

The guarantee is dependent on proper handling of the appliance and official proof of the date of purchase.

We reserve the right to make technical changes and changes to the colour.

## 9. SERVICE ADDRESS

Distributoys  
650 South Wheeling Road  
Wheeling  
IL 60030  
Tel 847 850 5335  
Fax 847 850 5336  
Mail [enders@distributoys.com](mailto:enders@distributoys.com)

**ENDERS Colsman AG**

Brauck 1

58791 Werdohl-Kleinhammer

GERMANY

Phone: (0049)-(0) 23 92-97 82 31

Fax: (0049)-(0) 23 92-97 82 70

E-mail: [info@enders-colsman.de](mailto:info@enders-colsman.de)

Internet: [www.enders-colsman.de](http://www.enders-colsman.de)

**ENDERS UK Ltd**

Unit 17, Glenmore Business Centre

UNITED KINGDOM

Range Road

Witney, OXON OX29 0AA

[info@endersltd.co.uk](mailto:info@endersltd.co.uk)