

CABANA 9x6

PANELIZED GARDEN BUILDING

INSTRUCTIONAL MANUAL

Cedarshed Industries (1992) In.c
9770 - 199A Street
Langley, B.C. V1M 2X7
Canada



CABANA

ASSEMBLY INSTRUCTIONS

1. Foundation preparationpage 5 to 8
2. Floor assemblypage 9 & 10
3. Wall assemblypage 11to 17
4. Roof assemblypage 18 to 24
5. Completionpage 25 to 31

TOOLS YOU NEED

Garden tools for foundation leveling work.
Power drill & drill bits.
Stapler (recommended for insect screen & roofing felt.)
2 step ladder (8' min.)
36" carpenters level.
Hammer, saw, tape measure, pencil, etc.
1/16" drill bit

MATERIALS REQUIRED

Foundation or concrete foundation pads.

ASSISTANCE REQUIRED

A minimum of two people will be required to construct the building,
a third person will be helpful when working on the rood structure.

NOTE:

Assembly of building will require the use of power tools and a ladder. Please take precautions at all times.
Obtaining necessary permits is the sole responsibility of the purchaser.
Please visit our website at www.cedarshed.com for additional safety tips and other considerations to
promote safe and enjoyable usage of your Cedarshed Product for years to come.

CABANA

DO I NEED A BUILDING PERMIT?

Check with your local permit office for the regulations for your area, Generally, structures under 100 square feet do not require building permits. If a permit is required, your local permit office will have an application form. Obtaining necessary permits is the sole responsibility of the purchaser.

All Cedarshed products are constructed of Western Red Cedar. all framing components are a nominal 2" x 3" size.

Safety Points and Other Considerations

As a proud owner of a Cedarshed gazebo, garden shed or outdoor furnishing(s), we want you to safely enjoy it for many years to come. Our products are built for use based on proper installation on level ground and normal residential use. Please follow the Assembly Manual when building the structure, and keep this manual as a reference for future maintenance.

When using power tools, ladders or any other tool, observe all safety precautions recommended by the manufacturer. Always use appropriate safety equipment, including eye protection.

Customers agree to hold Cedarshed Industries (1992) Inc. and any Authorized Dealer free of any liability for improper installation, maintenance and repair of any Cedarshed product.

Some Safety Tips to consider include:

1. Roof snow load rating varies by geographical location. If a heavy or wet snowfall occurs, it is advisable to clear the snow off the roof.
2. If the structure is elevated above ground, local Building Code requirements are solely the owners responsibility, and should be abided by,
3. In high or gusty wind conditions it is advisable not to the structure, and it may be advisable to keep the structure securely grounded.
4. Have a regular maintenance plan to ensure floors, walls, doors, windows, roofing members etc. are secure and ready for adverse weather conditions.
5. In some geographical regions, our product are not rated for human occupancy. Please check with local authorities if this is the intended use.
6. It is important to properly prepare the foundation to ensure the proper construction of Cedarshed products. Please review the information in this Assembly Manual or our website or alternatively, consult with a professional with knowledge on properly preparing a foundation.

Our customers love telling us their Cedarshed stories and we are proud to hear them. Local conditions, personal construction abilities and other factors may effect the construction of any Cedarshed product, so it is possible that your experience may differ from those presented in this manual, in our catalogue or on our website.

PARTS LIST FOR CABANA

Part Name	Size or Type	No.
-----------	--------------	-----

FLOOR		1
Floor panel	46 ½" x 69"	1
Floor panel	27 5/8" x 69"	1
Floor panel	34 ½" x 69"	1
Rim joist	2" x 3" x 69"	2

WALLS

Back wall panel	34 ½"	3
Side wall panel	34 ½"	4
Front wall panel (window)	34 ½"	2
Gable end		2
Top plate	1" x 3" x 63 7/8"	2
Top plate	1" x 3" x 54 7/8"	4
Headers	2" x 3" x 34 ½"	7

DOOR

Door frame + Dutch door	34 ½" x 76 ½"	1
-------------------------	---------------	---

ROOF

Roof panels	46" x 60"	4
Gussets	2" x 3" x 42"	4

TRIM

Corner trim (wide)	1" x 3 5/16" x 77 ½"	4
Corner trim (narrow)	1" x 1 ½" x 77 ½"	4
Finishing trim	1 ½" x 79 ½"	2
Finishing trim	1 ½" x 77 ½"	2
Soffits	½" x 4" x 54 3/8"	4
Fascia	1" x 3 ½" x 59 ¼"	4
Top skirting	½" x 4 ½" x 33"	4
Top skirting	½" x 3" x 33"	5
Bottom skirting	½" x 3" x 33"	9
Bottom skirting	½" x 3" x 31 3/8"	1
Plaque	Pentagon (no picture)	2
Plaque	Square (with picture)	1
Ridge caps	24" (bundle)	1

Part Name	Size or Type	No.
-----------	--------------	-----

HARDWARE		
3" screws	bag	1
2" screws	bag	1
1 ¾" finishing nails for trims - bag		1
1" nails for felt	bag	1
Roll of roofing felt		1
2" ridge cap nails	bag	1
Metal roof / flashing	3" x 12"	8
Window boxes		2
Shutters		4
Door handle		1
Barrel bolt		1
Hasp		1
T - hinges		4
1 Drill bit, assembly manual and questionnaire		

To confirm you have received all materials, sort them according to this list. Call or e-mail us if you are missing items and we will courier or ship as soon as possible.

Protect your building materials from wet weather by covering them when necessary.

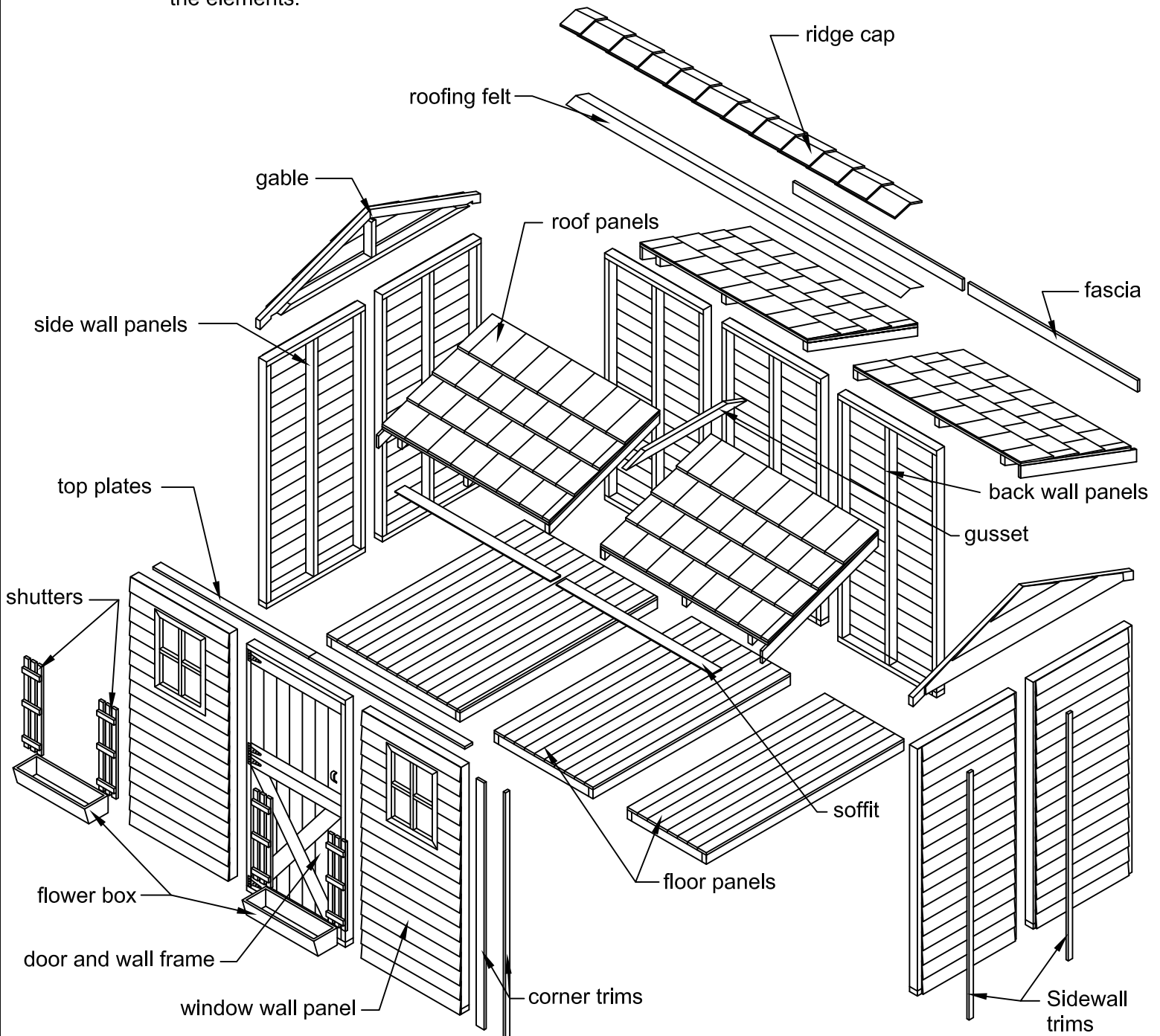
UNPACKING

To confirm you have received all parts, sort pieces according to usage. Call or e-mail us immediately if you are missing any parts and we will courier any part(s) within seven (7) days, free of charge.

Toll Free Customer Support Line: 1-800-830-8033

Email: Sales@cedarshed.com

If you will be working on a Cedarshed product over the course of several days, please cover any pieces to keep them sheltered from the elements.



1. FOUNDATION PREPARATION

WHAT SHOULD I DO TO PREPARE THE SITE?

Before you begin assembly, clear the construction area. Remove all debris, roots, grass, rocks etc. Make sure the ground slopes away from the site at least 10 feet (3048mm) in all directions. If necessary, build up the soil in the center of the site and slope away from the high point to provide drainage. fill in any low spots within the perimeter of the site.

GRADE A SLOPE OF 1/8" PER FOOT (10.MM PER METER), enough to prevent water accumulation. We recommend excavating the site 4" (102mm) deep and laying gravel or crushed rock where drainage maybe a concern.

WHAT TYPE OF FOUNDATION SHOULD I USE?

Concrete Patio Stone Foundation (Option 1): (not included)

If the ground is stable and has sufficient drainage, you can set patio stones directly on firm compacted soil. If not lay the patio stones on gravel or crushed rock. Place the patio stones at the load bearing points of the floor and under each doorway post. You may wish to slide the exterior patio stones a few inches or centimeter under the floor joist system to reduce a tripping hazard.

With all of the patio stones in place, you are now ready to level the patio stone foundation.

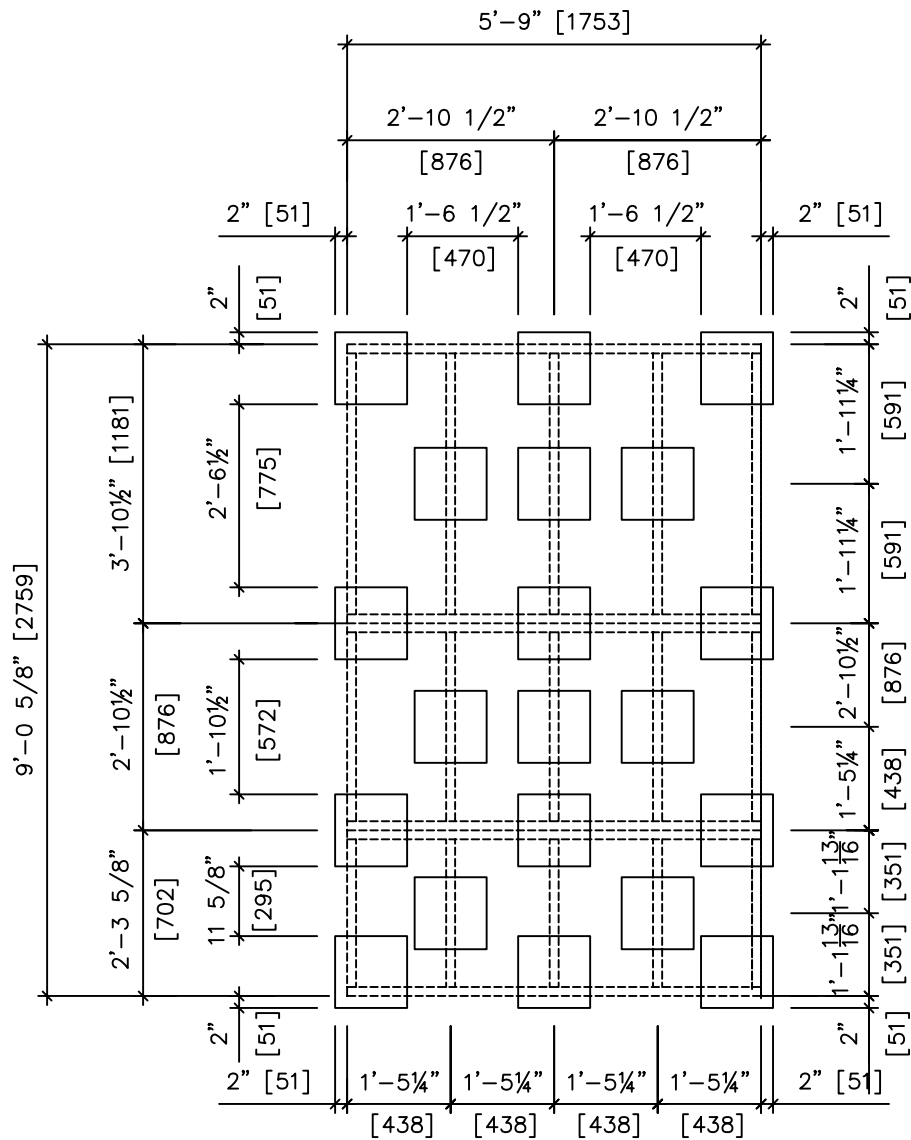
Using a shovel, add or remove soil beneath each patio stone to adjust the level. Use a carpenters level on a long straight piece of lumber on end to level from one patio stone to another for all the patio stones. Remember to compact (soil / sand / gravel) as much as possible under each patio stone. It is recommended that you level the outside patio stone first and then work your way inward. Lay landscape cloth to prevent weeds from growing between foot boards.

Concrete Slab Foundation (Option 2) (not included)

Typically a slab 3" - 4" (75 - 102 mm) thick laid over a subbase of 4" (102mm) of gravel or crushed rock is sufficient but may vary (consult your local Cedarshed supplier). Either mix your own concrete or have it delivered to your site. A 10' x 10' x 4" (3048mm x 3048mm x 102mm) slab will require approximately 1 cubic yard (0.764 cubic meter) of concrete. in any case, make sure you excavate the slab area to a depth of 6" (152mm), use 4" (102mm) of gravel as your subbase. Welded wire mesh as reinforcing (optional) and 4" (102mm) of concrete (trowel to allow for drainage away from center high point). Still use 1" (25.4mm) patio stone on concrete slab to allow adequate air circulation to keep the floor joist dry. This will prevent dry rot from setting in.

THE CONSTRUCTION MUST BE DONE ON A LEVEL FOUNDATION AND BE IN ITS FINAL LOCATION. PLACE ADDITIONAL FOUNDATION PADS AS YOU FEEL NECESSARY TO STABILIZE THE FLOOR SYSTEM. YOU MUST HAVE A LEVELED FOUNDATION BEFORE PROCEEDING TO LAY FLOOR ASSEMBLY.

1. FOUNDATION PREPARATION



Suggest stone placement
for floor stabilization.

Figure B1

NOTE:

This layout shows 12"x12" (305x305) Patio stones with a 2" (51) exposure around floor joist system. Make adjustments as necessary.

1. FOUNDATION PREPARATION

3. Use a 2x3 or 2x4 straight piece of lumber on edge, and a carpenter's level to level the perimeter patio stones. Add or remove soil under each stone until it is flush with the bottom of the 2x4 as shown in "Figure B2". Continue this procedure with the interior tones until you are satisfied all the stones are level with one another.

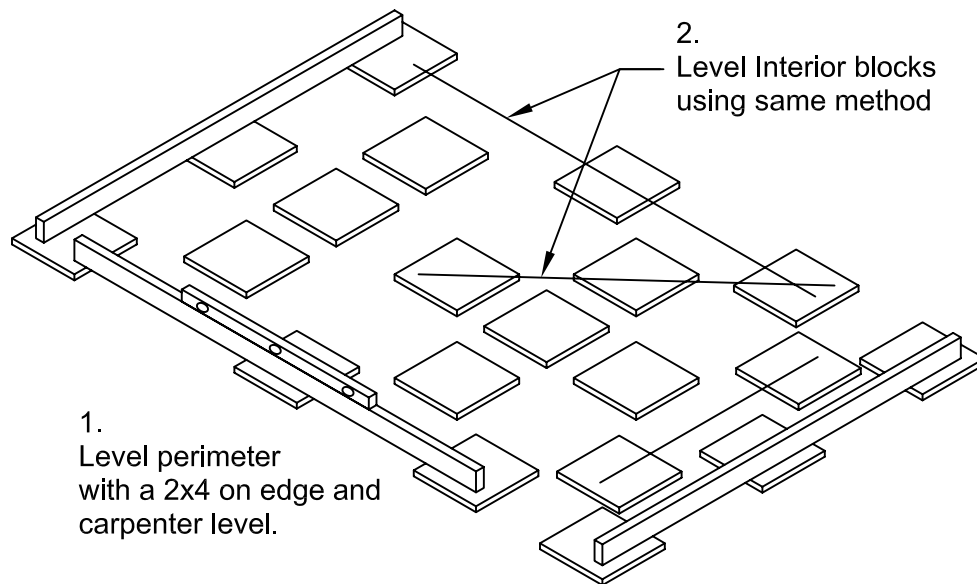


Figure B2

SITE SELECTION

Be sure to allow for a 12 (31 cm) roof overhang on all sides of your Cabana. The overhang is included in the table figures below.

It is important that your site surface is flat and stable.

The following list shows the area required for your Cabana.

Size of Cabana - 69" D x 108 5/8" L (175.26cm D x 275.91cm L)

Area required - 6'10" x 10' (208.28cm x 304.80cm)

Vertical clearance - 8' 3 1/2" (252.73cm)

Take some time now to plan the orientation and sitting of your building to suit your particular site requirements.

2. FLOOR ASSEMBLY

1. It is very important to have a levelled foundation, otherwise you might have difficulties later when trying to install the wall and roof panels.

TO ATTACH THE FLOOR PANELS TOGETHER

2. Turn all 3 floor panels upside down and arrange them as shown and attach the 2 floor joist to the floor panels with 3" screws (Figure S1).
3. With the rim joist attached, you will now attach the floor panels together with 3" screws. (Figures S2 and Figure S3).
4. When all three floor panels are attached together, with your helpers carefully lift and turn the floor panel assembly over (see Figure S4 next page).

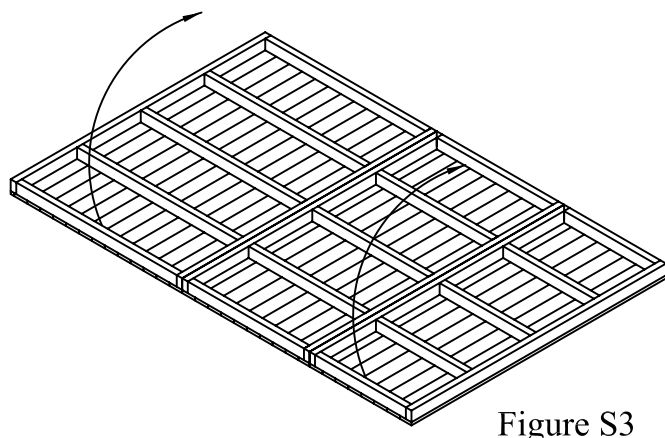
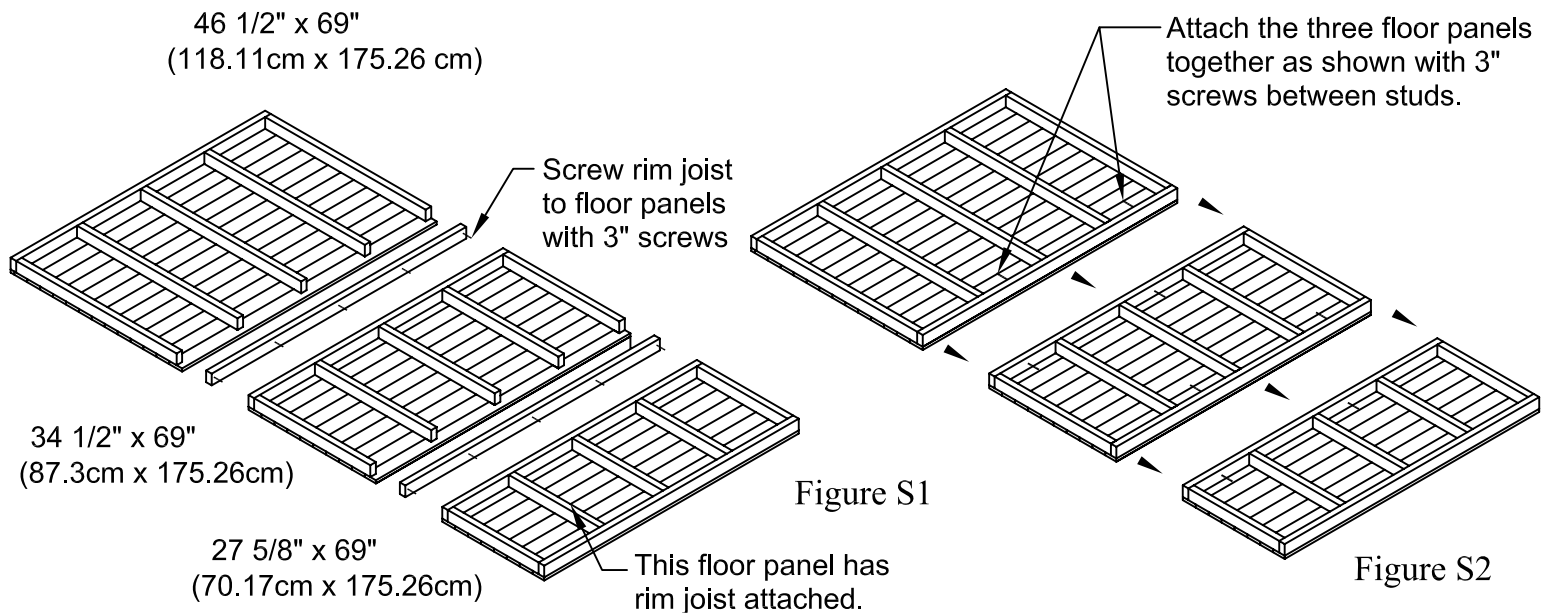
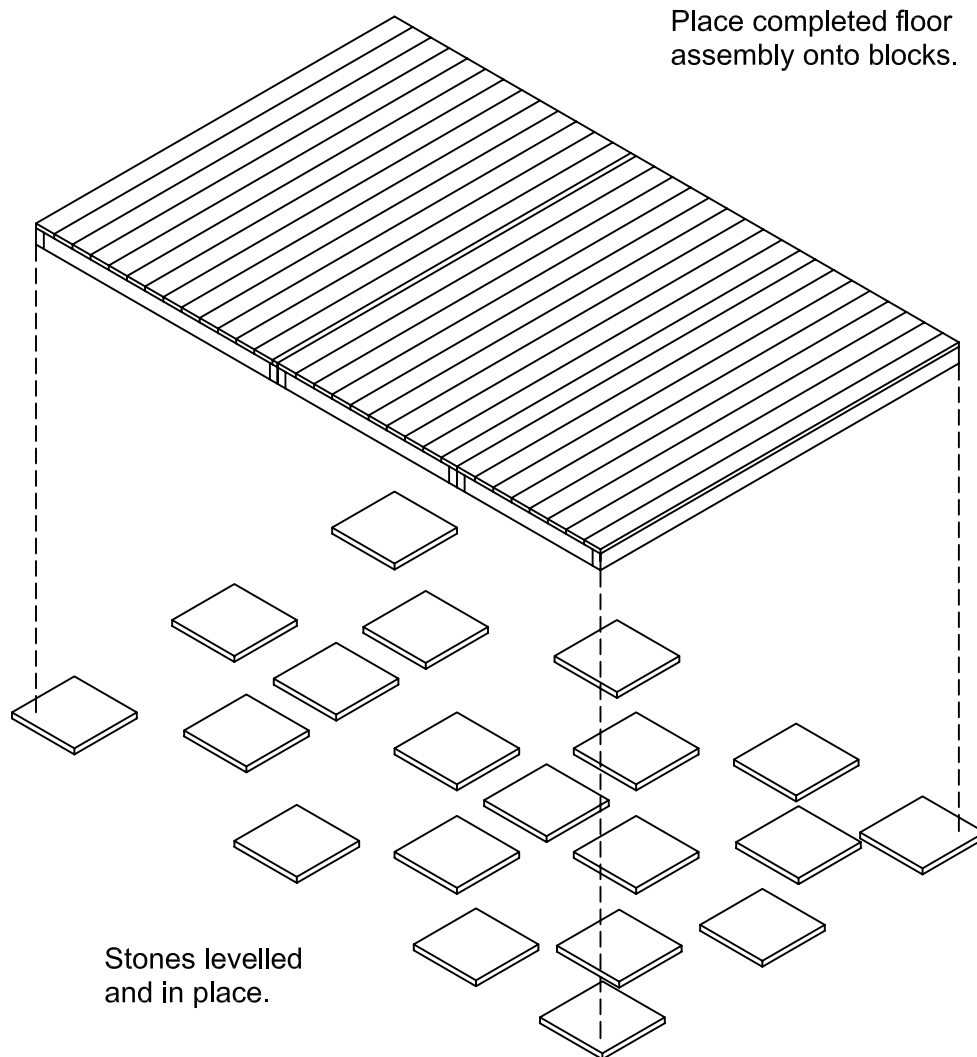


Figure B1

2. FLOOR ASSEMBLY

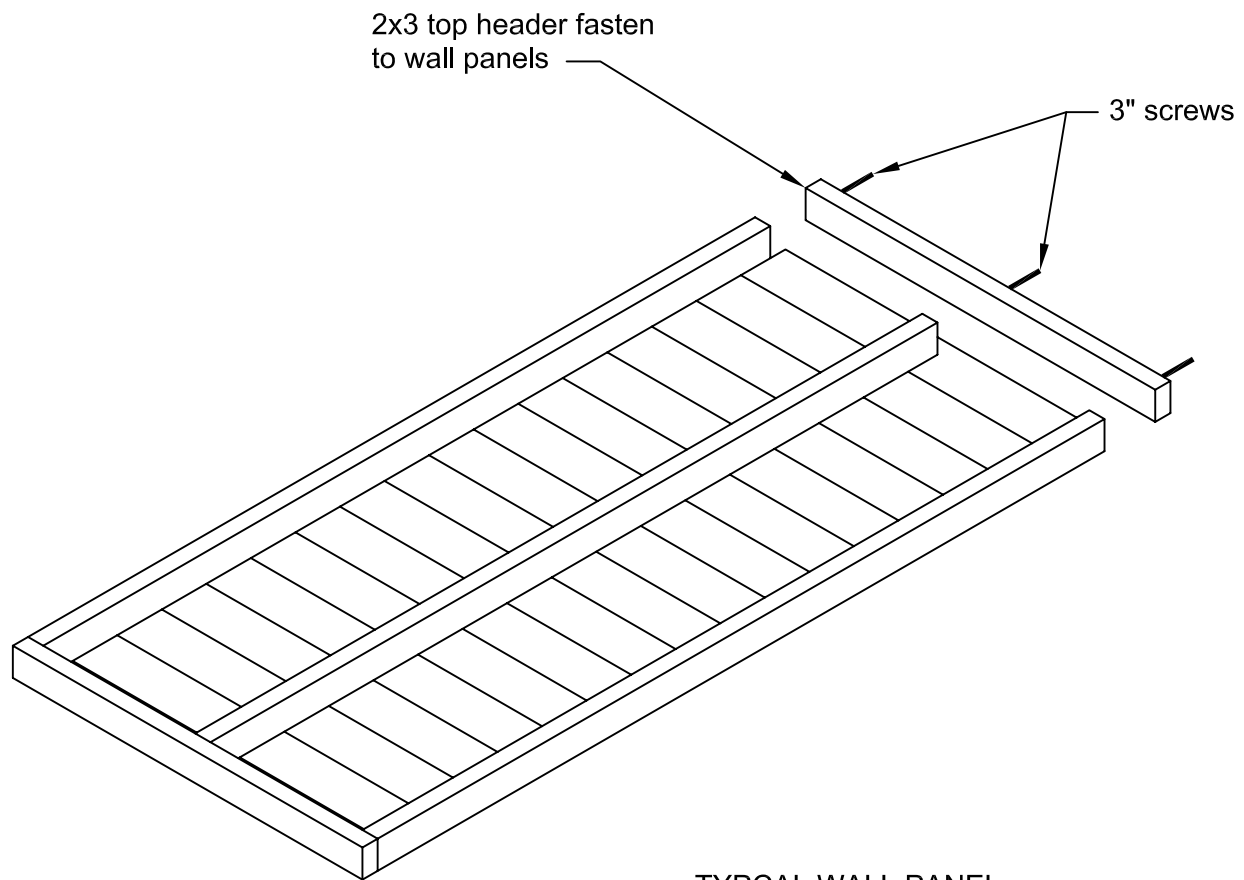
4. With a helper, lift the completed floor unit onto the patio stones [see Figure S4]. Place the level at various points on the deck and check to ensure it is level. Walk on the deck and check for excessive bounce or rocking. Adjust soil and stone as required. When you are satisfied with the position of the floor unit, you are ready to proceed with the wall assembly.



3. WALL SECTION ASSEMBLY

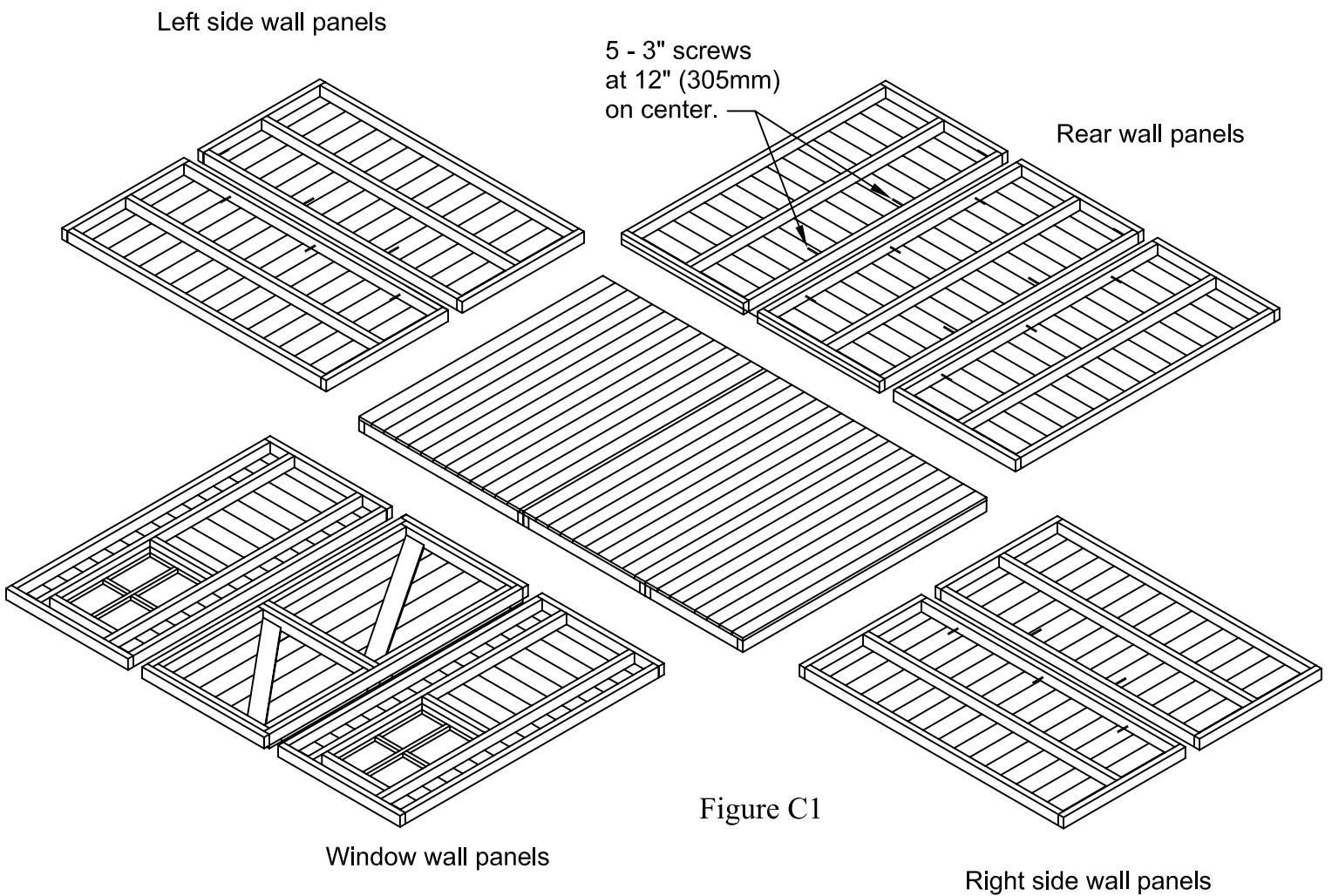
The wall assembly comes in ten pre-assembled panels. Seven of these panels are solid, two are windows panels and one is door panel. Notice that the door panel is comprised of the frame and Dutch door.

1. Lay all the panels around the floor deck, as shown below. you will be required to attach a 2x3 header to the top of all wall panels, except the panels containing a window. use 3" screws to fasten.



TYPICAL WALL PANEL

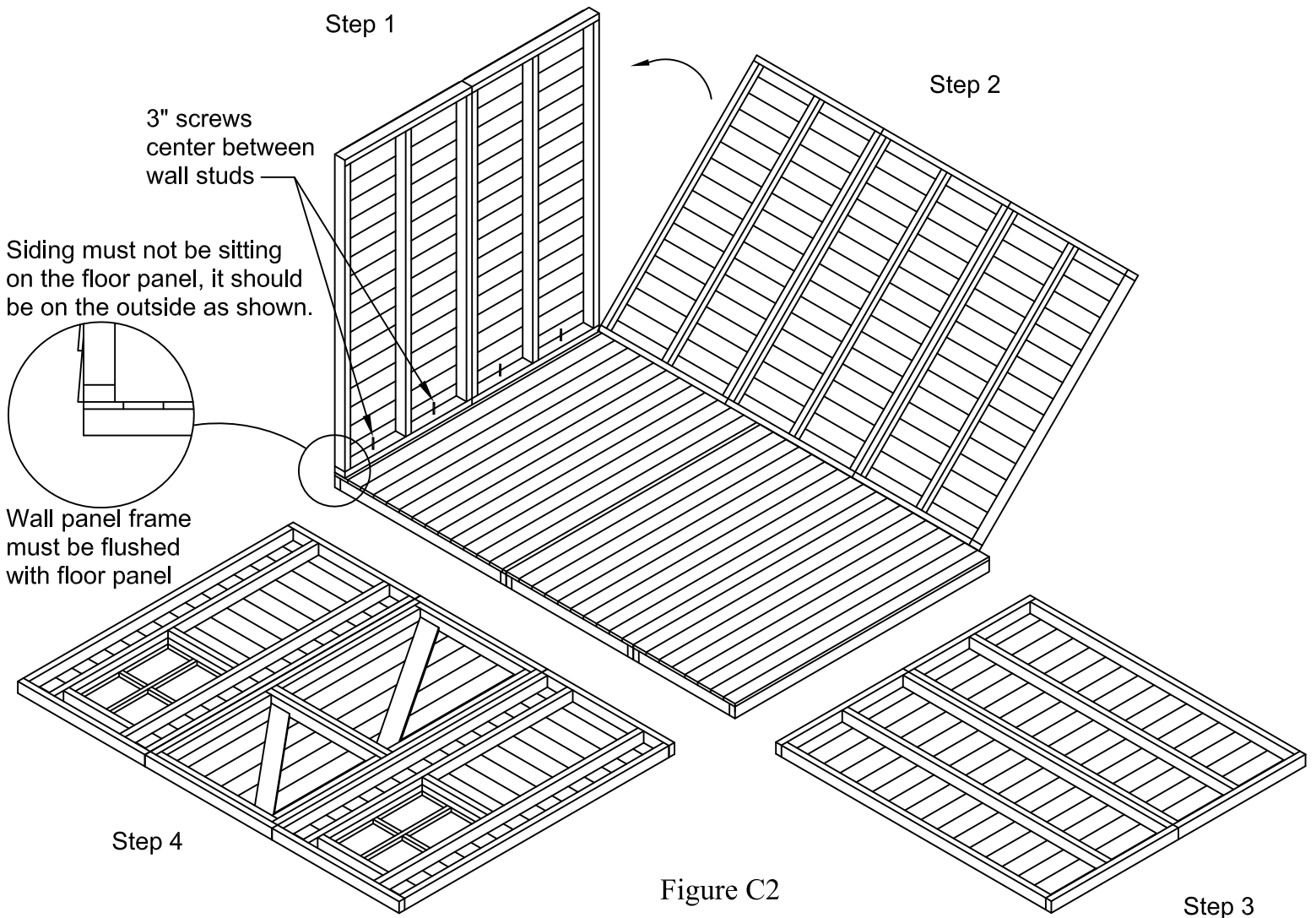
2. Once the panels are completed, begin fastening them together, starting with the left side and then the rear [see Figure C1]. When positioning panels together, make sure they are aligned so the 2" (51mm) gap is located in the center. The detail in "Figure C1" shows the alternate screw pattern for fastening the 2x3 wall frames together.
3. Wall panels are interchangeable. Windows and door frame panel can be placed anywhere on the four sides. The panel layout shown below is an example.



4. With the help of an assistant, erect the left wall and the rear wall and hold. The sidewall should meet the rear wall in a butt joint [see Figure C2]. The wall panel frame should be flush with floor panel and siding must not be sitting on the floor panel, it should be on the outside. Fasten using 3" screws every 12 inches (305mm).

NOTE:

Fastening wall corners with one screw will keep it from falling over yet allow you to adjust assembly! Do not do the final fastening until all walls are up and fitting well on the floor. When you are satisfied with the final placement, begin placing screws at 12" (305mm) intervals.



5. Continue as in "Figure C3" by erecting the other end wall assembly. Again the right wall panel frame must be flush with the outside edge of the floor and the siding must not be sitting on the floor panel, it should be on the outside.
6. Now place the window walls into their correct positions. You may choose to erect the three panels separately because the door panels may be heavy and awkward. When the window walls are in place, lift the door assembly into position. Check to see that all trim boards on the door panels are seated properly. Attach the door frame adjacent to wall frames with 3" screws [see Figure C4].

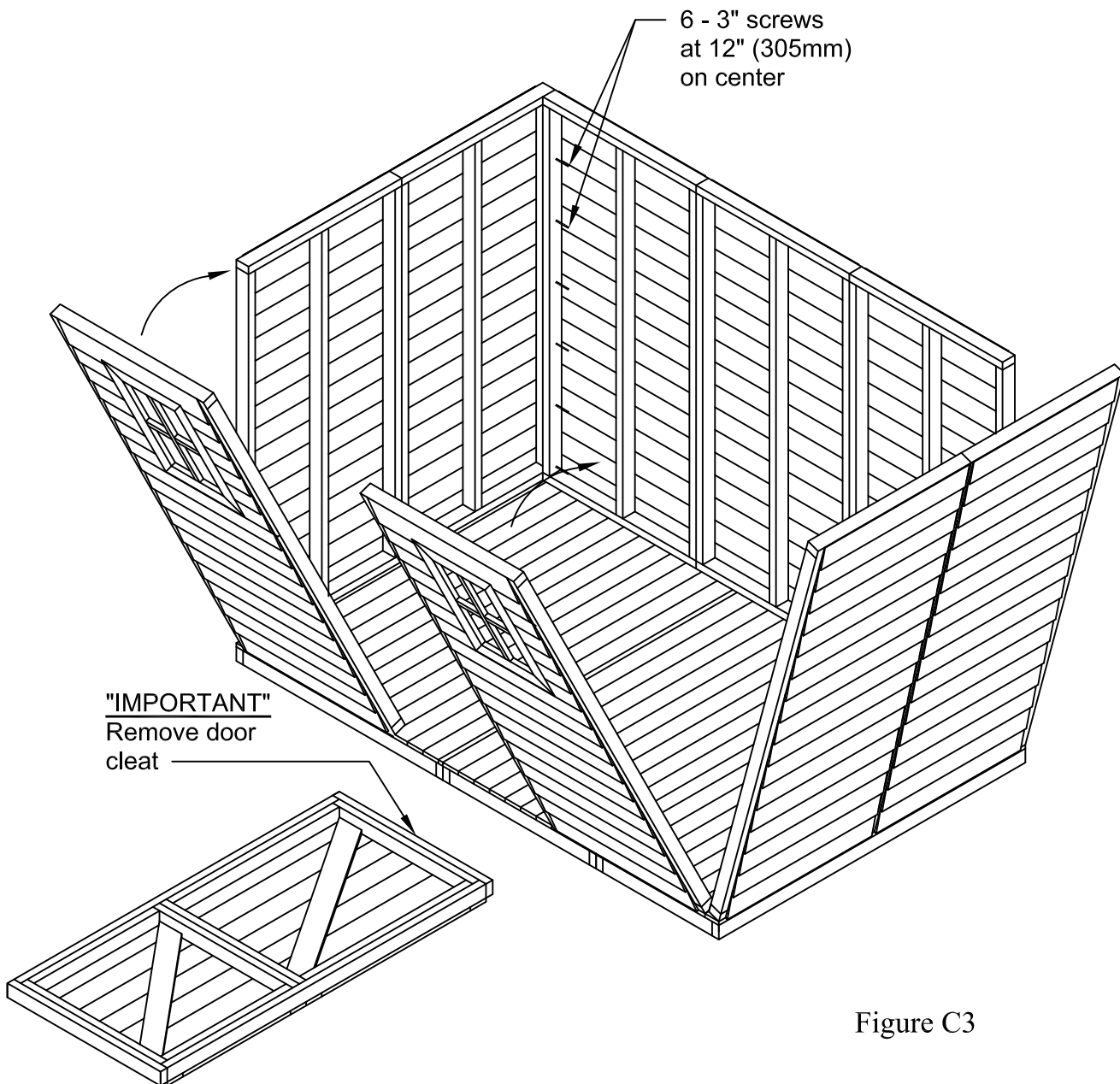
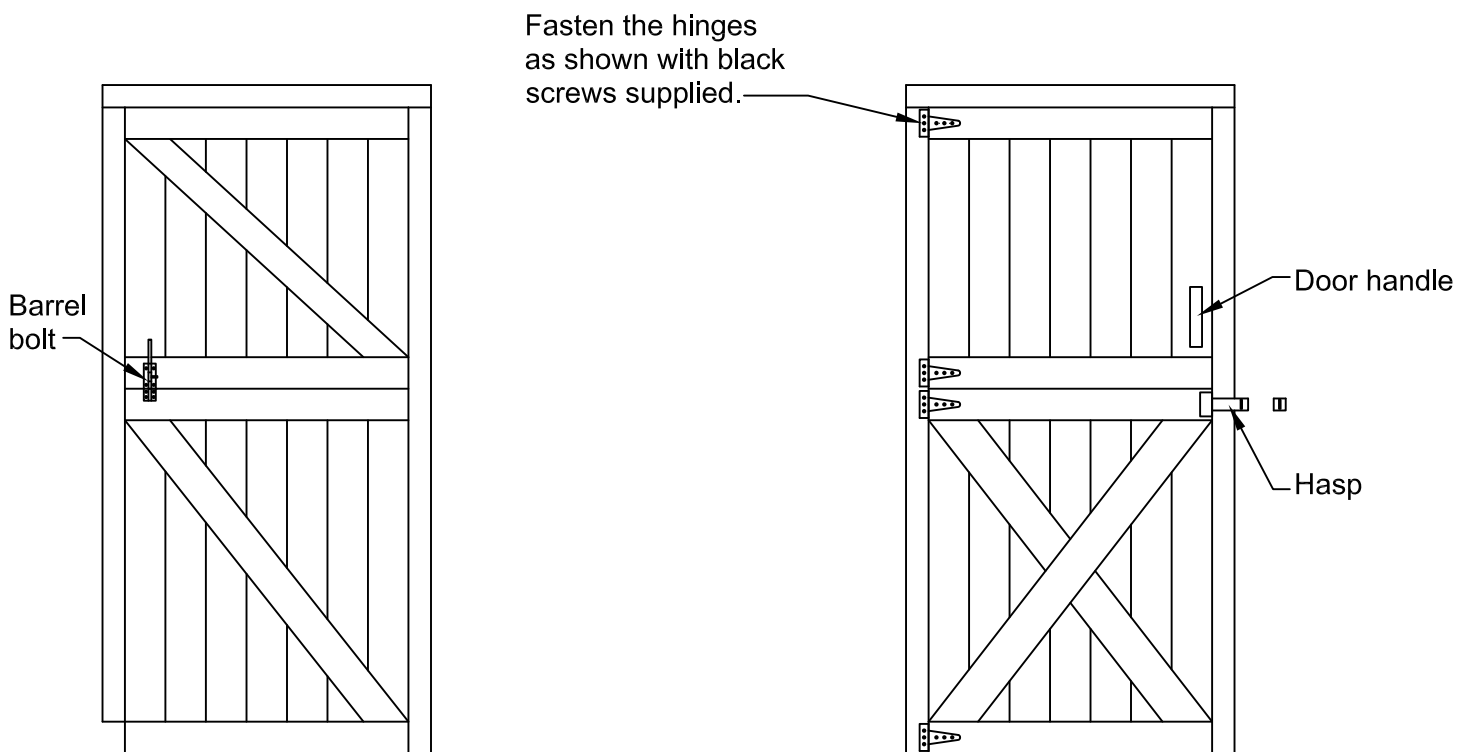


Figure C3

DOOR HARDWARE INSTALLATION

- Pre-drill the holes before mounting the hinges, handles, barrel bolts and hasps using 1/16" drill bit. Allow 1/8" (1.25mm) gap at the top and two sides, between the door and the door frame. Place the hinges on the two halves of the Dutch door. Make sure there is a gap between the door and door frame on the side where the hinges will be mounted, also make sure the door is placed in the middle of the opening and leave a gap of 1/8" (1.25mm) between the two halves of the door. There is a barrel bolt supplied for you to mount on the inside which will allow you to keep both halves together. If you do not want to use the Dutch door feature.



INSIDE VIEW

OUTSIDE VIEW

7. Align door and attach using 3" screws. Now is a good time to attach door hardware.

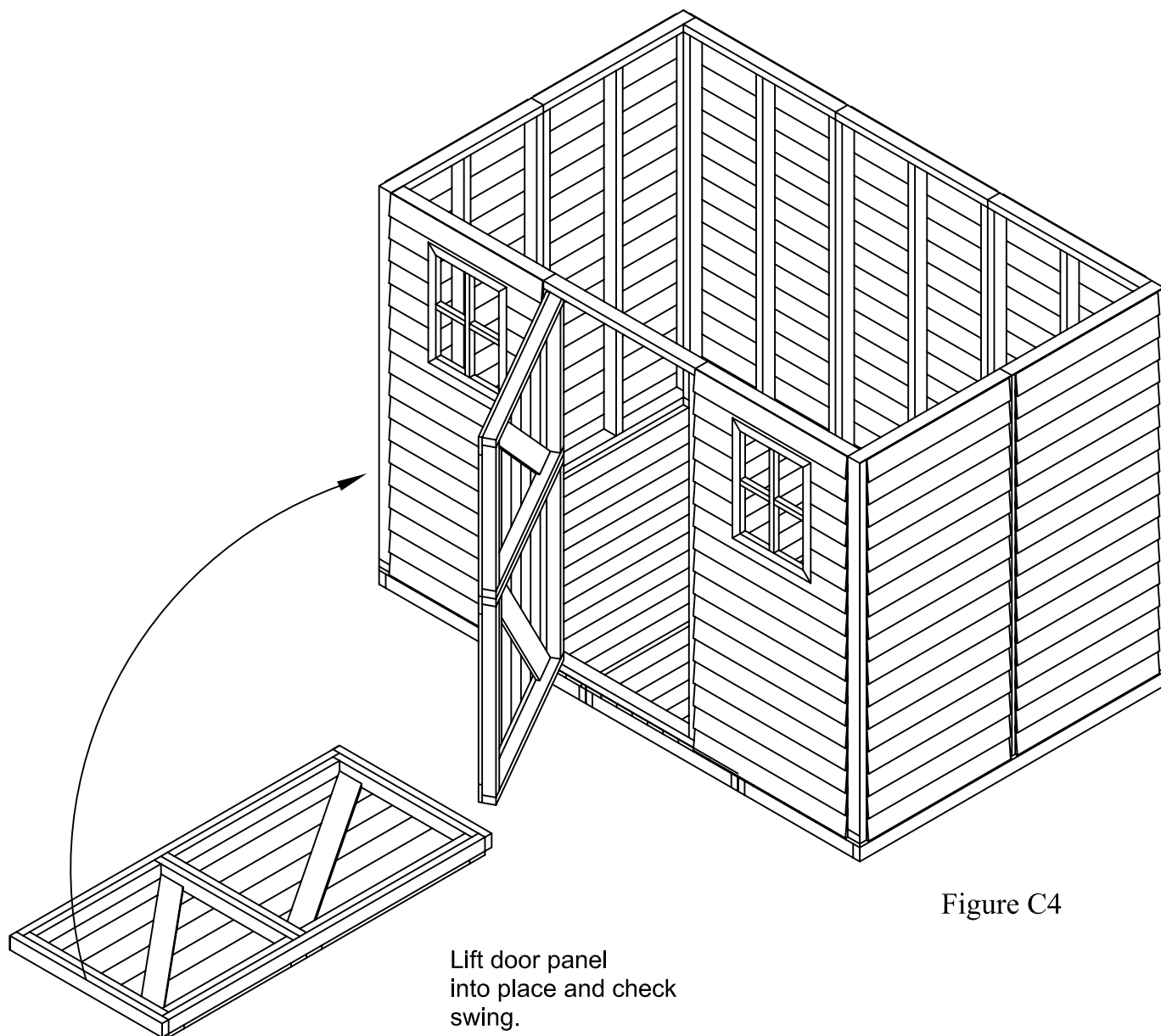
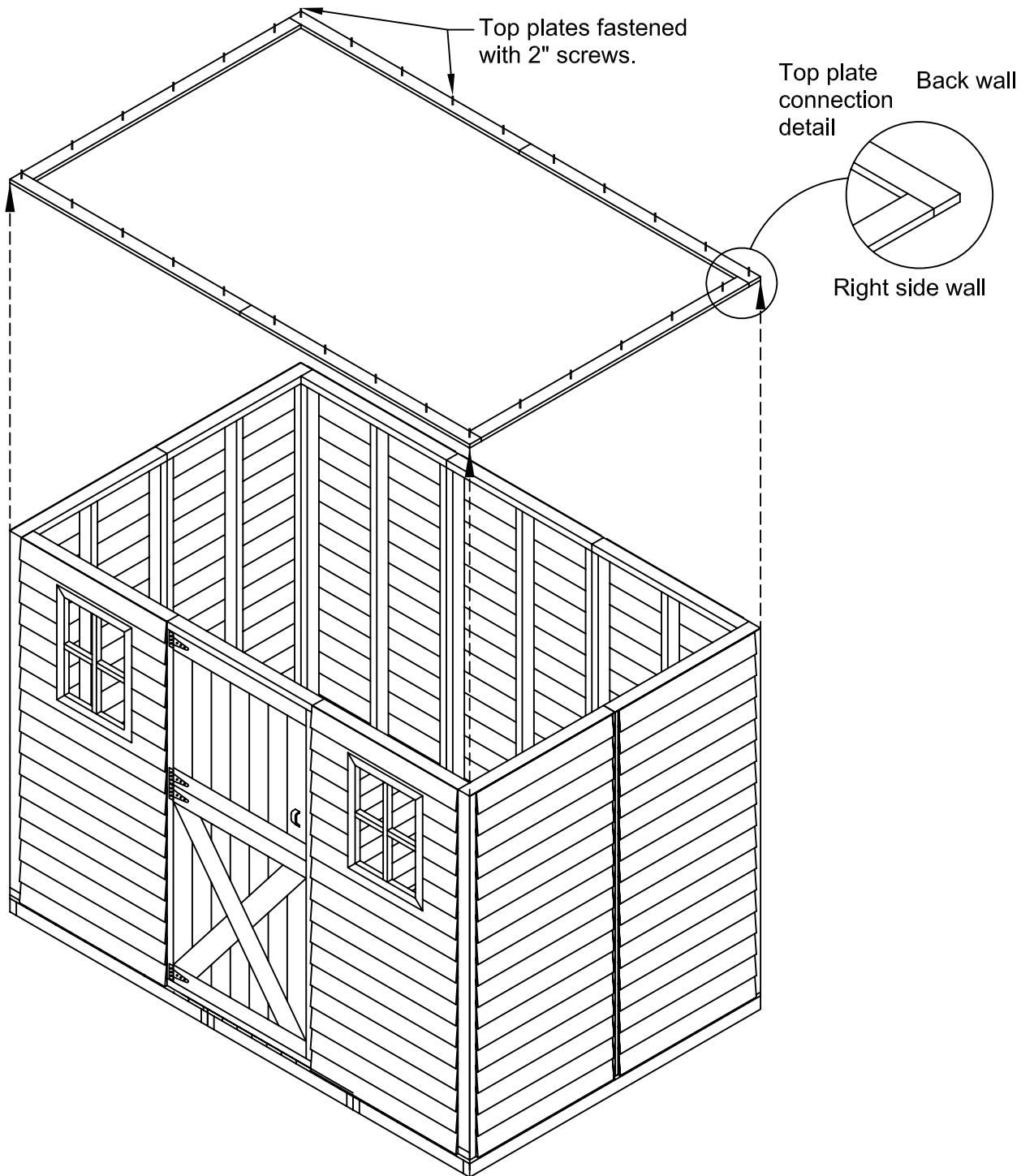


Figure C4

Lift door panel
into place and check
swing.

7. Starting with the back wall, mount the 1x3 top wall plates to the header of each wall panel as show below, using 2" screws every 12 inches (305mm).



8. Position the gable wall on top of the top plate of the front and back of the Cabana. The 2x3 frame should sit flush on the 2x3 wall frame and 1x3 plate. [See detail in Figure C5.] Use 3" screws.

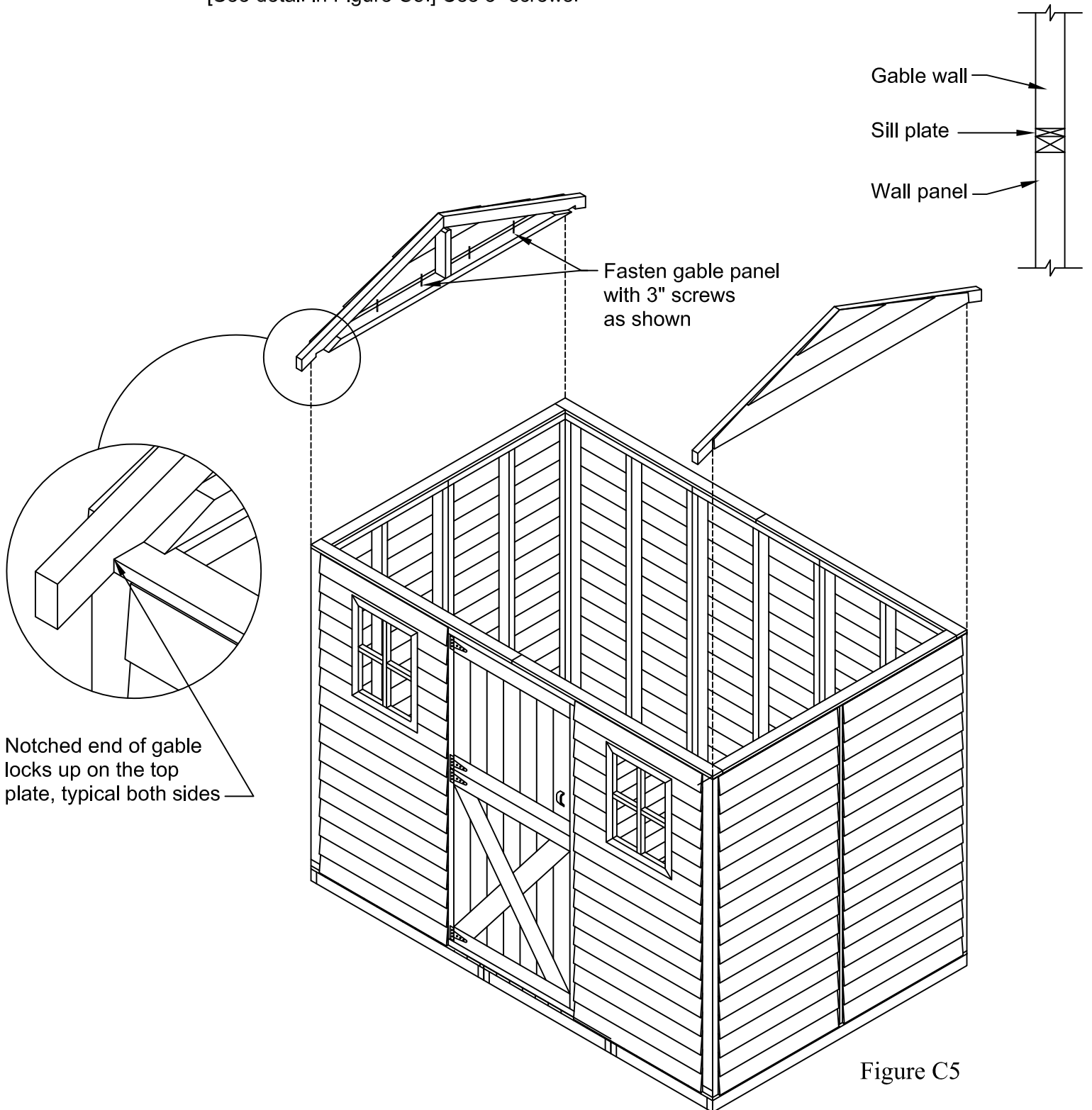


Figure C5

4. ROOF ASSEMBLY

You'll definitely need help with the roof panels. You'll also need an 8' step ladder to help you with placing the roof panels on the structure.

1. Take one of the roof panels and hoists it up onto the side and top of the Cabana. Notice that the factory installed fascia should be facing outward. The roof panels should sit on the wall frame. Tack the roof panel down with 3" screws. complete the opposite side. Both roof panels should fit snugly together [see Figure D1].

NOTE:

The end gable fascia boards indicates the left and right of each roof panel. You may need to adjust the panels until the fascia line up properly.

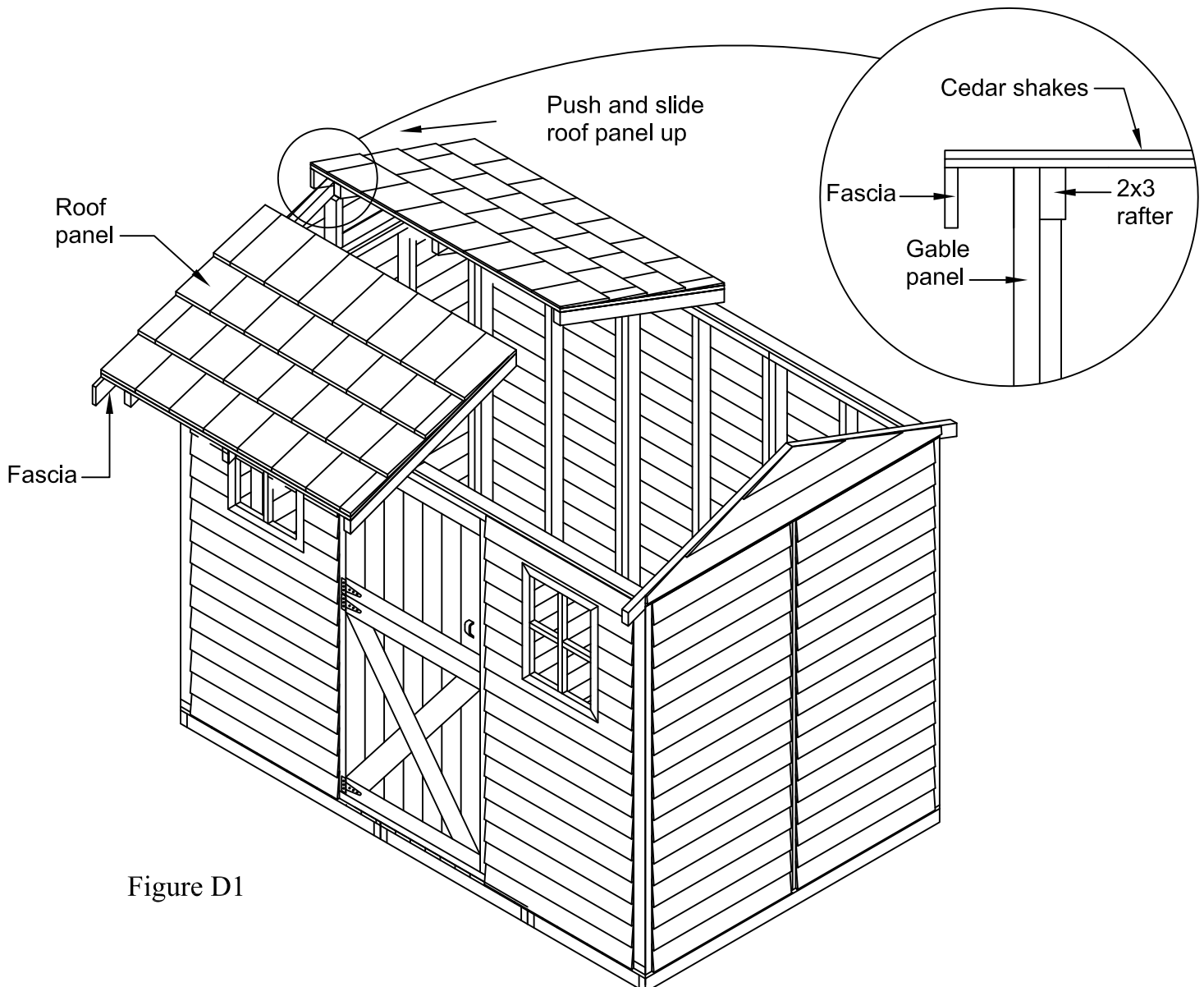
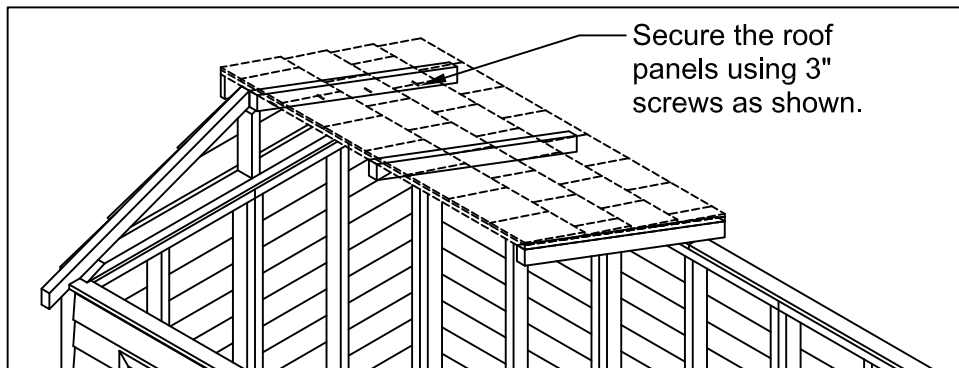
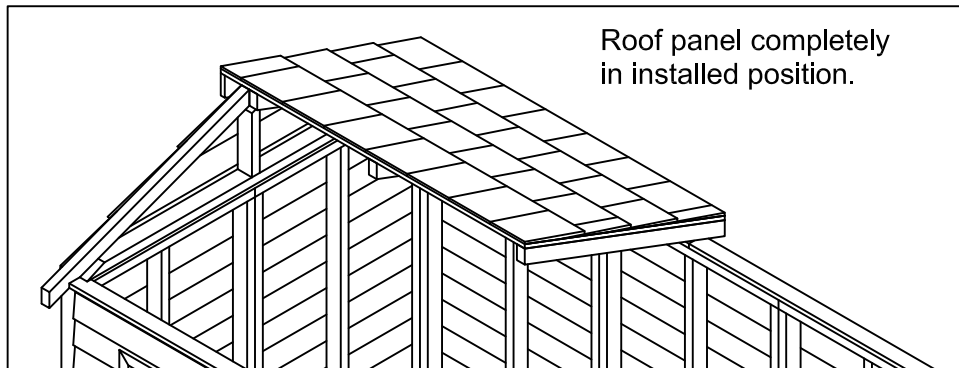
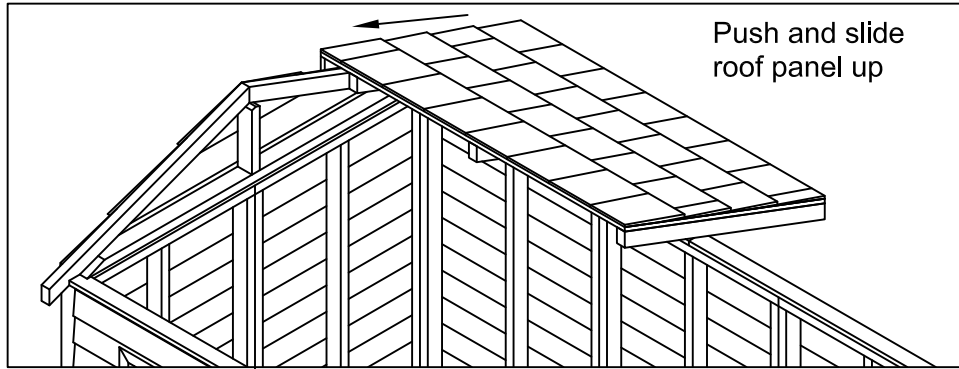
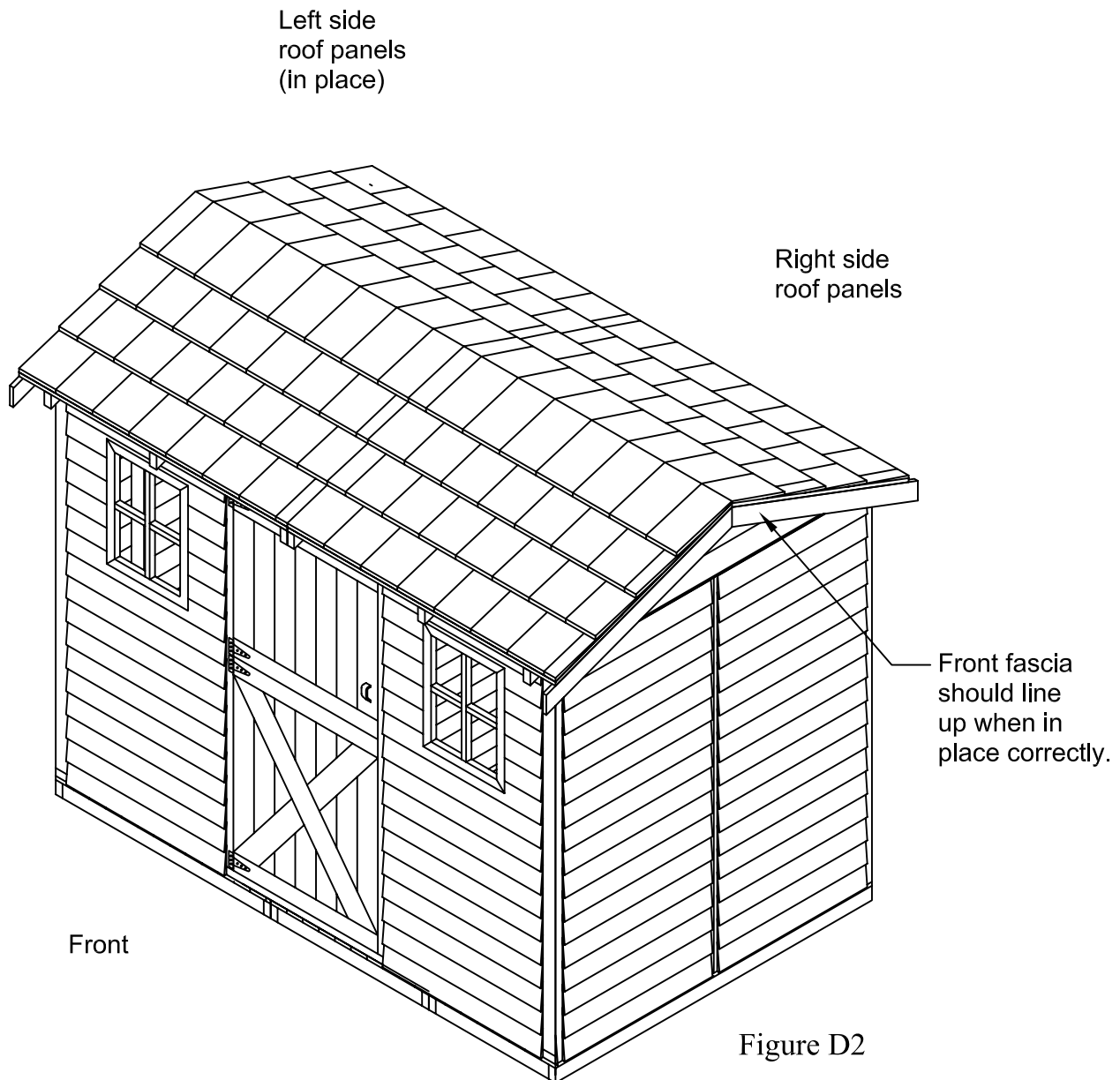


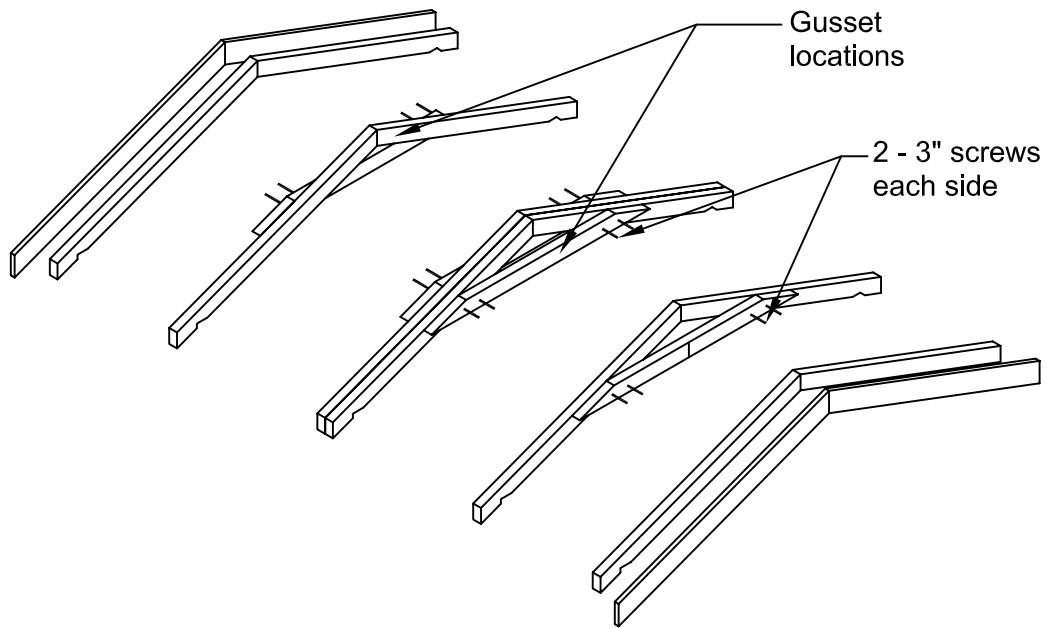
Figure D1



2. The roof panel is in the correct position when the seat cut on the rafter sits on the top top plate and the 2x3 end rafter is flush with the gable wall 2x3. Tack into place using 3" screws.
3. Repeat the same procedure with the third and fourth roof panels [see Figure D2]. Check the flush matching ends of the gable fascia boards and seat cuts for proper fitting. The fascia boards should have a slight gap between them.



4. The roof rafters should be flush and the seat cut should sit on the top plate. When it is in the correct position, attach centre rafter's together using 3" screws. From the inside of the Cabana, screw the rafter into the top wall places using 3" screws.
5. Attach 4 gussets to the rafters using 3" screws to complete the roof. make sure the tops of the rafters are aligned prior to completion [Figure D3].

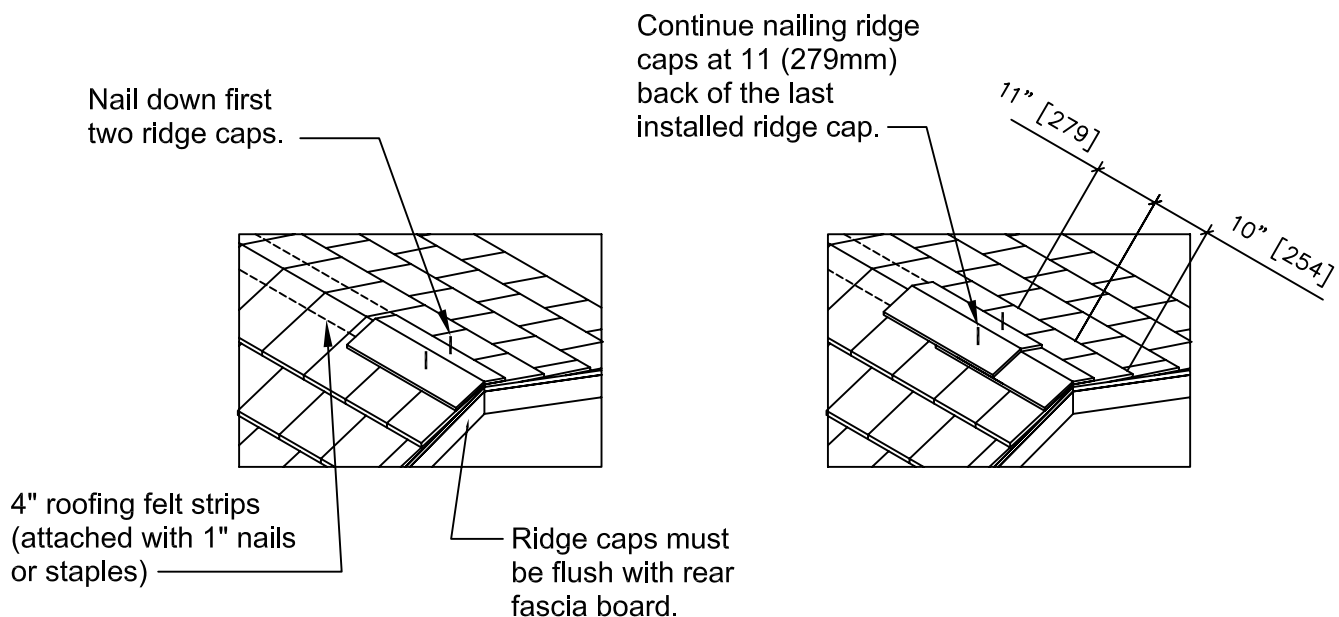


ROOFING FELT

- ▶ Before attaching the roof ridge caps, you need to first place roofing felt over the seam between the shingles of the roof panels. The roll of roofing felt is 1' (305mm) wide. Cut the roofing felt lengthwise into there 4" (102mm) wide strip. Place these strips end to end over the length of the seam between the roof panels, attaching it to shingles with 1" nails.
- ▶ You are now ready to place the ridge cap on the roof of the Cabana.

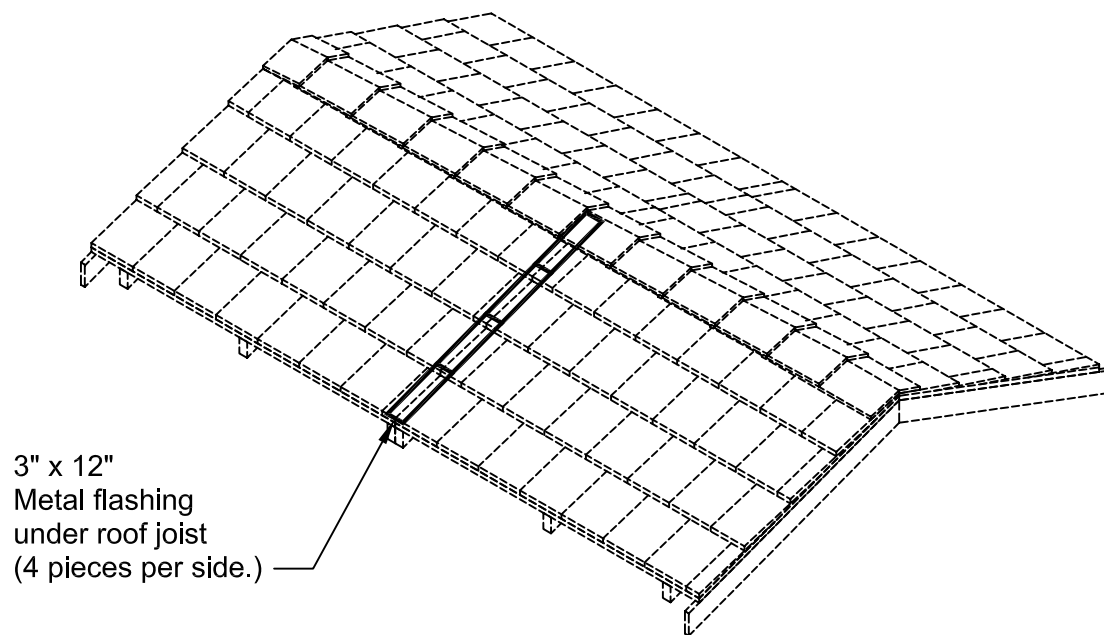
RIDGE CAP

- ▶ The ridge caps are placed over and cover the seam between the shingles of the roof panels. Ridge caps are installed from the rear of the shed proceeding towards the front of the shed. Using 2" roof nails, fasten the first ridge cap to the shingles, as it lies flush with the rear fascia. For the first ridge cap, place 4" nails down from the rear fascia, with one 2" nail on both the left and right sides of the ridge cap into the shingles.
- ▶ Place a second ridge cap over top of the first allowing for a 1/4" (6.4mm) overhang past the outer edge of the fascia board. Using 2" nails affix the ridge cap 11" (279mm) from the butt end of the ridge cap.
- ▶ Continue to install the next ridge cap leaving 10" (254mm) exposed from the butt end. Make sure you keep nailing the ridge caps 11" (279mm) above the butt end. This will insure that the nails used to affix the previous ridge cap will be covered by successive ridge caps.



ROOFING DETAILS

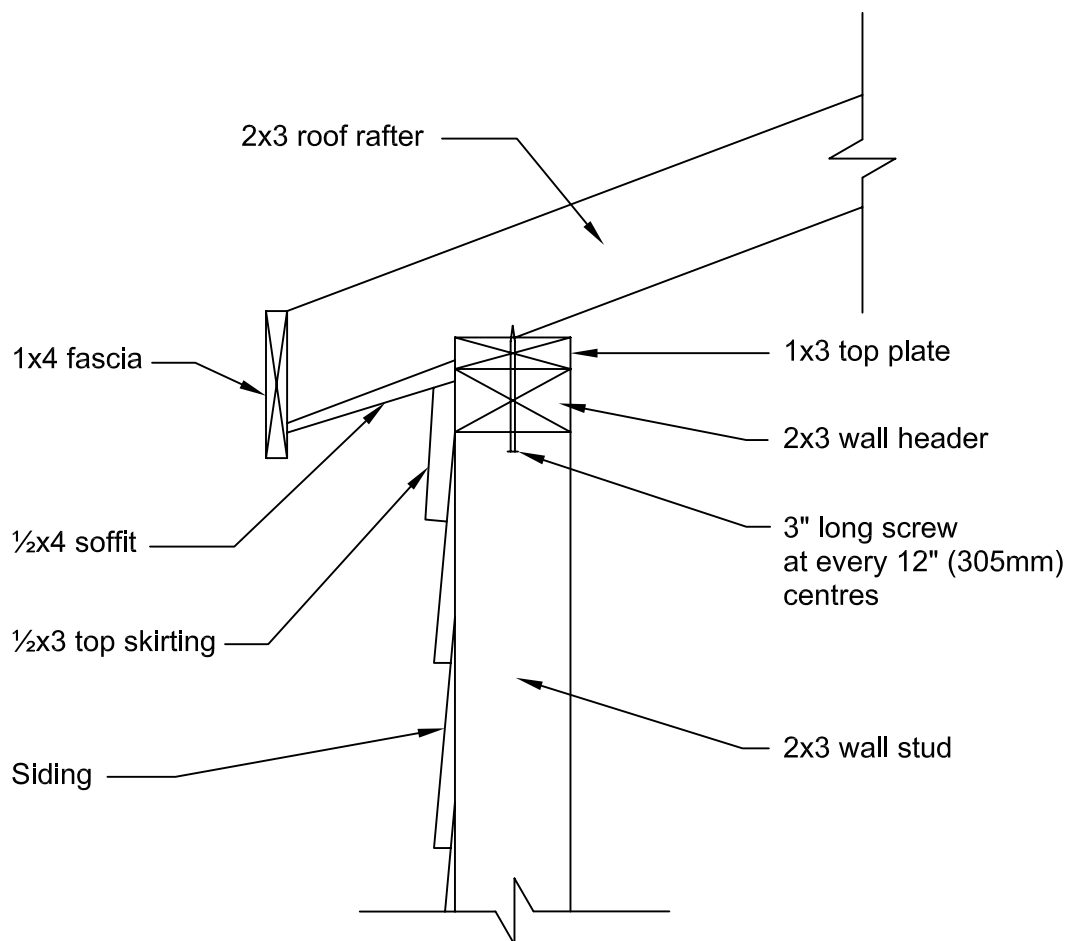
Starting at the bottom of the roof panel, slide one piece of flashing under the shingle until it is completely hidden. Make sure the brown coloured side up facing up when installing the metal flashing. make sure the flashing is centred over the roof seam. Continue until all four pieces per side have been installed. The last piece will reach the roof ridge as shown below.



The following steps briefly show how the fascia, top / bottom skirting, soffit corner boards and trims are attached.

- ▶ 1st attach soffits
- ▶ 2nd attach top skirting
- ▶ 3rd attach corner boards and trims
- ▶ 4th attach fascia
- ▶ 5th attach bottom skirting

(Detailed diagrams on following pages)



5. COMPLETION

1. Attach soffit to the underside of the rafter using 1 ¾" finishing nails [Figure E2]
There are two per sidewall.

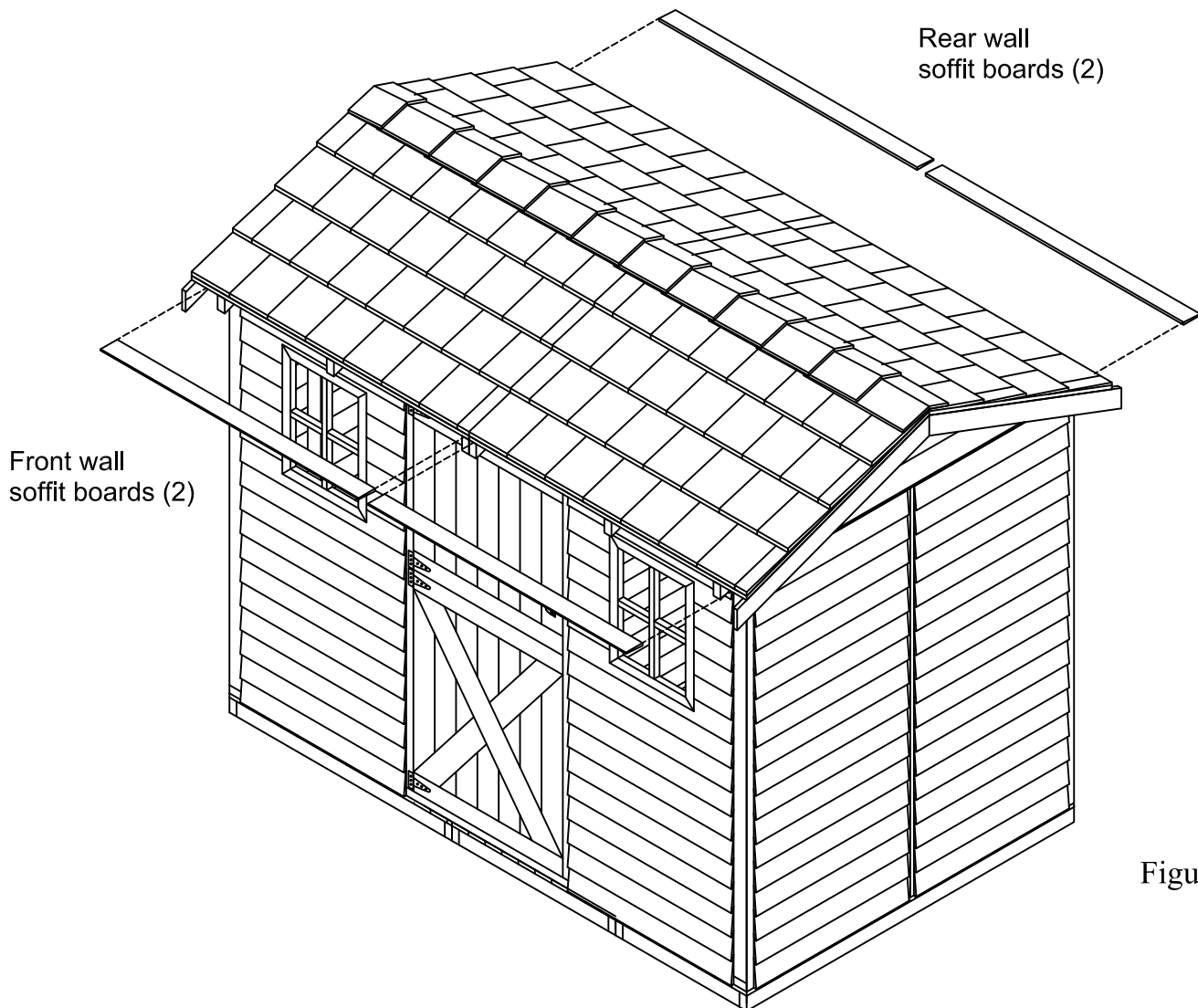


Figure E2

2. Using 1 3/4" finishing nails, complete top skirting assembly as shown in "Figure E3". There should be 9 top skirting pieces. The (1/2x4 1/2" pieces are for the two side sections with only 2 walls each, and the 1/2 x 3" pieces are for the side sections with 3 walls in the back and 1 piece above each window in the front.

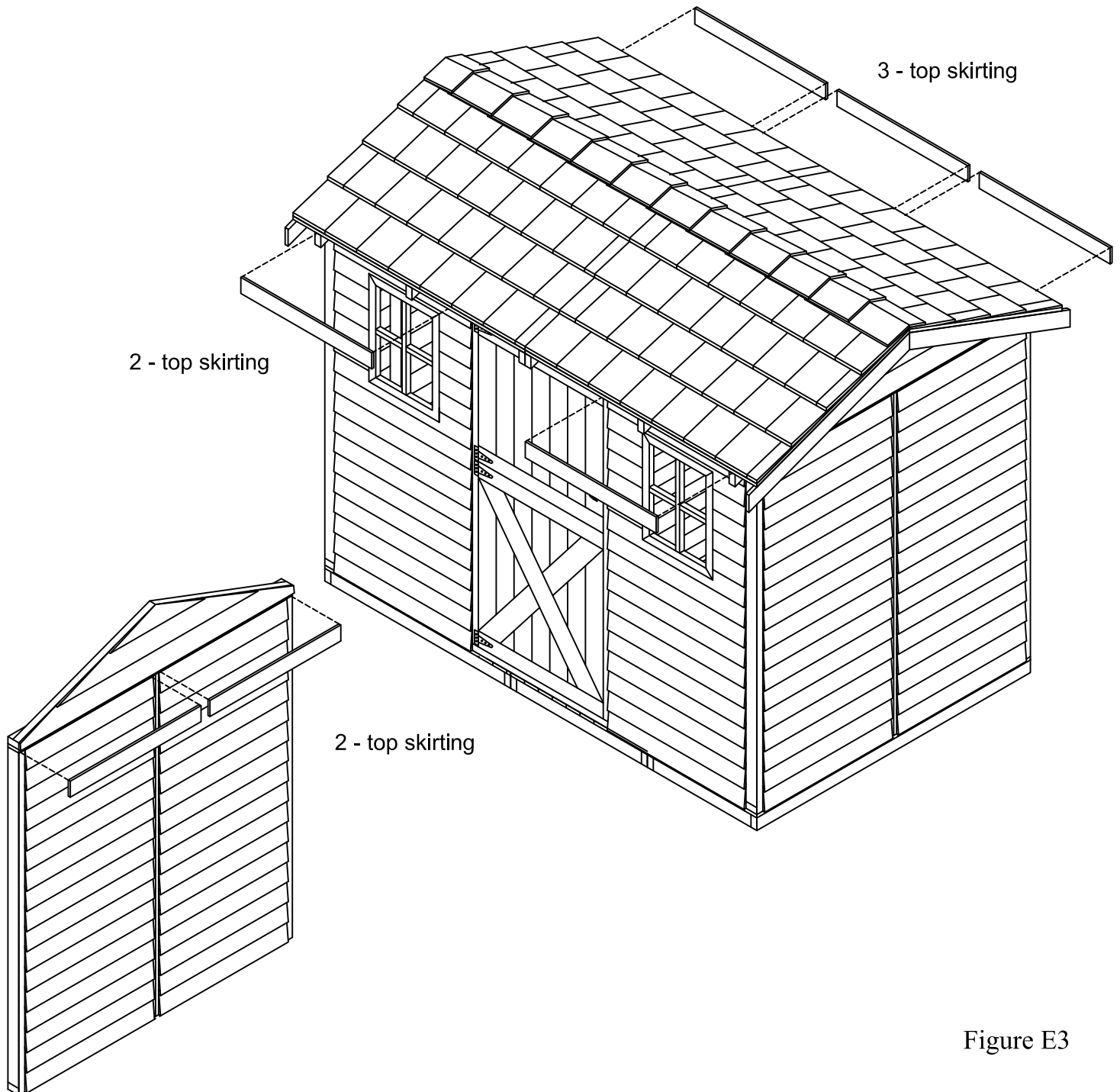


Figure E3

3. Attach all corner, centre and gable wall trim using 1 ¾" finishing nails, as shown in "Figure E4".

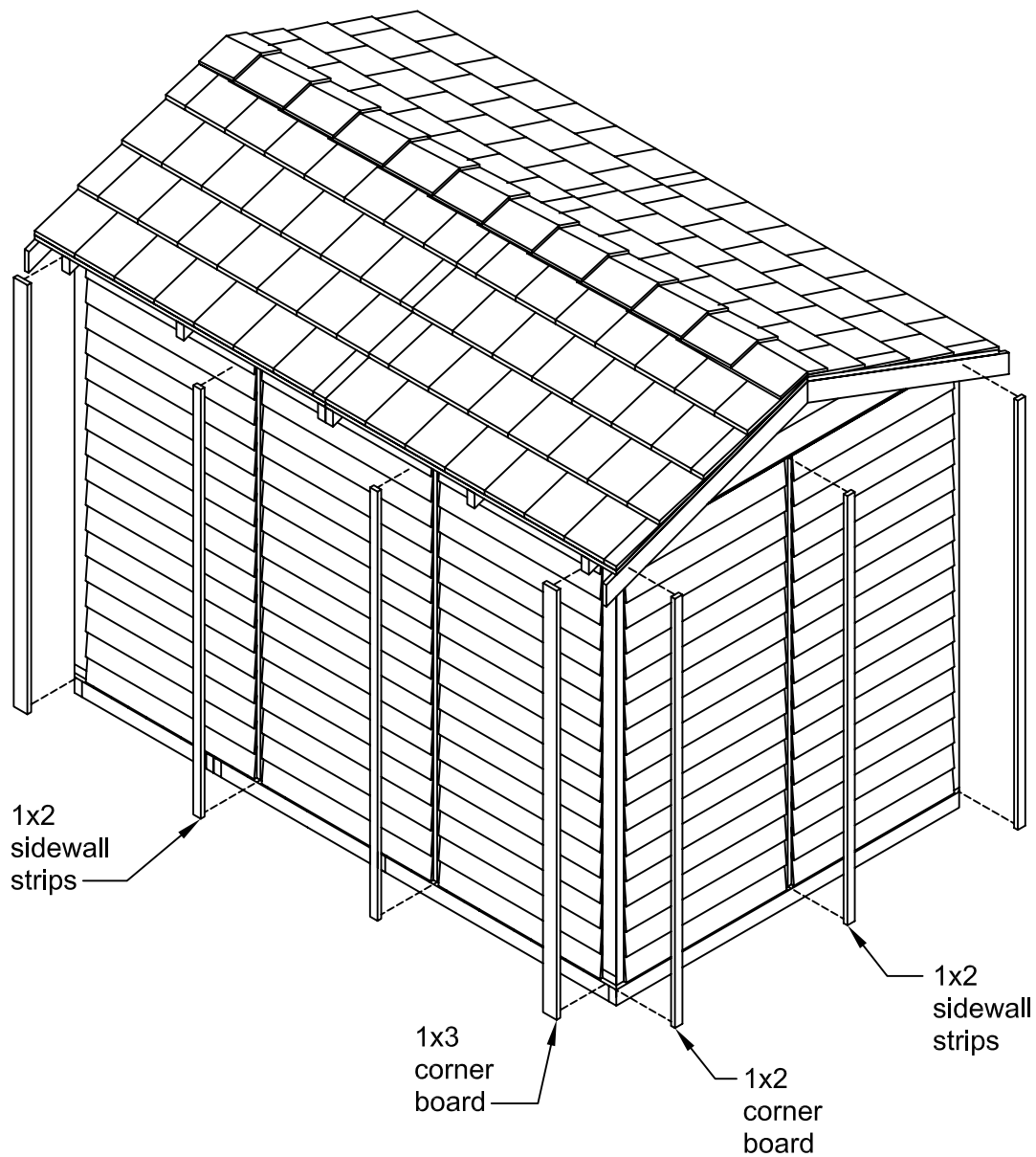


Figure E4

4. Attach the 4 fascia boards (2 per sidewall) using 1 ¾" finishing nails. Nail into the ends of the rafters [see Figure E5]

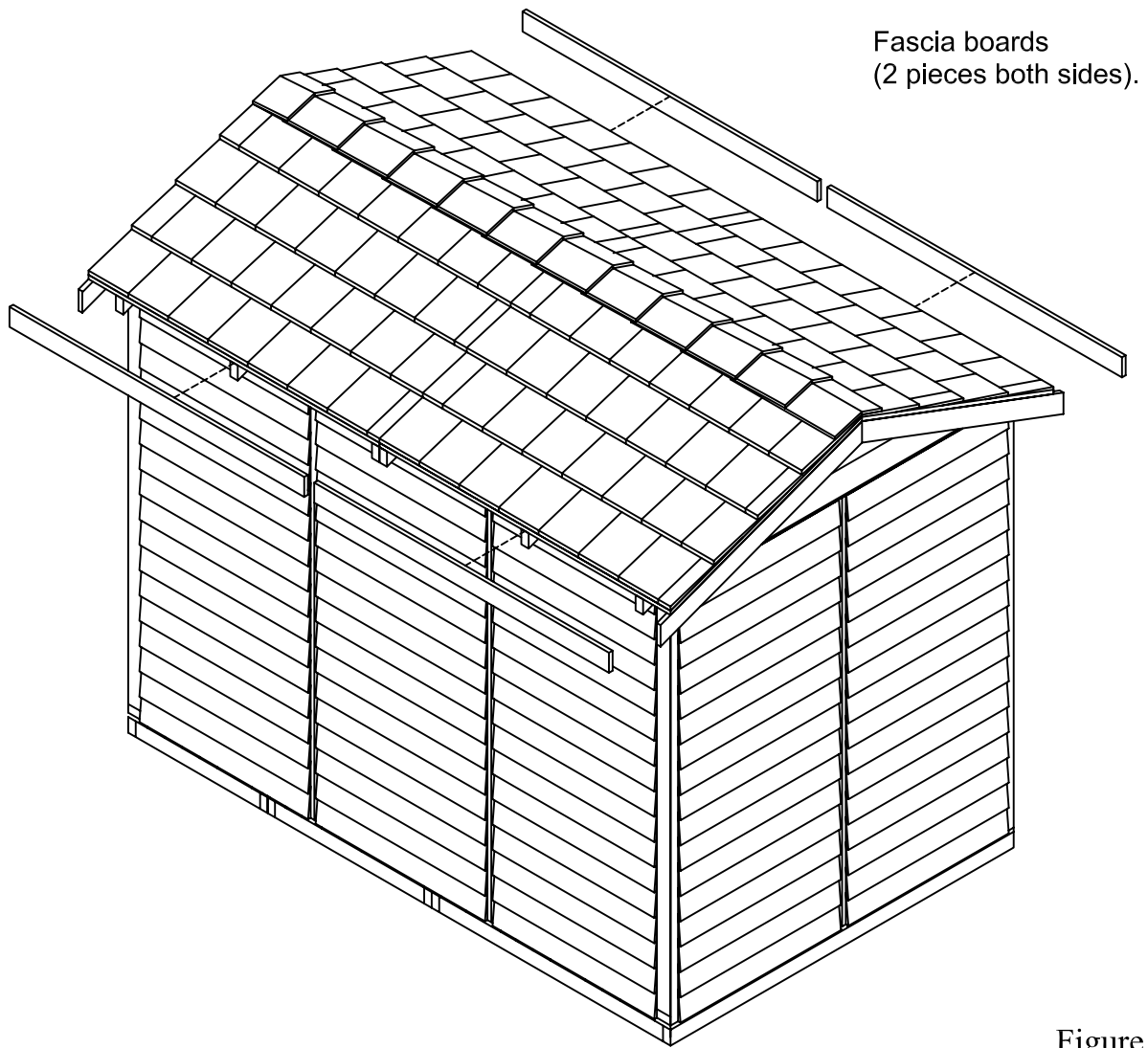
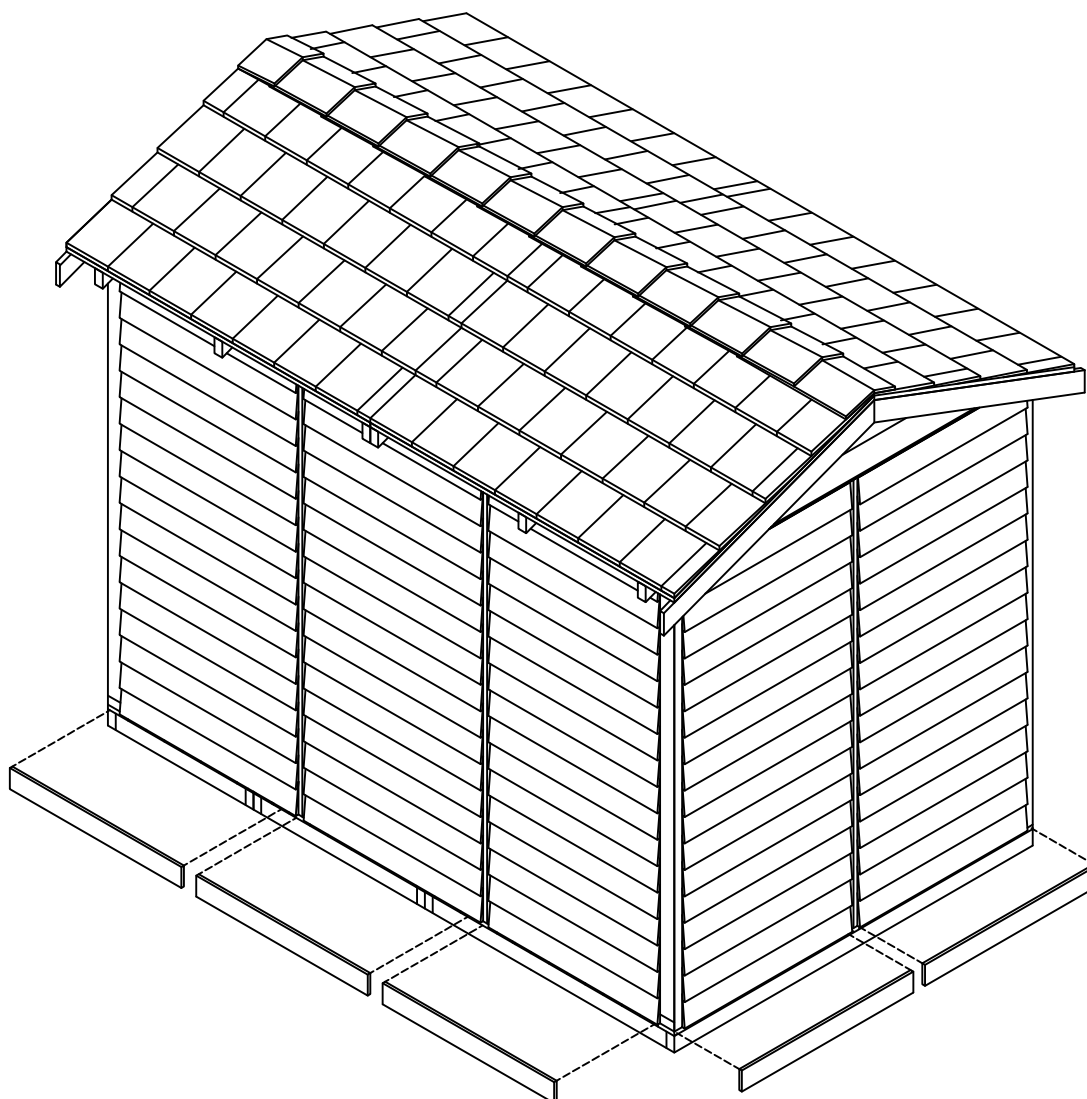


Figure E5

5. Complete the base of the Cabana with the floor bottom skirting. Use 1 ¾" finishing nails to attach 10 pieces of bottom skirting.



6. Attach the shutters with 1 ¾" finishing nails [Figure E6]. you may want to pre-drill the holes to avoid splitting the wood.
7. The planter boxes are fasten with 3" screws to the 2x3 stud member behind the siding.
8. Attach plaque with finishing nails. Pentagon shape plaques are attached one to centre of left / right sides, and the square plaque is attached above the door.

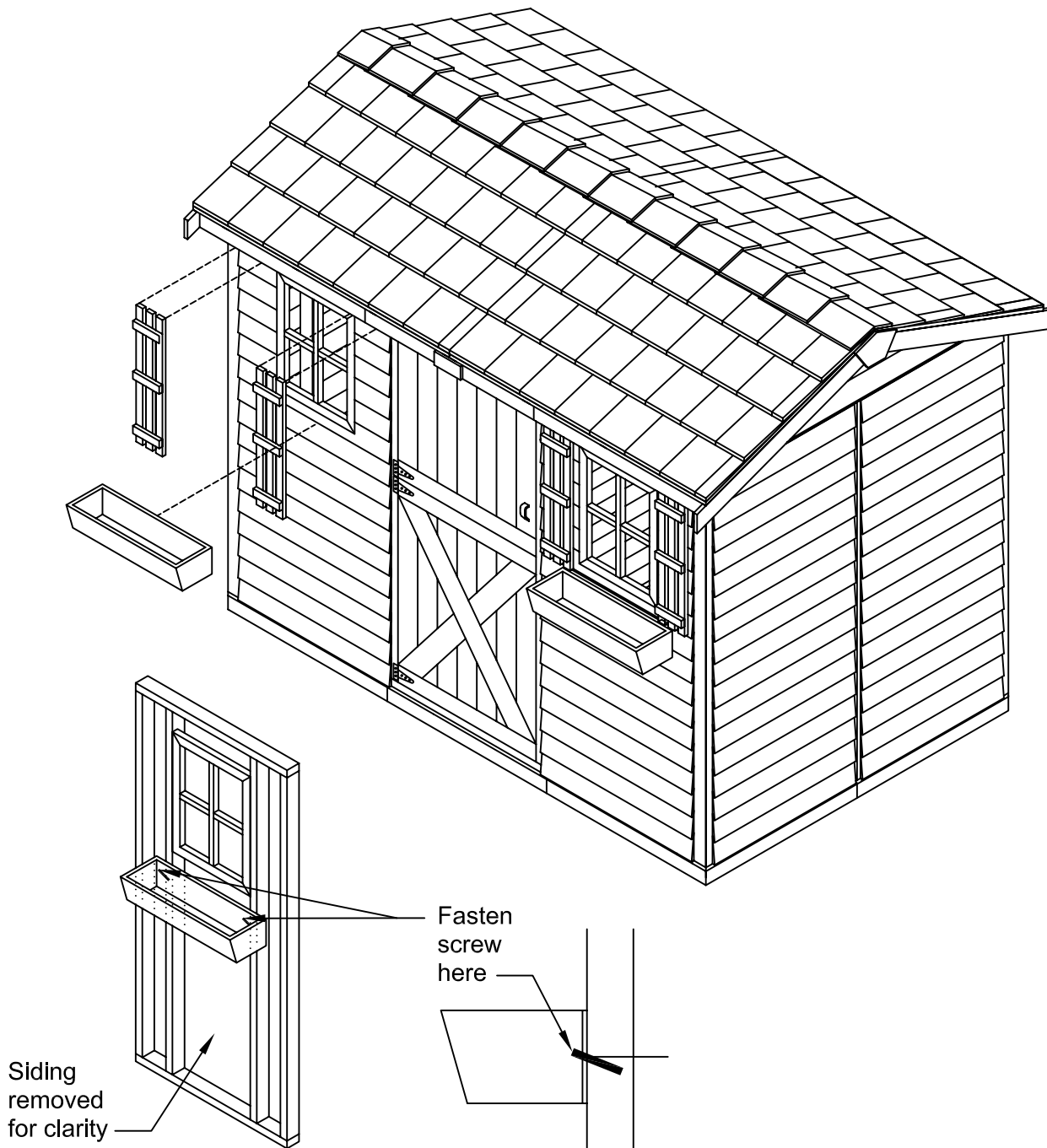


Figure E6

CONGRATULATIONS

You have successfully completed the construction of your Cabana. Thank you for choosing a CEDARSHED product. We hope that your entire experience was a rewarding one and that you and your family will have years of enjoyment with our product.

As mentioned in the questionnaire (included inside the unit packaging along with the checklist of parts), by completing our questionnaire and mailing a picture of your completed Cedershed product, we will send you a personalized plaque free of charge that you can mount on your structure (max. 36 letters). Don't forget to enter our Best Picture Contest. Also see Questionnaire for details.

Please refer to the questionnaire or call Cedarshed if you require additional information.

TOLL FREE CUSTOMER SUPPORT 1-800-830-8033

E-MAIL: sales@cedarshed.com

Visit our website: www.cedarshed.com

MAILING ADDRESS:

In Canada
CEDARSHED INDUSTRIES
9770 - 199A Street
Langley, B.C. V1M 2X7
Canada

In U.S.A.
CEDARSHED INDUSTRIES
P.O. Box 2189
Blaine, WA., 98231
U.S.A.

