

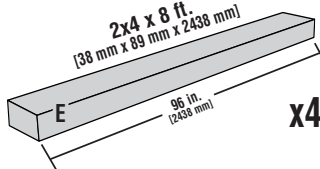
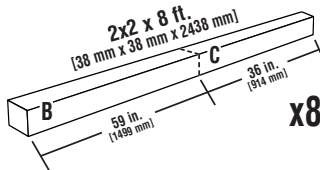
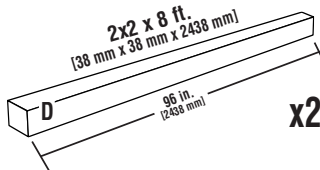
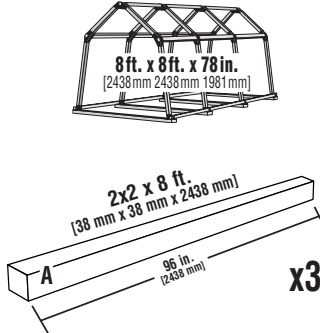
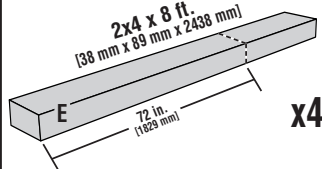
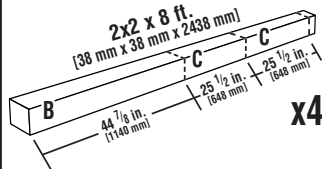
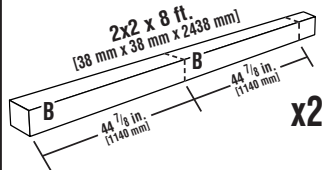
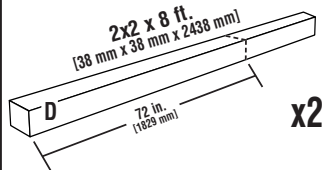
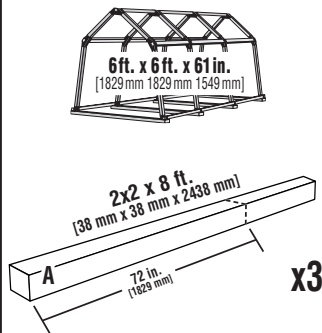
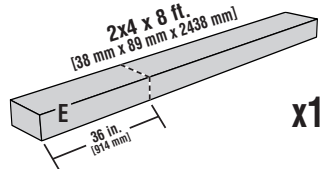
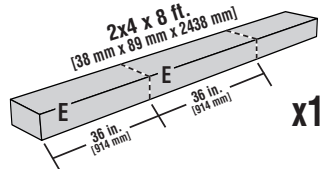
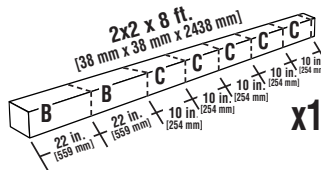
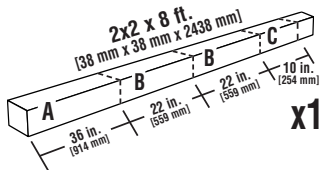
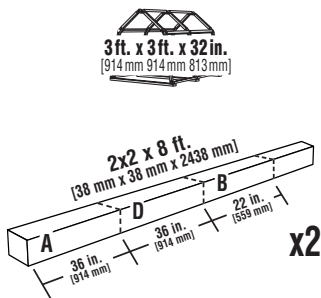
**2 4 basics**  
**EASY-UP ENCLOSURE**



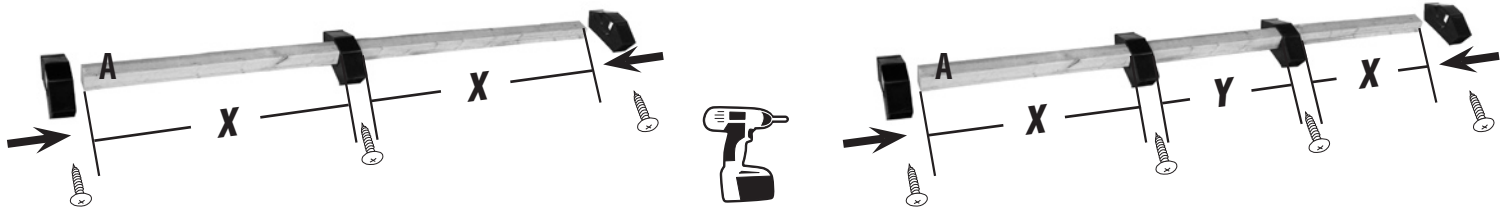
**Purchase These**  
 以下を購入

	2x2 x 8 ft. [38mm x 38mm x 2438mm]	2x4 x 8 ft. [38mm x 89mm x 2438mm]
	x4	x2
	x11	x4
	x13	x4

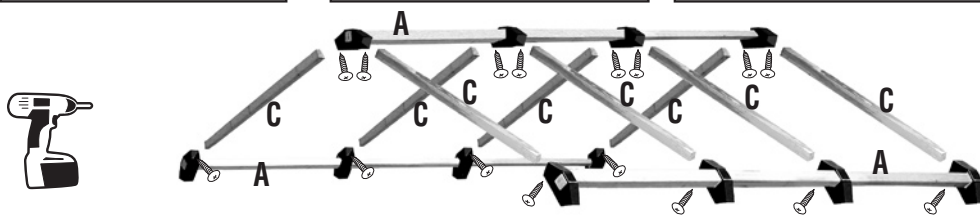
\*Pressure-treated  
 \*加圧注入



**1**

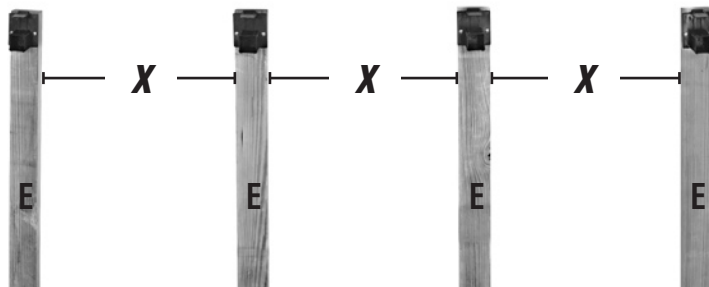
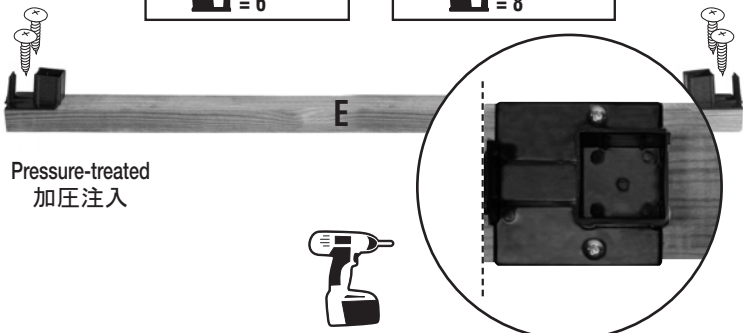


**2**

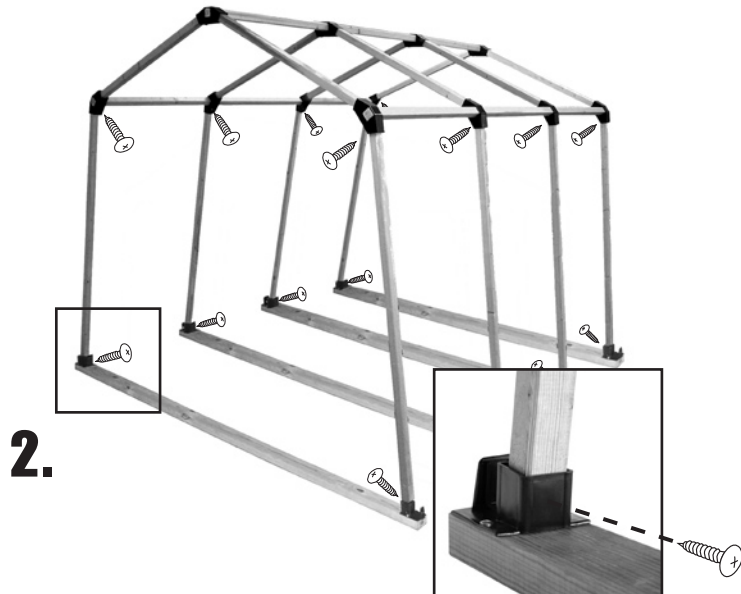
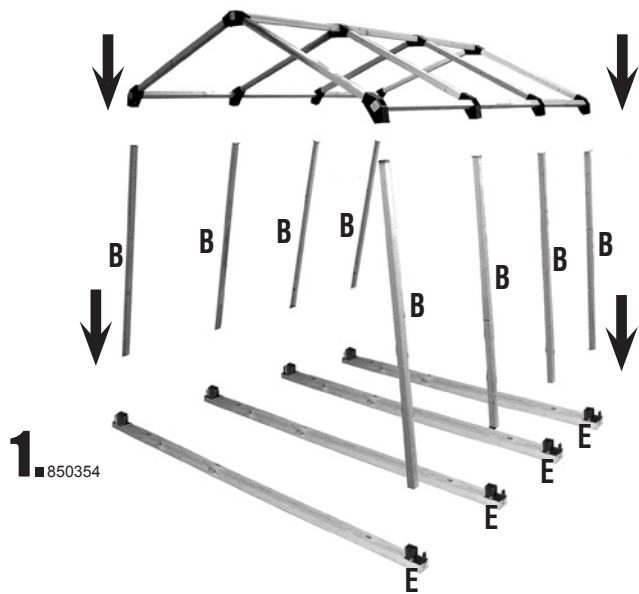
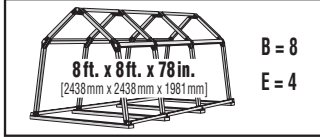
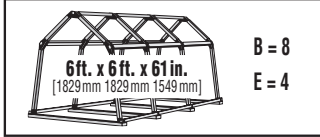
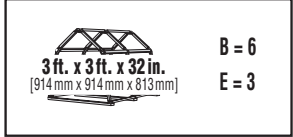


**3**

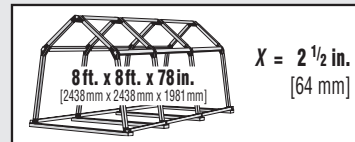
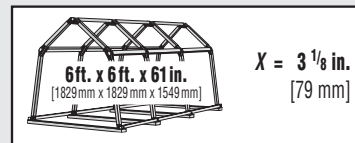
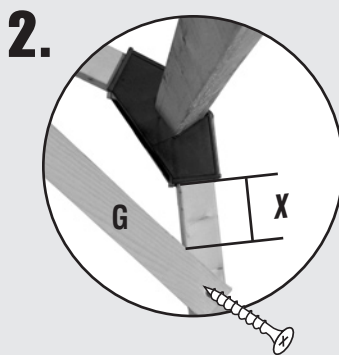
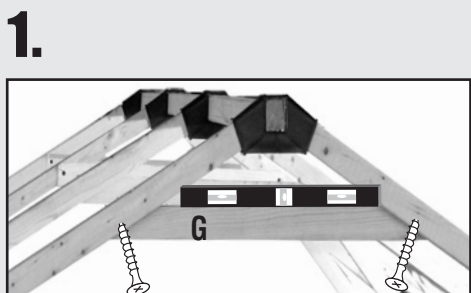
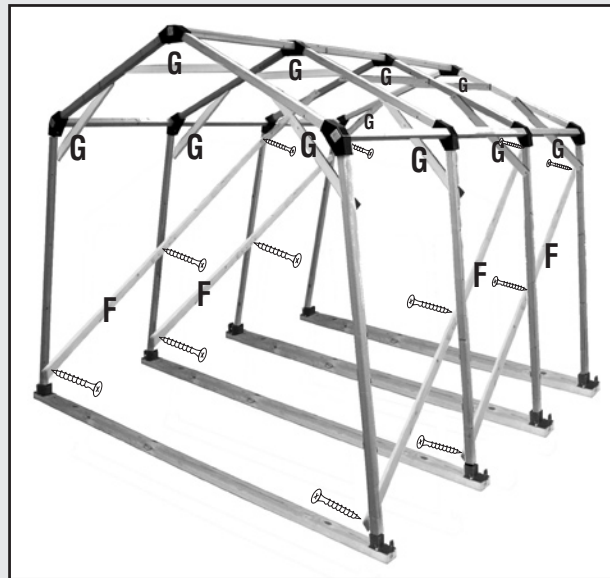
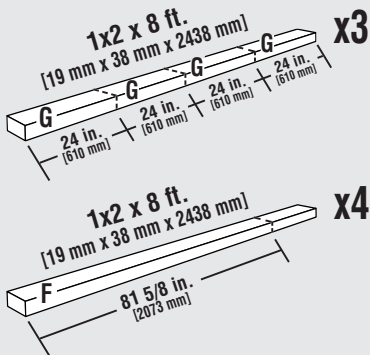
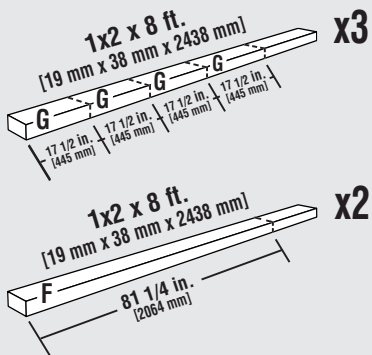
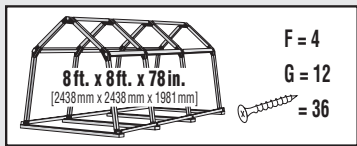
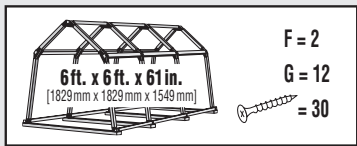
**4**



5



OPTIONAL STRUCTURAL SUPPORT • 任意の構造支柱



6

