

GARDENER'S DELIGHT

PANELIZED GARDEN BUILDING

INSTRUCTIONAL MANUAL

Cedarshed Industries (1992) Inc.
9770 - 199 A Street
Langley, B.C. V1M 2X7
Canada



GARDENER'S DELIGHT

A FEW WORDS ABOUT THE CARE AND COSMETICS OF YOUR GARDENER'S DELIGHT

Your Cedarshed Gardener's Delight is made of Western Red Cedar lumber, a beautiful and durable outdoor wood that will enhance your leisure space and your property, and provide years of enjoyable use.

Natural, unfinished Western Red Cedar, when exposed to the elements, will weather to a beautiful silvery grey. If you prefer to maintain the natural tones of Western Red Cedar, please ask your Authorized Cedarshed Dealer to recommend a quality stain, which is best applied after assembly.

You may also notice occasional coloured chalk or crayon markings on parts of the wood. These markings can be removed with a damp cloth or a very fine sandpaper.

When we package your Gardener's Delight for shipping, it is wrapped in an environmentally friendly paper product, and held in place by staples. Be sure that all the staples are removed – a pair of pliers may be necessary.

NOTE:

Assembly of the Gardener's Delight will require the use of power tools and certain applications will require a ladder. Please take precautions at all times.

The customer agrees to hold Cedarshed Industries (1992) Inc. (Cedarshed) and any of our Authorized Dealers free of liability due to improper installation, maintenance and repair of any Cedarshed products.

Obtaining necessary municipal/county/state (whichever necessary) permits is the sole responsibility of the purchaser.

Please see our website at www.cedarshed.com for additional safety points and other considerations to promote safe and enjoyable usage of your new Gardener's Delight for many years to come.

GARDENER'S DELIGHT PARTS LIST

Floor	1	- 27 5/8" x 69" Panel
	1	- 46 1/2" x 69" Panel
	1	- 34 1/2" x 69" Panel
	2	- 69" - 2x3 - Rim Joist
Walls	5	- Wall panels (no window)
	2	- Wall panels (with window)
	5	- 2x3 - Top headers
	2	- Handrail panels
Door	1	- Door panel
Door Framing	1	- Door Frame
Door Trim/Track	1	- 2x2 - Track assembly (with track)
	1	- 1x3 - Track fascia board
	2	- 1x4 - Spacer boards
	1	- 1x2 - Door stop
	1	- 1x3 - Top door trim (angle cut)
	1	- 5/8" x 5/8" - Door guide
Roof	4	- Panels
Gable End Panels	2	- Gables
Top Plates	4	- 1x3 - Pieces
Bottom Skirting	6	- 1/2 x 3 - Side/Back Skirting
	3	- 1x4 - Porch Skirting (2 side/1 front)
Top Skirting	4	- 1/2 x 3 - Side skirting
	2	- 1/2 x 4 1/2" - Back skirting
Soffit	4	- 1/2 x 4" - (2 long/ 2 short)
Fascia	4	- 1x4 - Pieces
Gusset	3	- 2x3 - Pieces
	2	- 2x2 - Pieces
Finishing Trims	3	- 1x2 - Pieces
Corner Boards	4	- 1x4 - Wide pieces
	2	- 1x2 - Narrow pieces
	1	- 1x2 - Left corner trim
Hardware	1- Bundle	- Ridge cap
	1- Bag	- 3" Screws
	1- Bag	- 2" Screws
	1- Bag	- 1 3/4" Finishing Nails for trims
	1- Bag	- 2" Nails for ridge caps
	1- Bag	- 1" Nails for roofing felt
	1- Roll	- Roofing felt
	1	- Hasp
1	- Door handle	
8	- Metal roof flashing	

UNPACKING

To Confirm you have received all parts, sort pieces according to usage. Call or e-mail us immediately if you are missing any parts and we will courier any part(s) within seven (7) days, free of charge.

Toll Free Customer Support Line: 1 800 830 8033

Email: Sales@cedarshed.com

PRE-ASSEMBLED COMPONENTS

Your Gardener's Delight has been shipped from the factory in pre-assembled panels to assist you in ease of construction.

TOOLS REQUIRED

- 6' Step Ladder
- Hammer(s)
- Electric power drill(s) or cordless drill(s) [with extra batteries] and appropriate screw head bit
- Carpenter's level
- Measuring Tape
- 1/8" Drill Bit
- Garden shovel [for site work]

A. SITE SELECTION

Be sure to allow for a 12" (31cm) roof overhang on all sides of your Gardener's Delight. The overhang is included in the table figures below.

It is important that you site surface is flat and stable.

The following list shows the area required for your Gardener's Delight:

Size of Gardener's Delight – 6' x 9'

Area Required – 7.2' x 10.5'

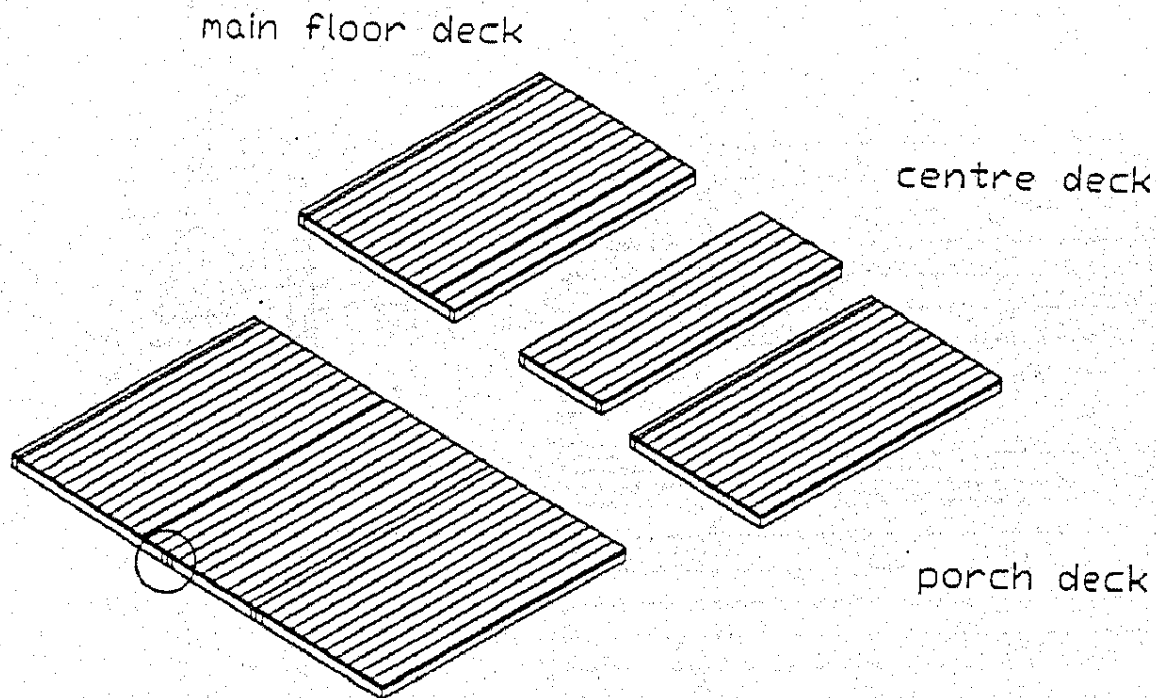
Vertical Clearance – 9'

Take some time now to plan the orientation and sitting of your building to suit your particular site requirements.

B. FLOOR ASSEMBLY

The main floor comes in three pre-assembled sections: a main floor, a center and a porch deck. The porch end of the Gardener's Delight will be the front.

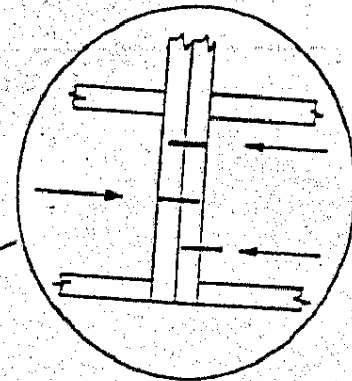
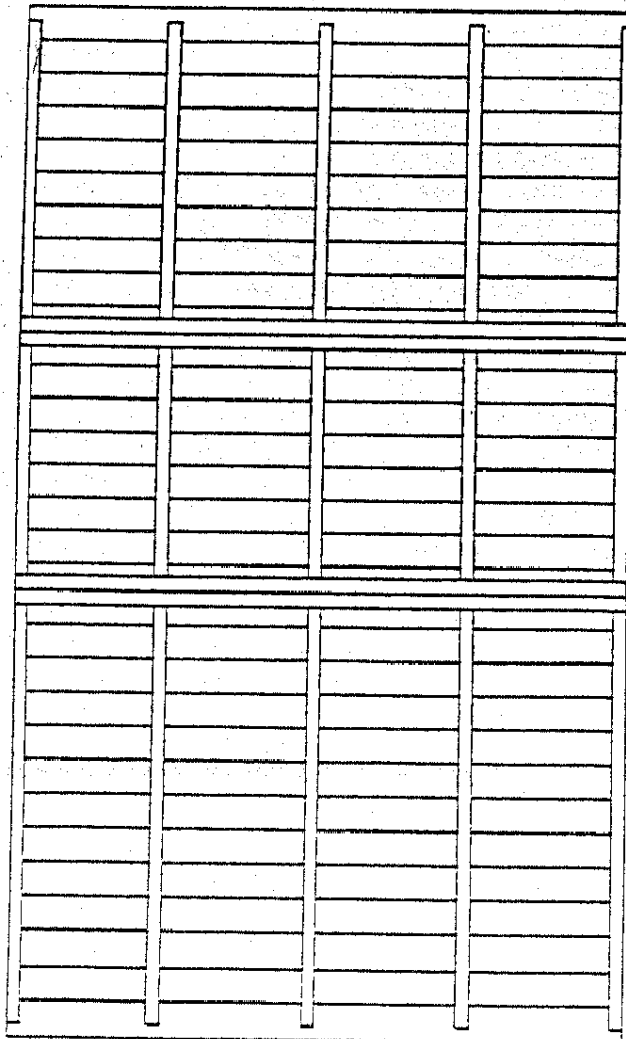
1. Un-package the floor sections and place them on level ground with the decking facing up as shown below.



2. Flip all three sections so the decking is face down.
3. Attach floor rim joist using 3" screws to open ends of flooring.
4. Using 3" screws every 12 inches fasten the floor sections together along the length of each section. Alternate the screws as shown below. This will strengthen Gardener's Delight base.
5. Now that the floor sections are screwed together, use the help of an assistant and flip the floor over so that the decking is back on top.

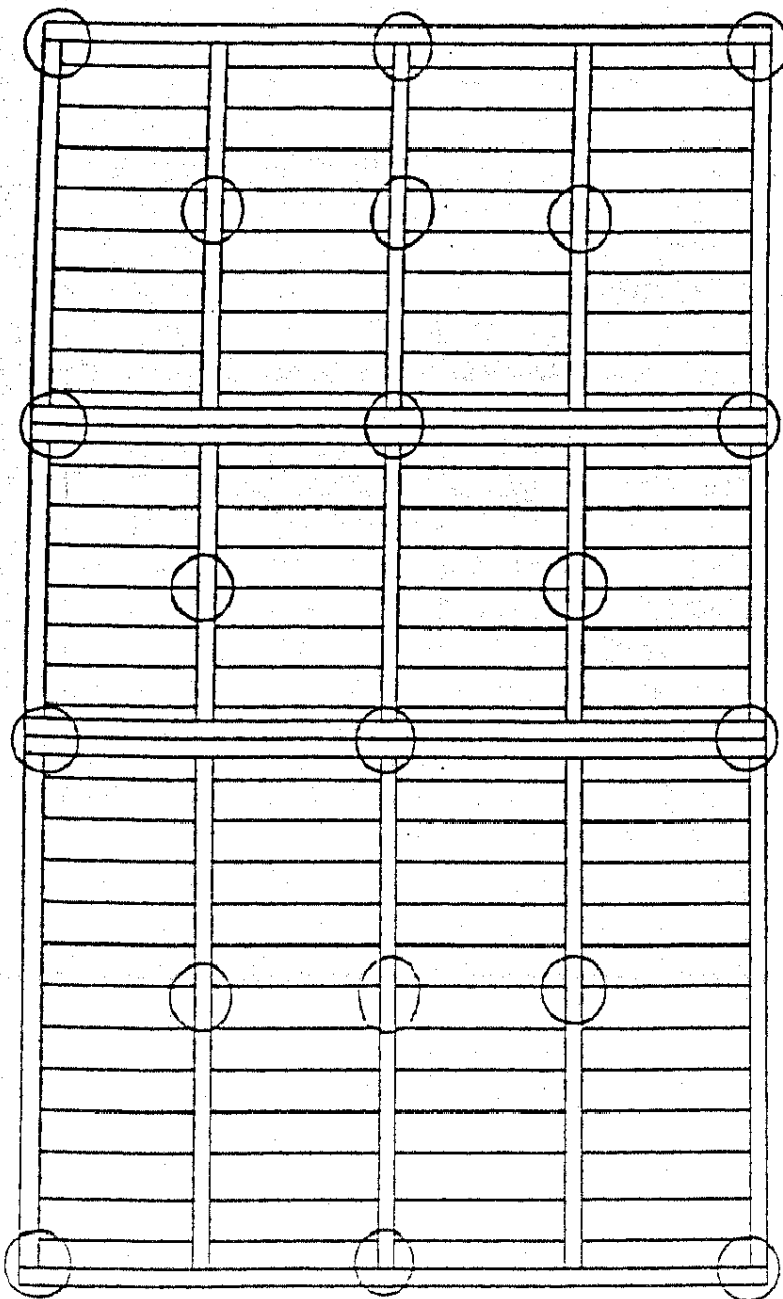


2 x 3 joist attached
to open end of deck
(both sides)



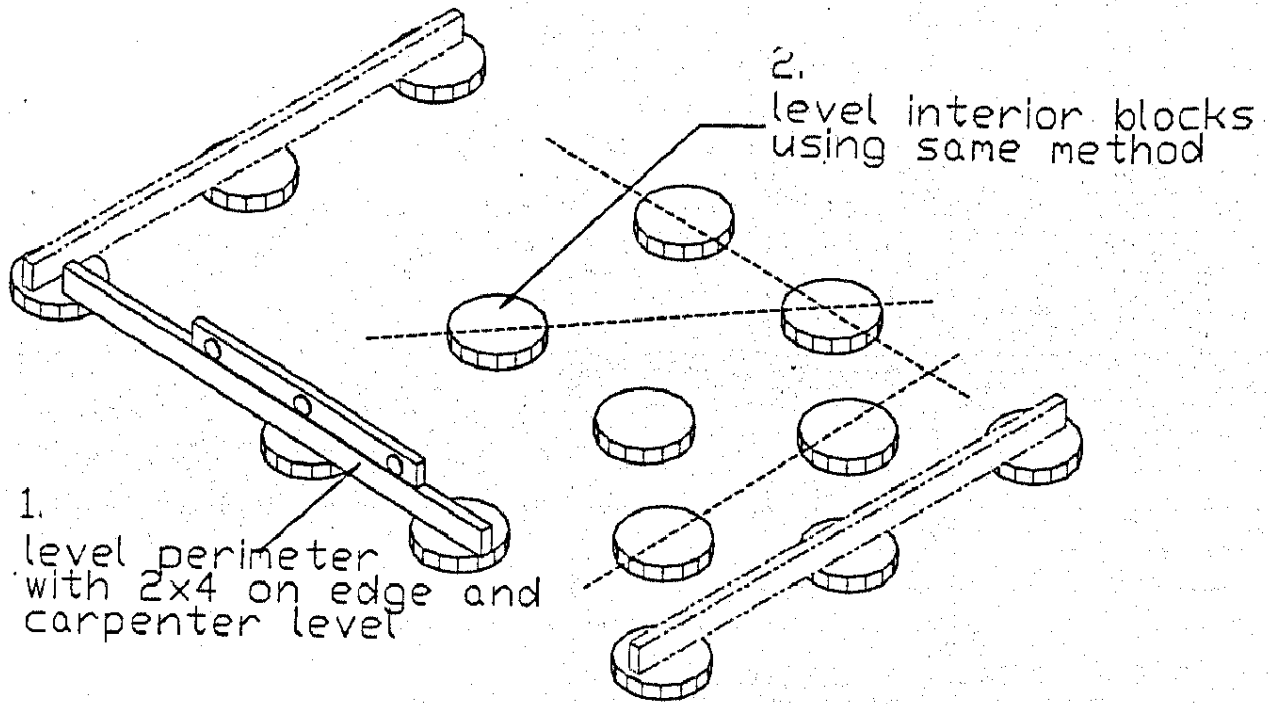
FLOOR LEVELING

1. At this point in the construction you will be required to level your site. It is extremely important that the floor assembly be absolutely level. If it is not, you will encounter difficulty later when trying to align the wall panels with each other and the roof system.
2. Place your patio stones on the ground, positioning them so that they do not protrude more than a couple of inches outside the building envelope (see figure below). Use as many stones as necessary to remove any deflection (or bounce) in the floor. Generally, place blocks under the main joist connections to reduce deflection.

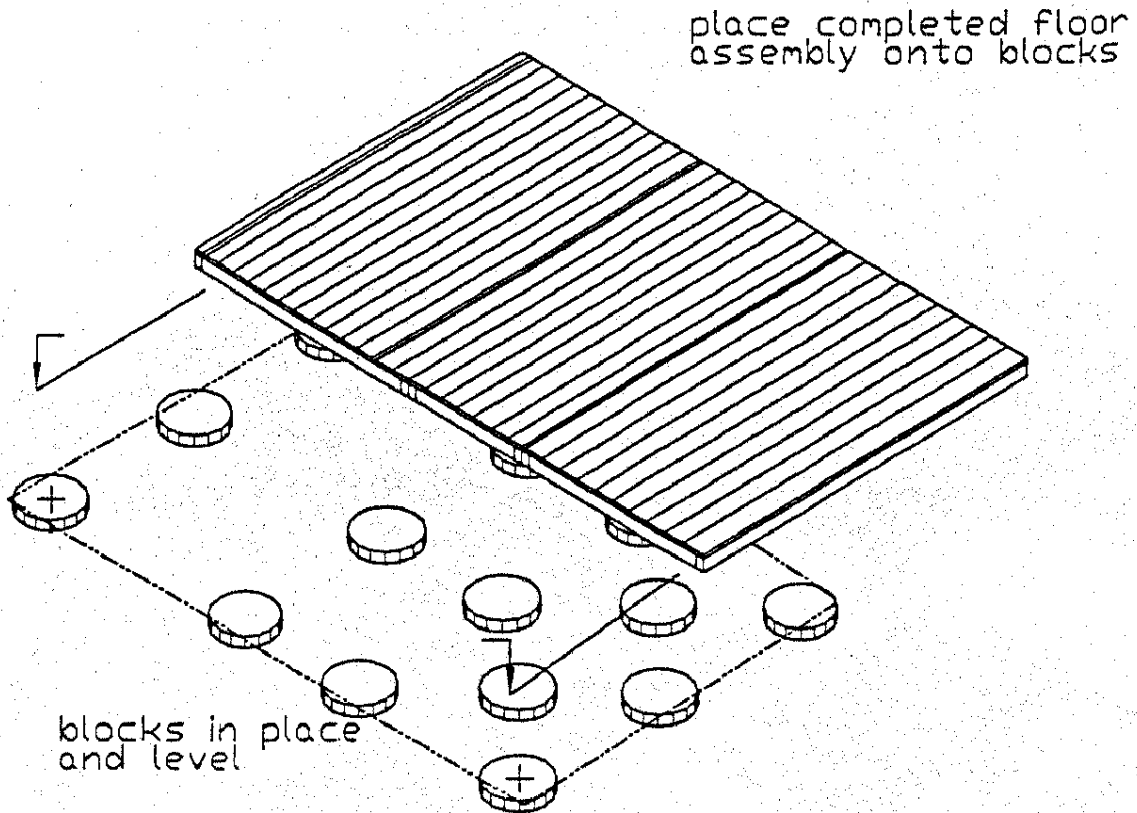


suggested stone placement
for floor stabilization

3. Use a 2x3 or 2x4 straight piece of lumber on edge and a carpenter's level to level the perimeter patio stones. Add or remove soil under each stone until it is flush with the bottom of the 2x4 as shown below. Continue this procedure with the interior patio stones until you are satisfied all the stones are level with each other.



4. With a helper, lift the completed floor unit onto the patio stones as shown below. Place the level at various points on the deck and check to ensure it is level. Walk on the deck and check for excessive bounce or rocking. Adjust soil and stones required. When you are satisfied with the position of the floor unit, you are ready to proceed to the wall assembly.

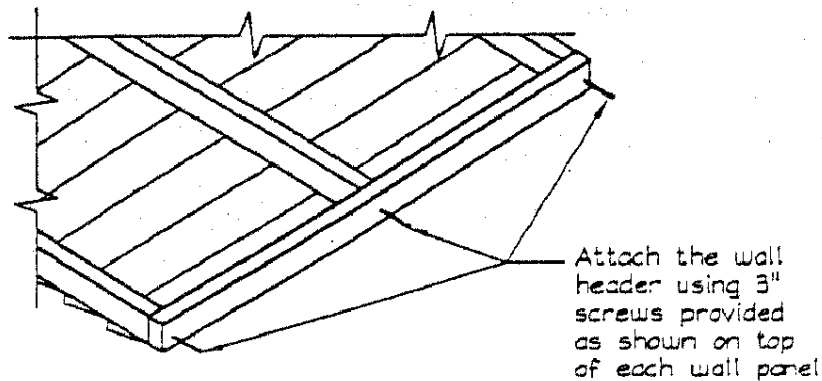
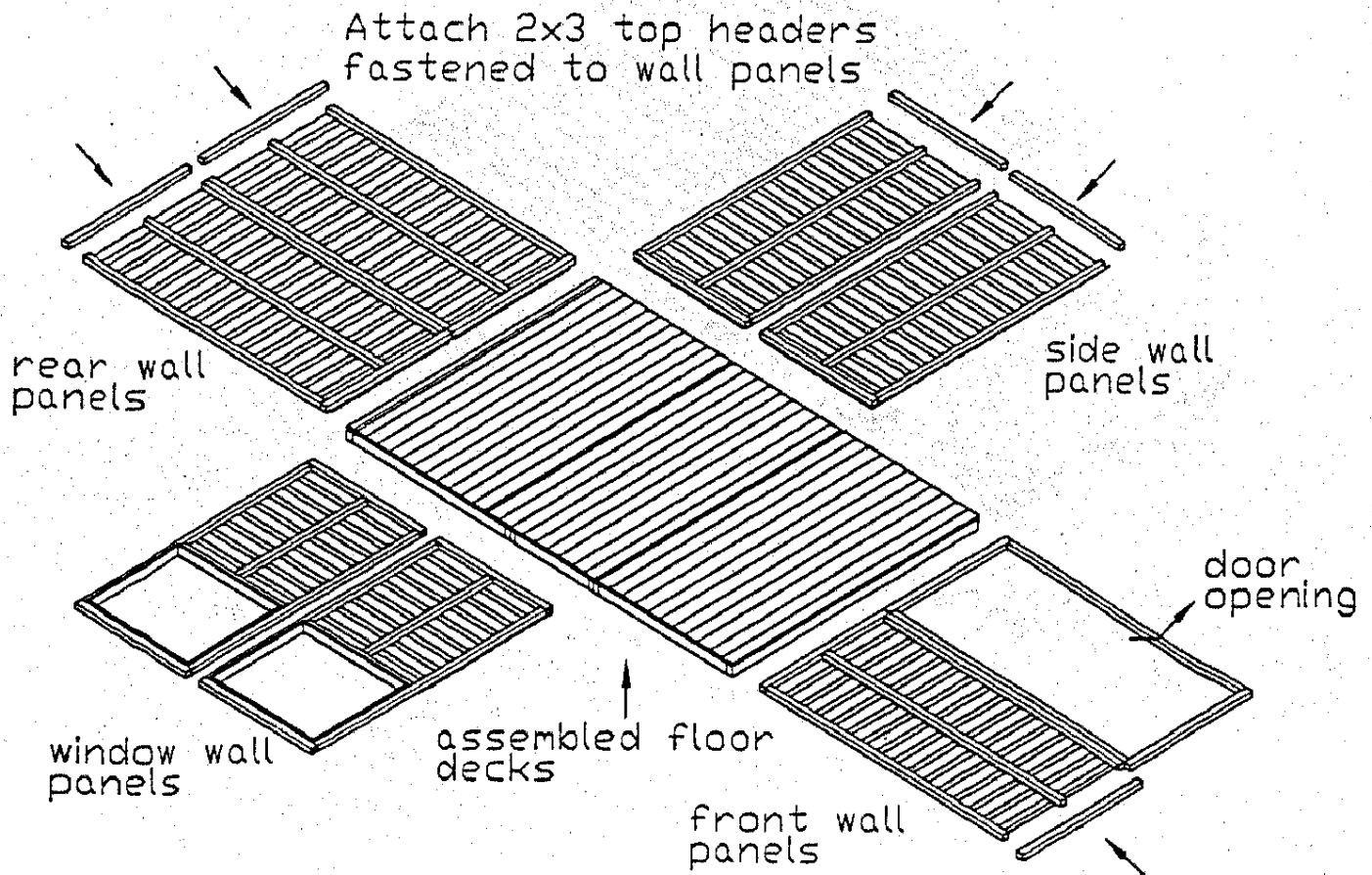


C. WALL ASSEMBLY

The wall assembly comes in eight pre-assembled panels. Five of these panels are solid, two are window panels and one is the door panel (as shown below).

The window wall and sidewall panels are interchangeable (so you have the option of where to place the window wall panels). Make certain the panels are in the exact place that you want them before you begin fastening them together.

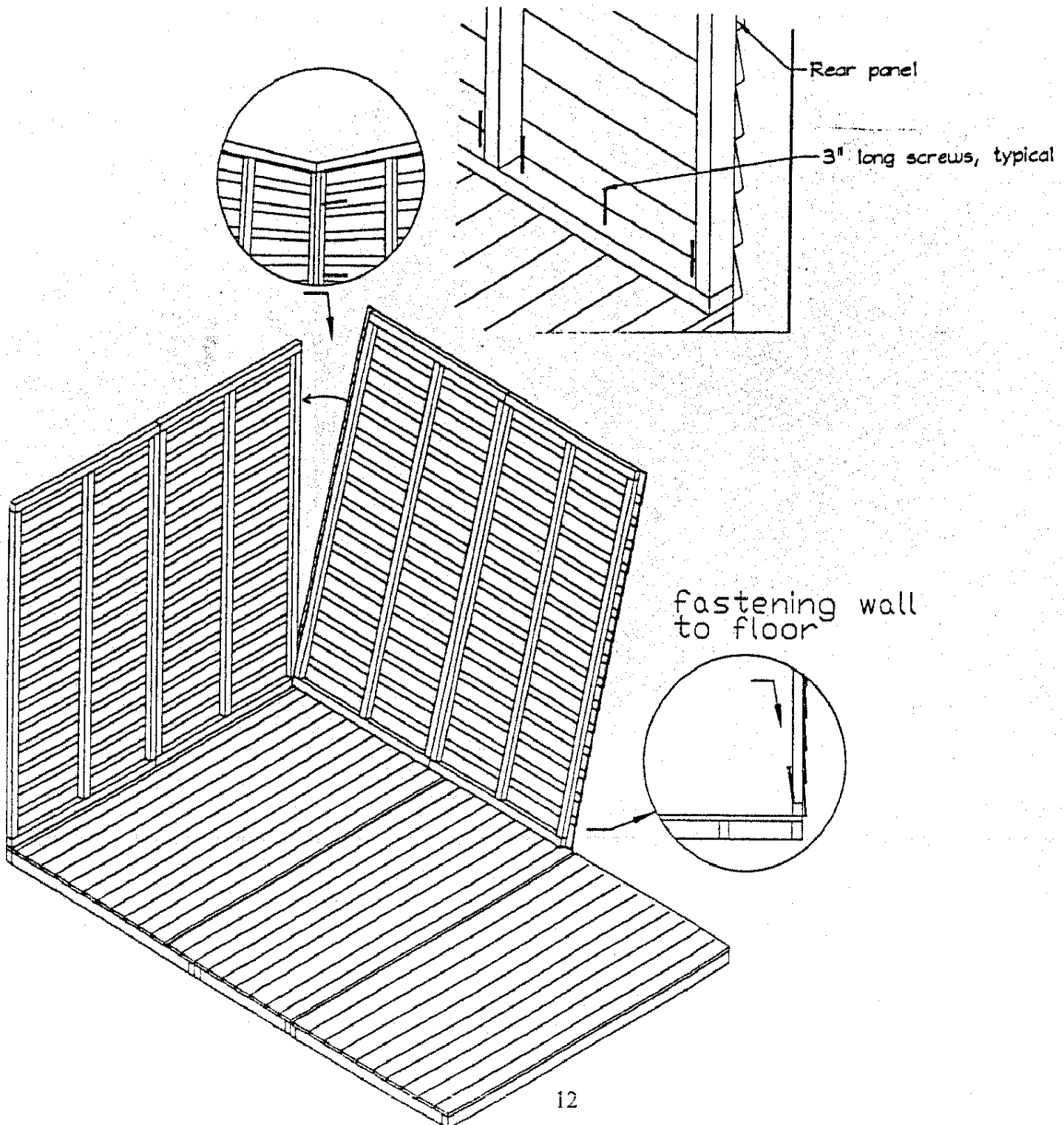
1. Lay all the panels around the floor deck, as shown below. You will be required to attach a 2x3 header to the top of all wall panels, except the panels containing a window. Use 3" screws to fasten.



2. The wall panels must be identified and attached together to form each of the building faces. You will do this by laying the wall panels around the floor deck as shown below.

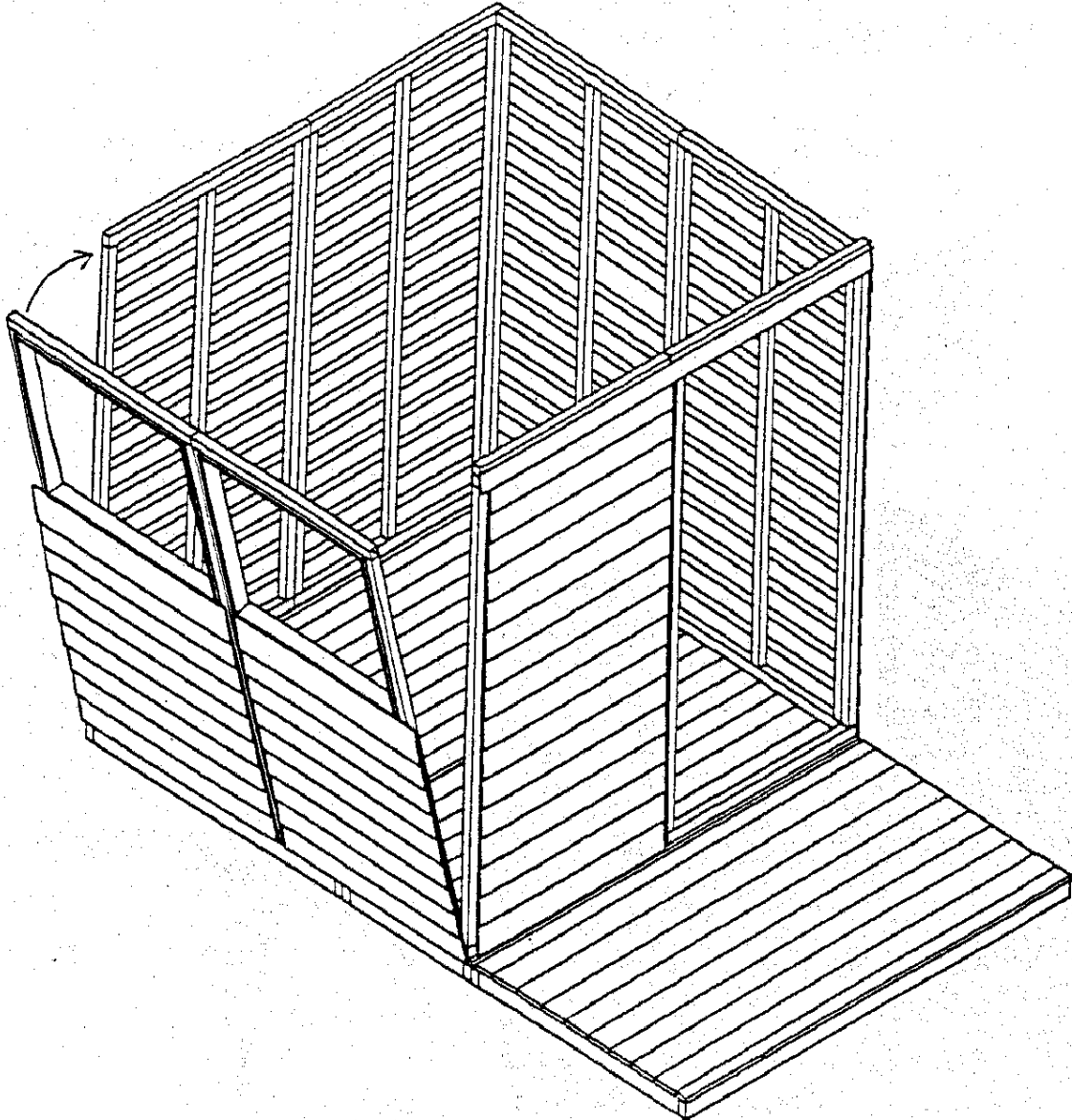
3. Identify the rear and front completed walls.

4. Now, attach the sidewall to the rear wall. The sidewall 2x3 should meet the rear wall in a butt joint, as shown in the figure below. The sidewall should be flush with the floor. Fasten 3" screws every 12 inches.

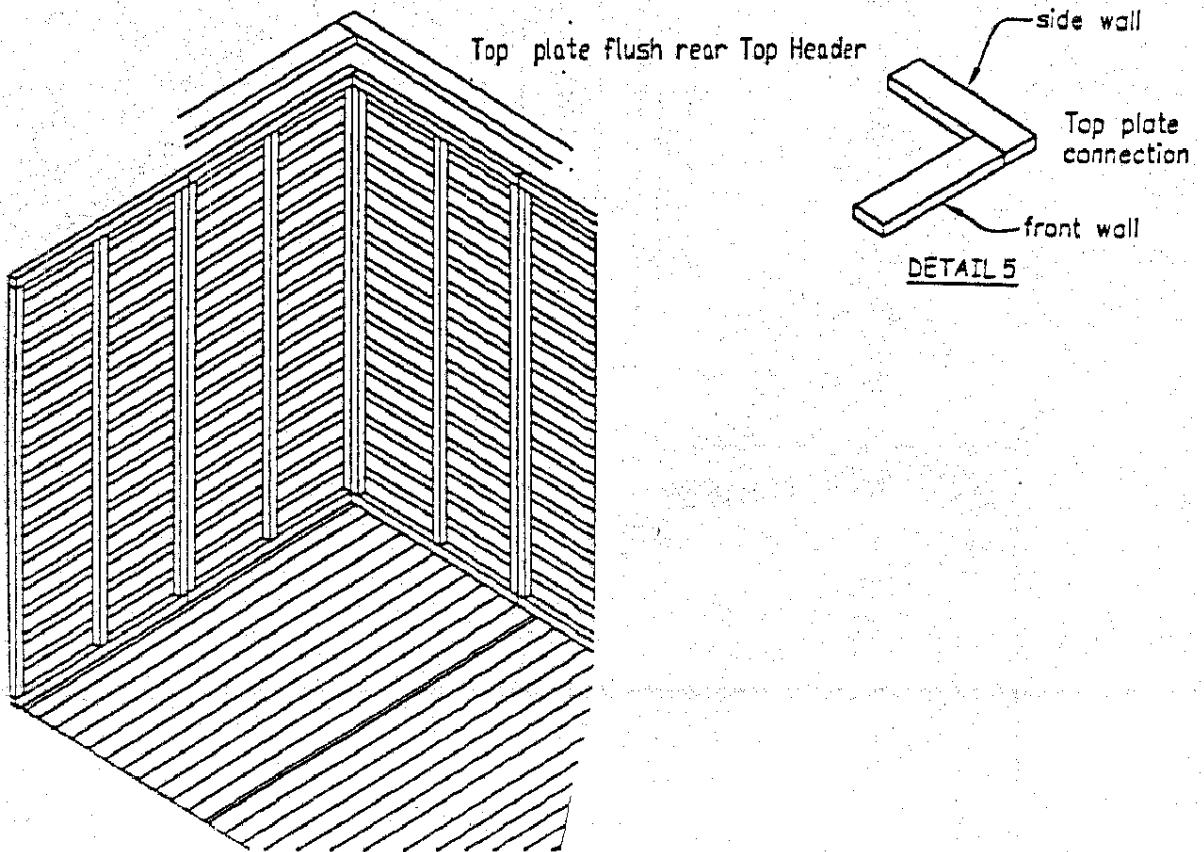


5. Continue as shown below until all walls are erected. The rear panel and side panel 2x3 should be flush with the edge of the floor.

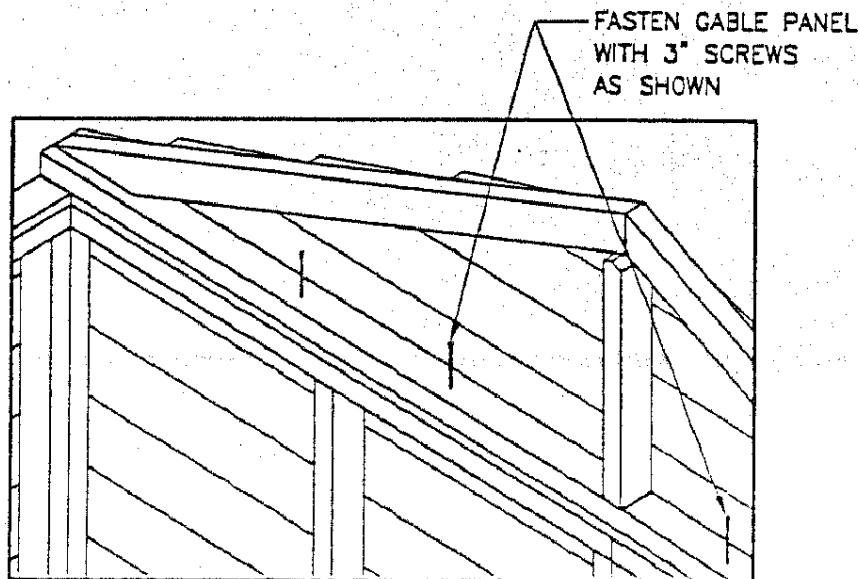
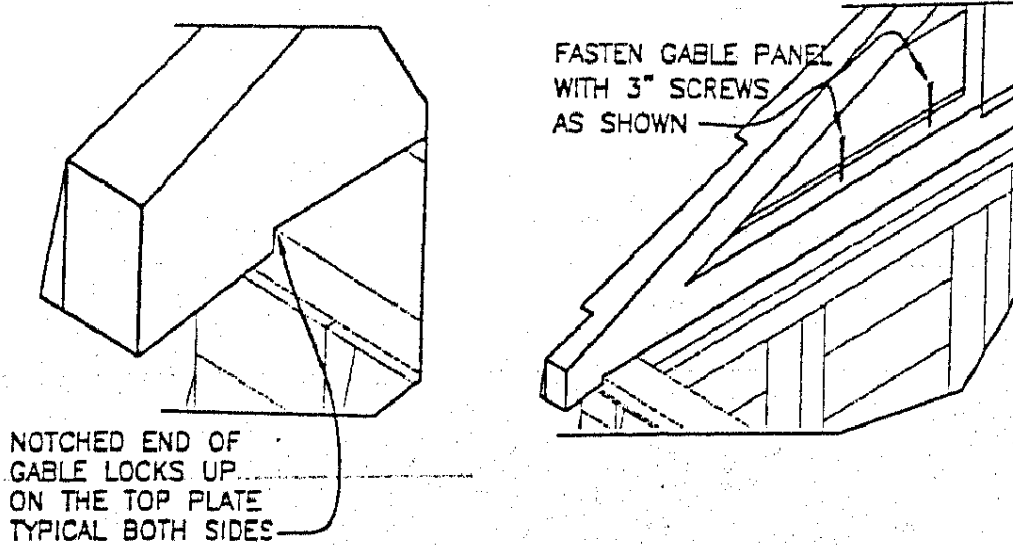
(At this time, install door framing using 3" screws. Fix door frame 2x3 stud flush with side wall 2x3 studs).



6. Starting with the sidewall, mount the 1x3 top wall plates to the header of each wall panel, as shown below, using 2" screws every 12 inches.



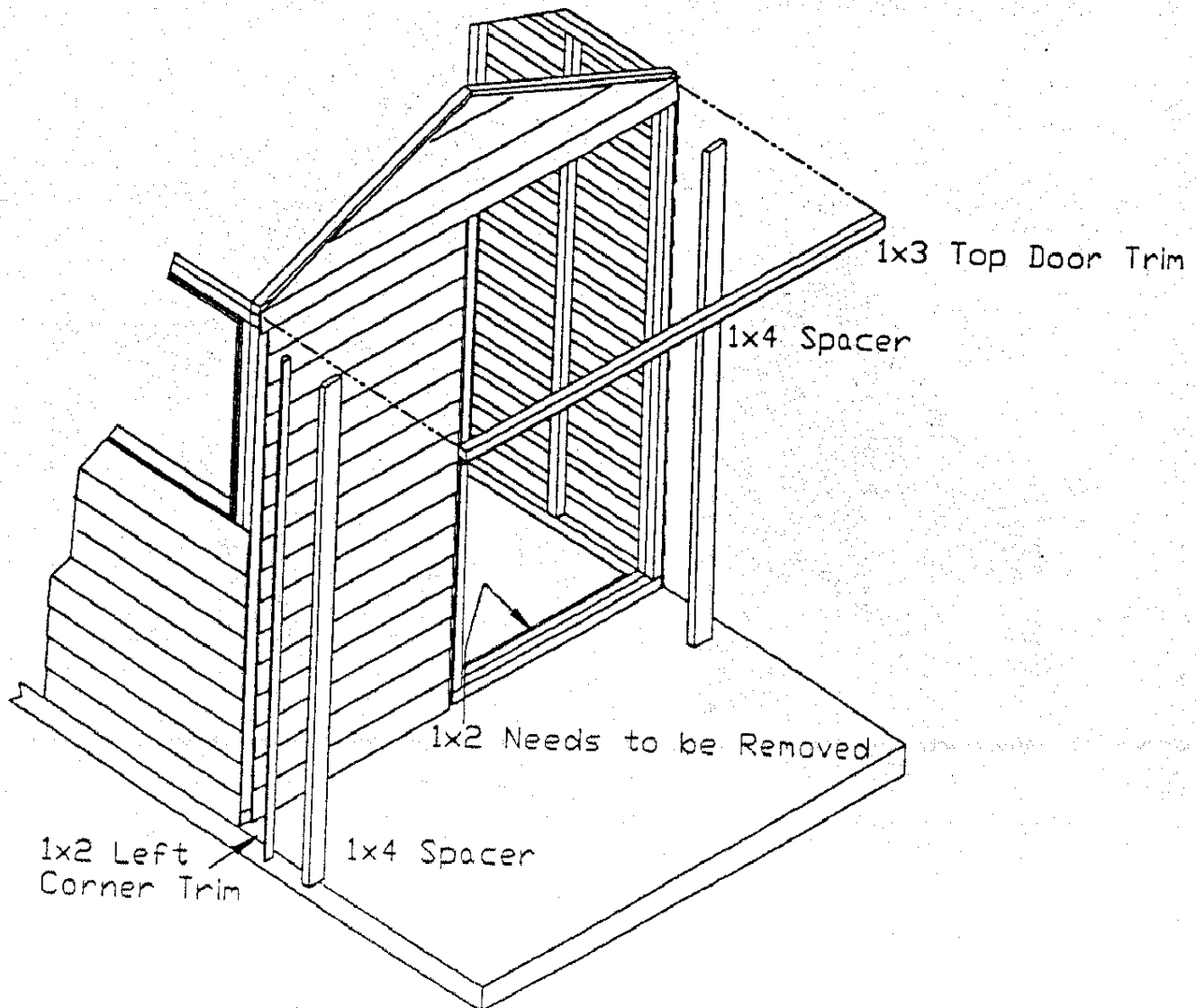
7. Position the gable walls on top of the top plates of the front and back of the Gardener's Delight. The 2x3 gable frame should sit flush on the 2x3 wall frame and 1x3 top plates. [See details below]. Use 3" screws.



D. DOOR TRIM & TRACK ASSEMBLY

The sliding door consists of the door track and the door unit. The door unit is pre-assembled.

1. Remove bottom 1x2 cleat which is attached to door frame. Flatten/remove any staples which are sticking out.
2. Attach 1x2 corner trim on to front left sidewall. Use 1 $\frac{3}{4}$ " finishing nails every 12 inches.
3. Attach 1x3 door trim (double angle cut) on the top of the front door frame. Use 1 $\frac{3}{4}$ " finishing nails every 12 inches.
4. Attach one of two 1x4 spacers flush with the front right corner of the door frame. Other 1x4 spacer should be mounted flush on top of left side trim. Use 1 $\frac{3}{4}$ " finishing nails every 12 inches.



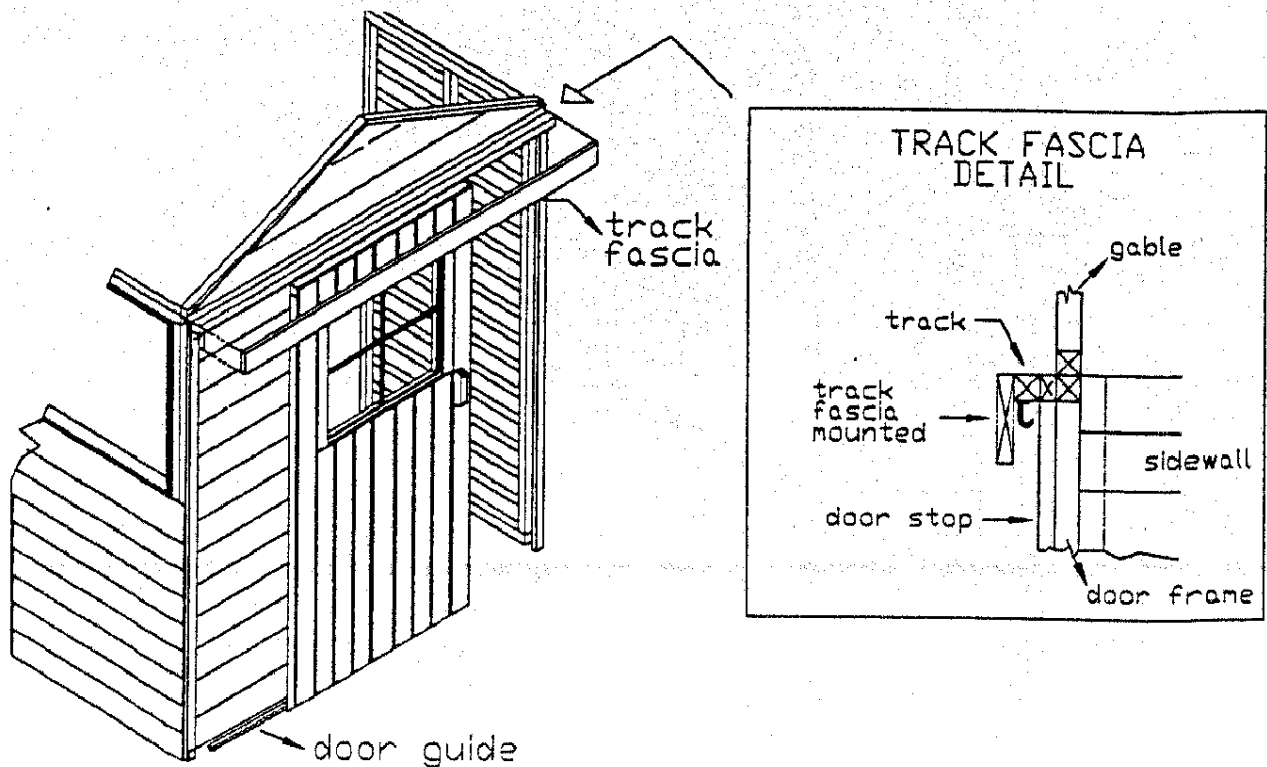
5. When satisfied with the positioning, secure the door track to the front wall of the building using 3" screws every 12 inches. Attach track onto 1x3 top door trim. The track location is directly above the door opening, as the top of the track lies flush with the top of the door trim.

6. Cover track with 1x3 fascia. Use 1 3/4" finishing nails to mount fascia to track every 12 inches.

7. Slide the door into the correct position by lining up the bottom door rail with the groove in the floor and top feed the wheel hangers onto the track. Once you have mounted the door it should slide effortlessly across the front of the Gardener's Delight building, as shown below.

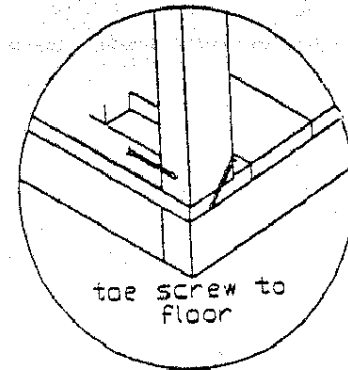
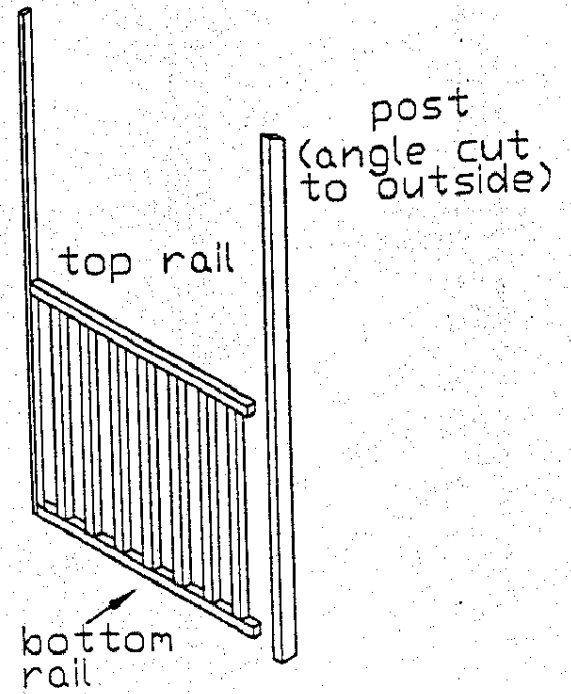
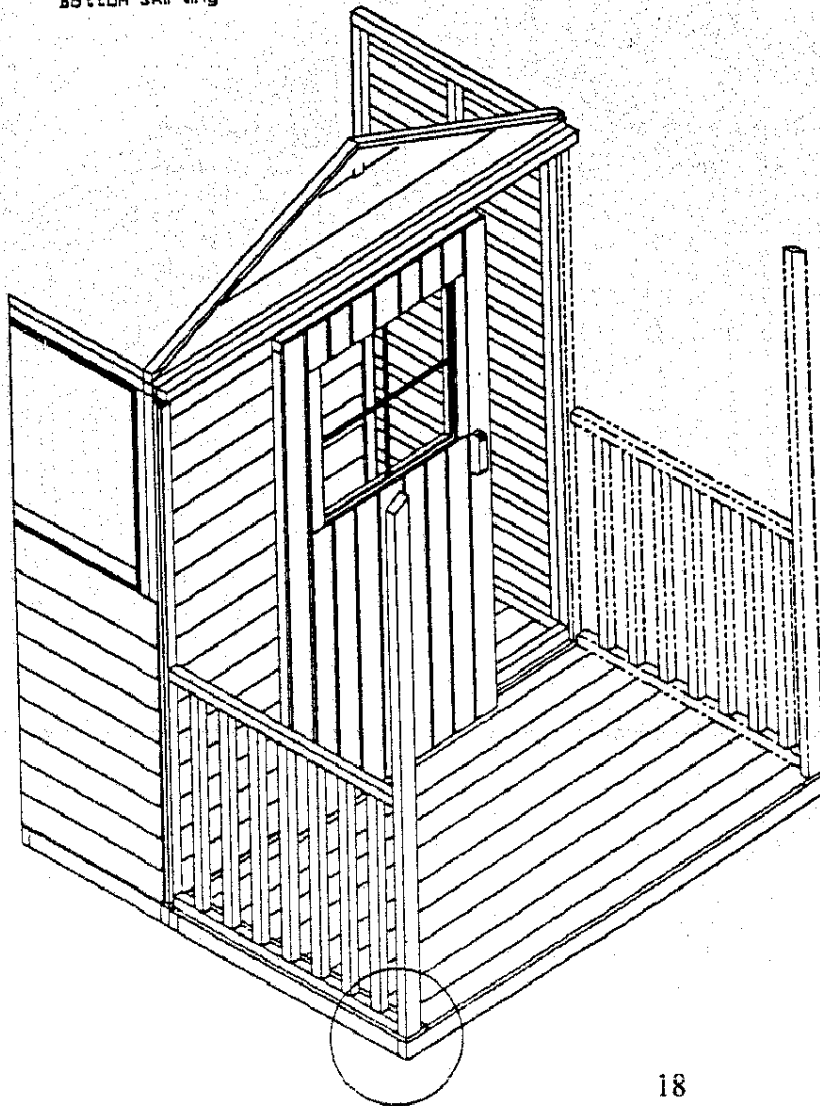
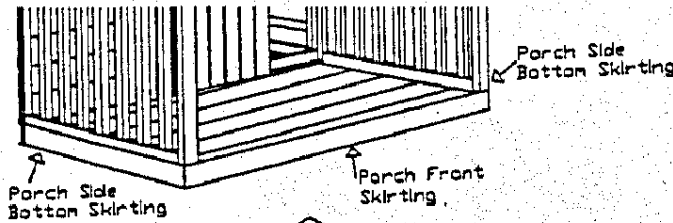
8. Attach door guide onto floor underneath the door. Adjust door guide so door is plum. Attach using 1 3/4" finishing nails to the floor.

(Attach door hardware here or at the end during project completion. Choose height for handle and hasp as desired).

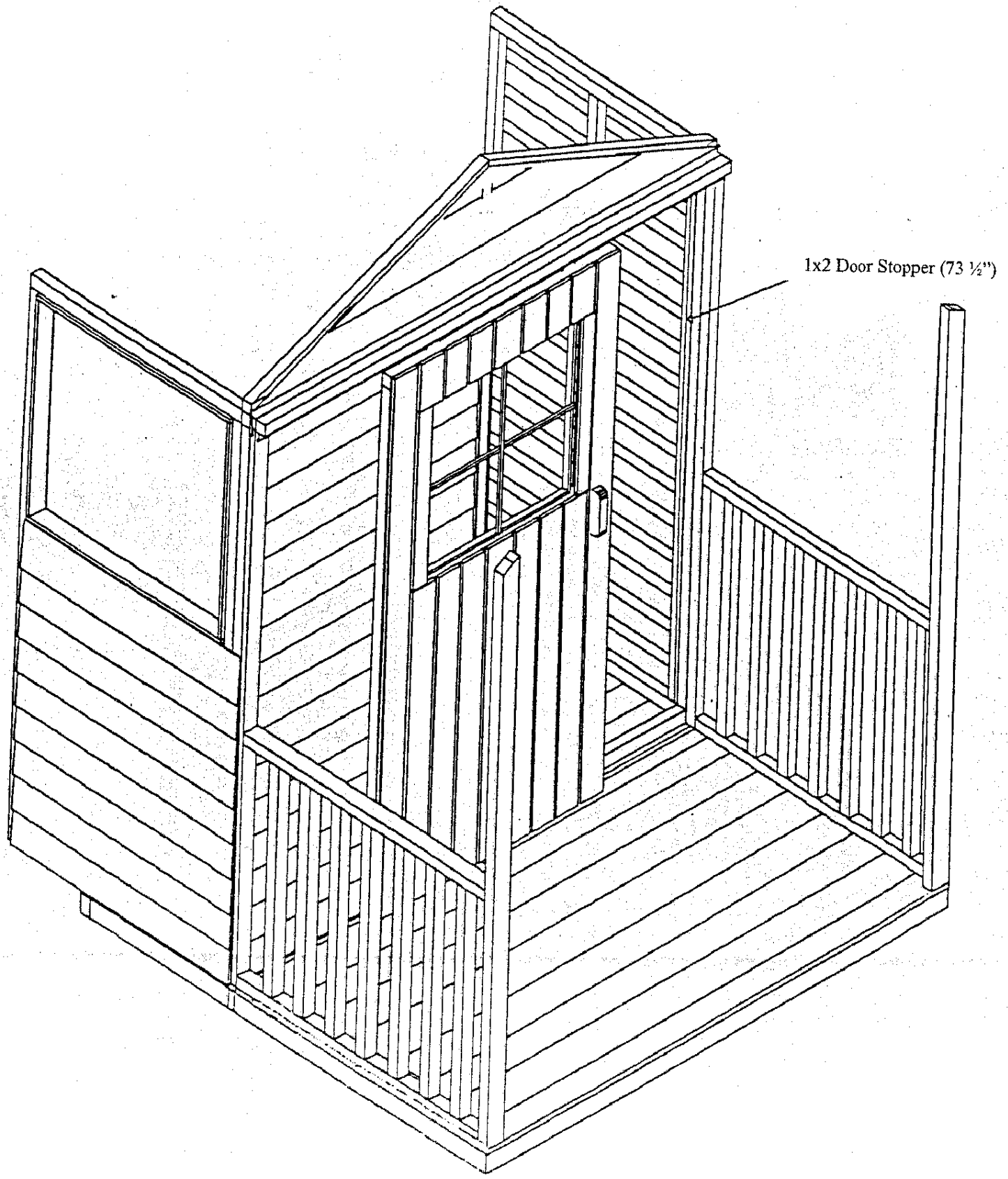


E. PORCH ASSEMBLY

1. Attach porch front bottom skirting and porch side skirting using 1 3/4" finishing nails.
2. Attach 2x4 (angle cut post) to the top and bottom rail. Use 3" screws into top and bottom rail.
3. Screw back post to 1x4 spacer. Use 3" screws every 12 inches.
4. Attach bottom rail to floor using 3 - 3" screws.
5. Make sure 2x4 (angle cut post) lies flush with front and side porch skirting. Toe nail front post to floor.



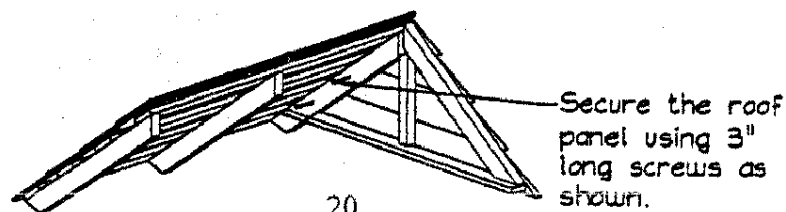
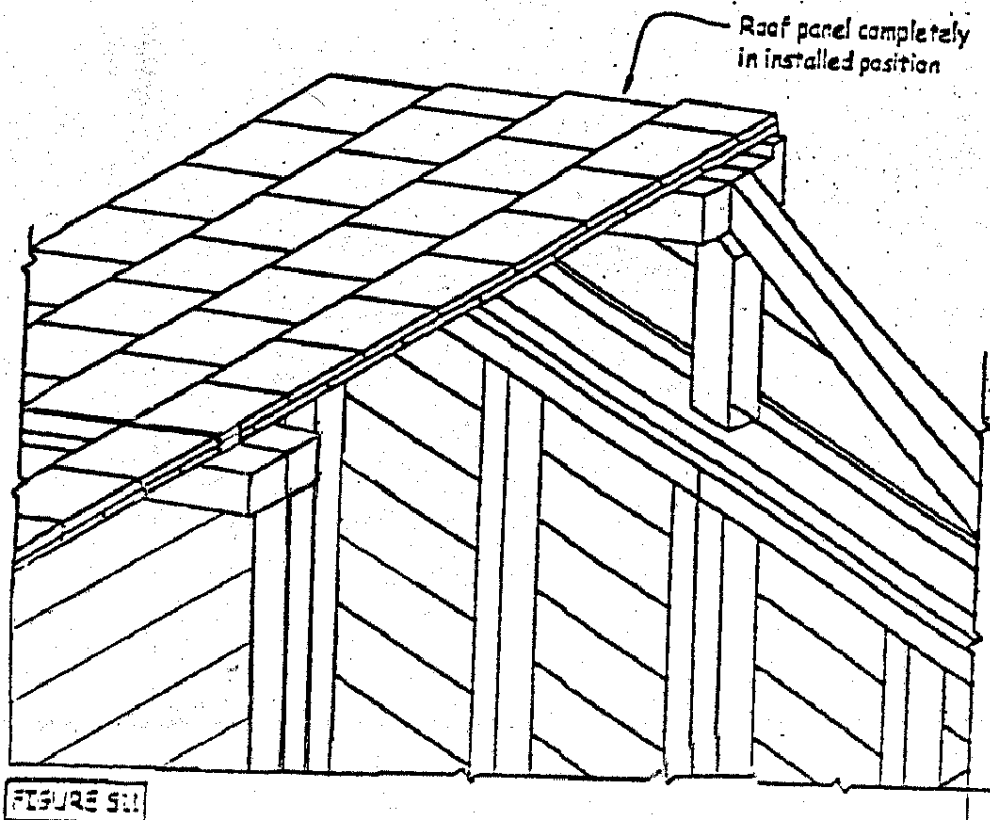
6. Attach 1x2 door stopper using 1 3/4" finishing nails. Door stopper location is typically on the inside right door frame. Nail in door stopper to whichever location suited for door.



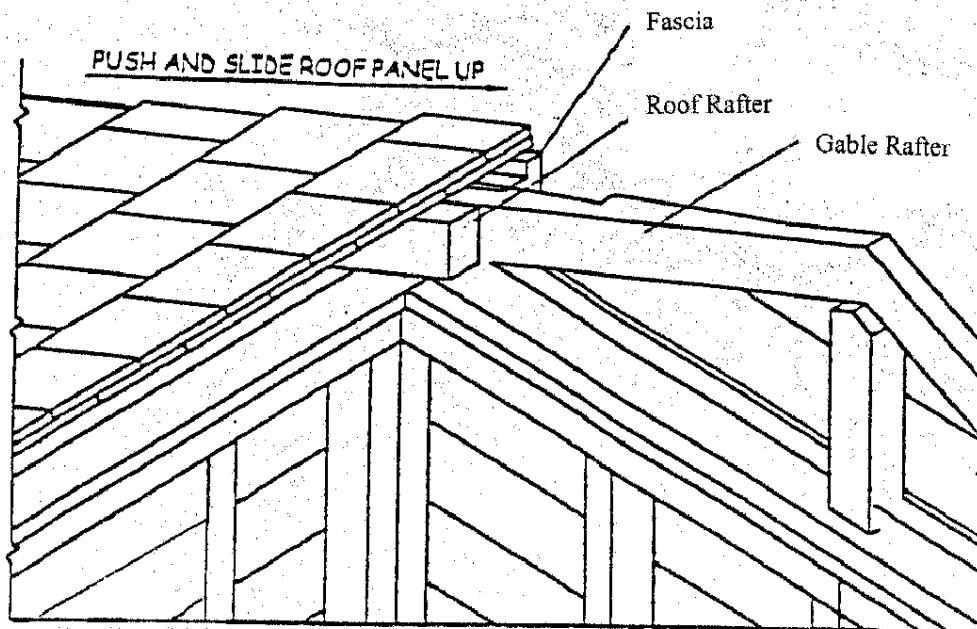
F. ROOF ASSEMBLY

All 4 – roof panels are the same and come with pre-attached fascia boards. Lay out the roof components, making sure the fascia boards are facing outwards on each roof section. You will definitely need help with the roof panels. You also need a 6' stepladder.

1. With the help of another person hoist one of the roof panels over the installed gables. The end of the roof panel will slide alongside and up the 2x3 of the wall gable. Push the roof panel up the gable wall from the outside until it entirely covers one half of the roof. (Front side of the roof will be joined onto porch roof panel, which will help hold secure roof panels.
2. Secure the roof panel by screwing through the end of the 2x2 roof rafter into the 2x3 of the wall gable as shown in detail below. Use 3" long screws to secure the roof panels. See following pages for further details.
3. Continue installing the other roof panel the same way you did the first one.



4. Position the other roof panel in the same fashion. The roof for the porch will fit on the gable and the front post. The fascia on the roof panels should align so that the roof is lined up correctly. Fasten the posts to the roof assembly by placing a screw through the inside of the rafter into the post.
5. After the roof is aligned, completely attach the roof to the Gardener's Delight building using 3" screws.
6. Screw the end rafters into gable rafter to secure roof panels using 3" screws. Screw through the top plate into the center roof rafters on each sidewall using 3" screws. (See figure S12).
7. Align porch post and screw porch post into roof rafter. (See figure S15)



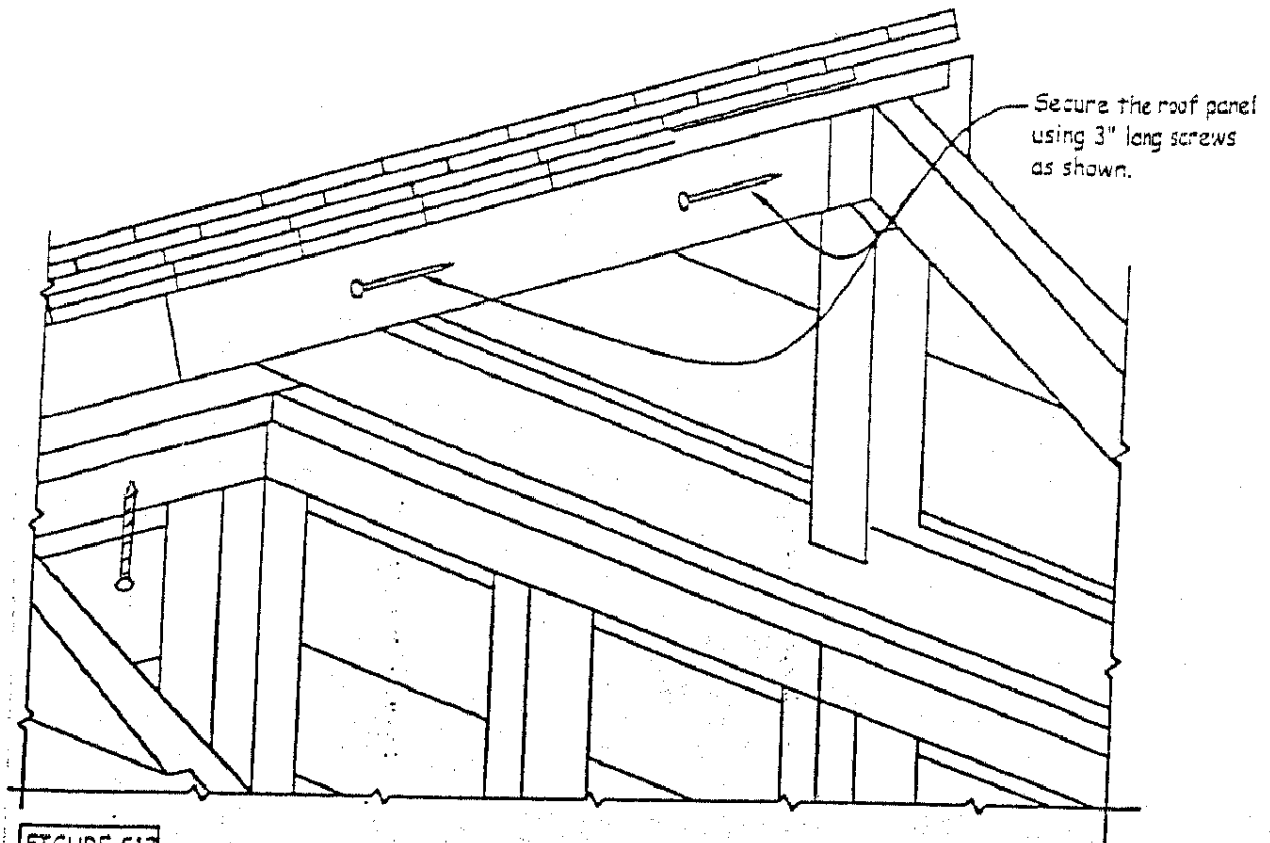


FIGURE S12

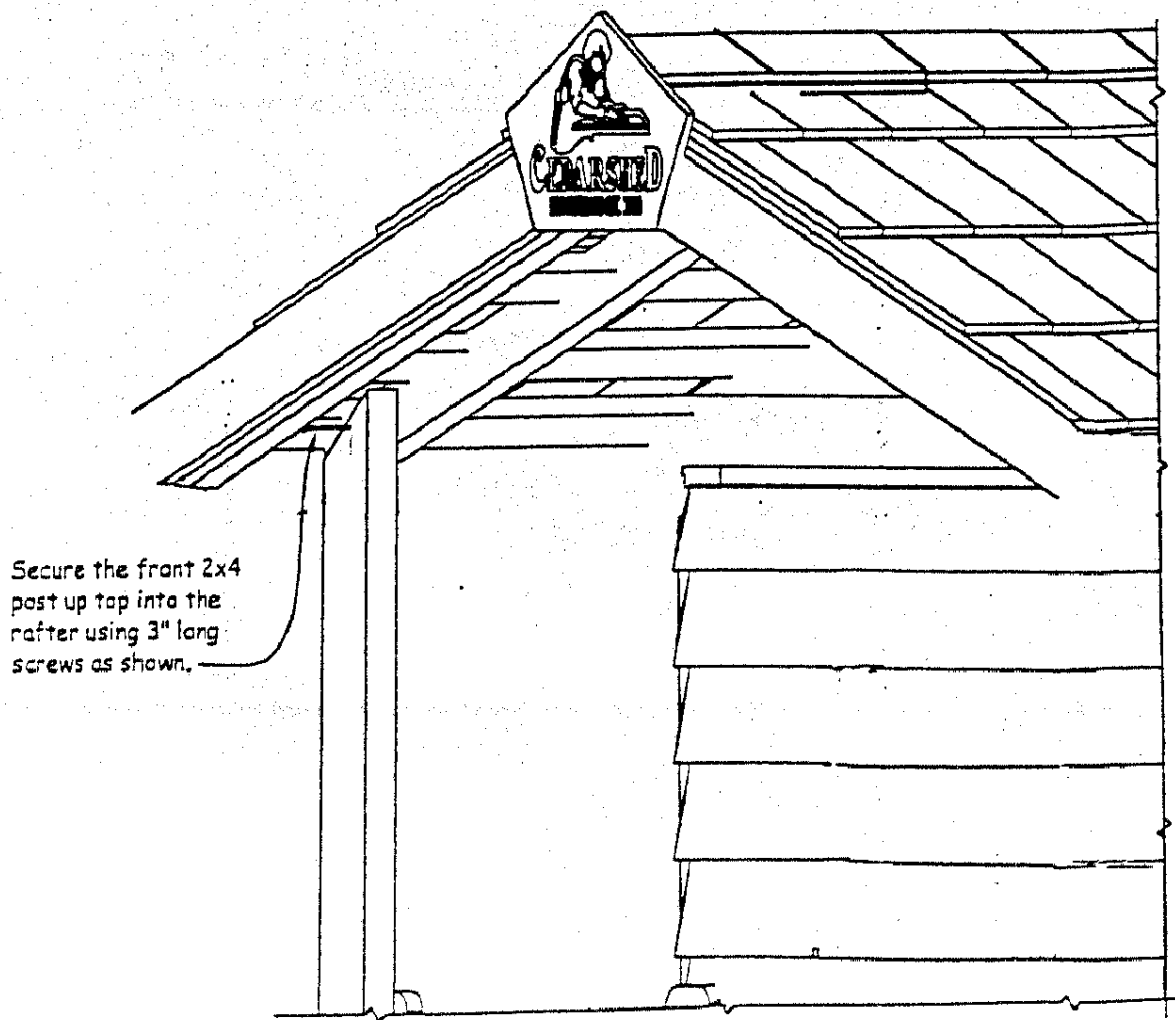
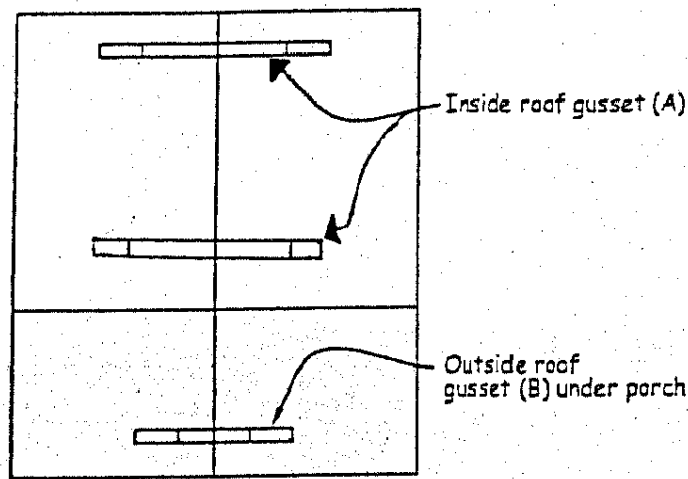


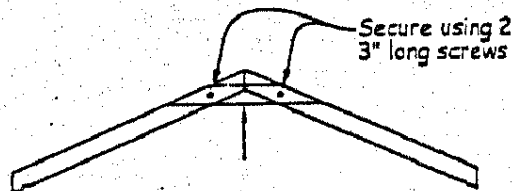
FIGURE S15

8. From the inside, strengthen the roof peak with the gusset pieces. Place screws at the angle cut of each gusset, up into the rafter. You may want your helper to assist by placing a level on the underside of the gusset, to ensure a proper position, while you fasten the pieces. Screw the long gusset to center of the roof rafter using 4 - 3" long screws.

9. Attach the porch gusset to the roof by placing it flush against the 2x3 of the roof panel. Secure using 2 - 3" screws. See Figure S16 and Figure 17 on the next page.

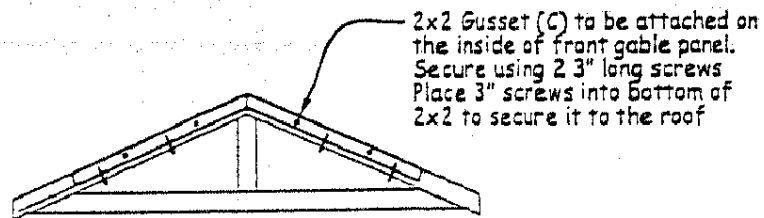


Plan View



End View Looking at Installed gusset

FIGURE S16



End View of Front gable

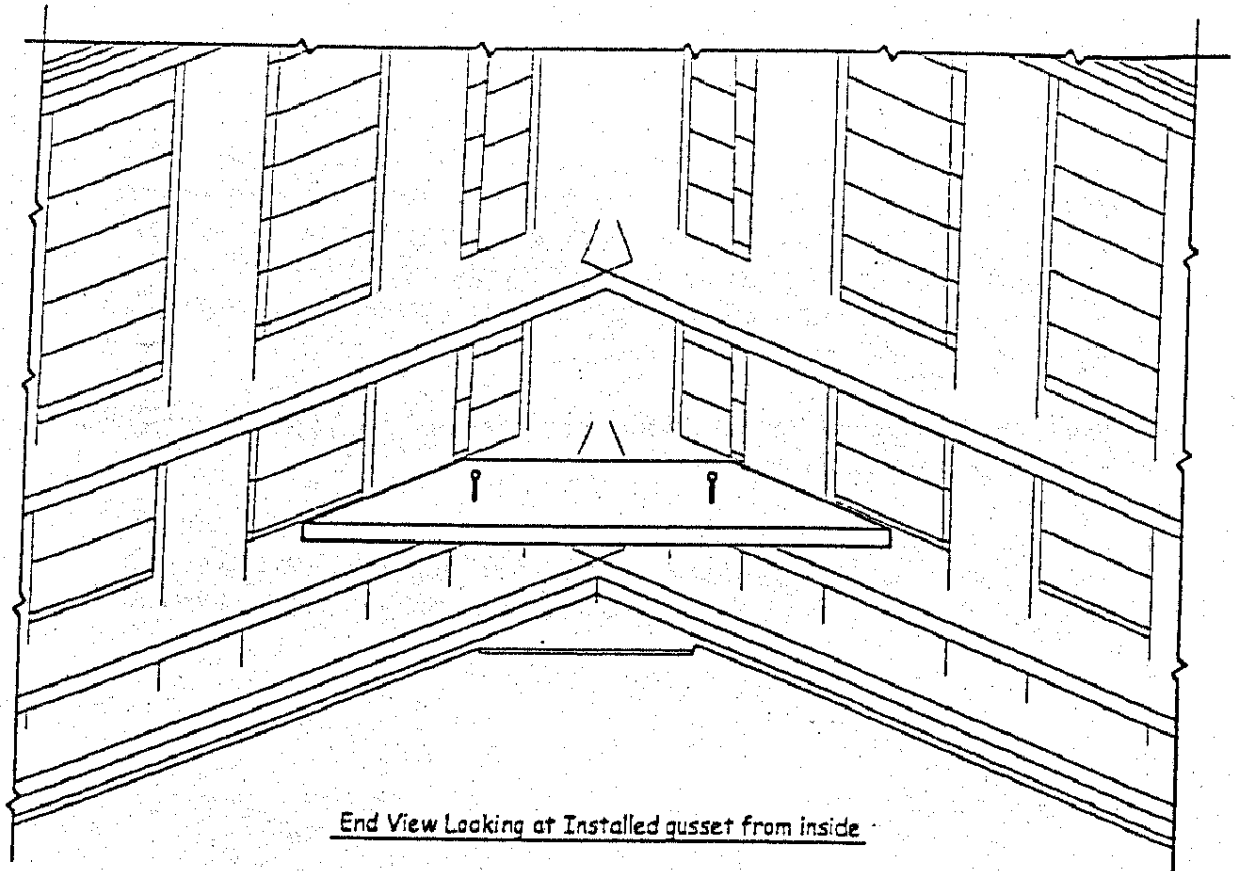


FIGURE S17

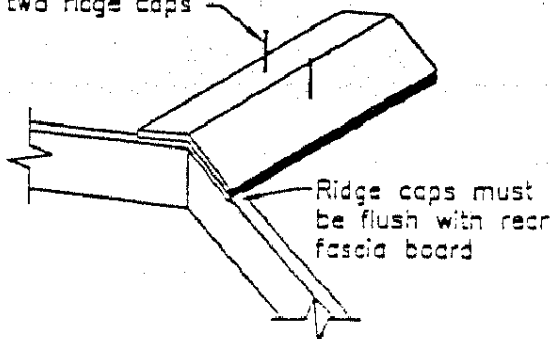
ROOFING FELT

- Before attaching the roof ridge caps, you need to first place roofing felt over the seam between the shingles of the roof panels. The roll of roofing felt is 1' wide. Cut the roofing felt lengthwise into three 4" wide strips. Place these strips end to end over the length of the seam between the roof panels, attaching it to the shingles with 1" nails.
- You are now ready to place the ridge caps on the roof of the Garden Delight.

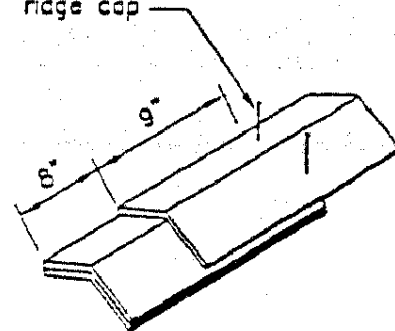
RIDGE CAP

- The ridge caps are placed over and cover the seam between the shingles of the roof panels. Ridge caps are installed from the rear of the shed proceeding towards the front of the shed. Using 2" roof nails, fasten the first ridge cap to the shingles, as it lies flush with the rear fascia. For the first ridge cap, place 4" nails down from the rear fascia, with one 2" nail on both the left and right sides of the ridge cap into the shingles.
- Place a second ridge cap on top of the first ridge cap and put nails at 9" from the rear edge of the second ridge cap.
- Continue to install subsequent ridge caps at 8" back of the front edge of the previous ridge cap. Complete the remainder of the ridge cap assembly over the roof seam. It may be necessary to cut the last ridge cap to size with a handsaw.

Nail down first
two ridge caps

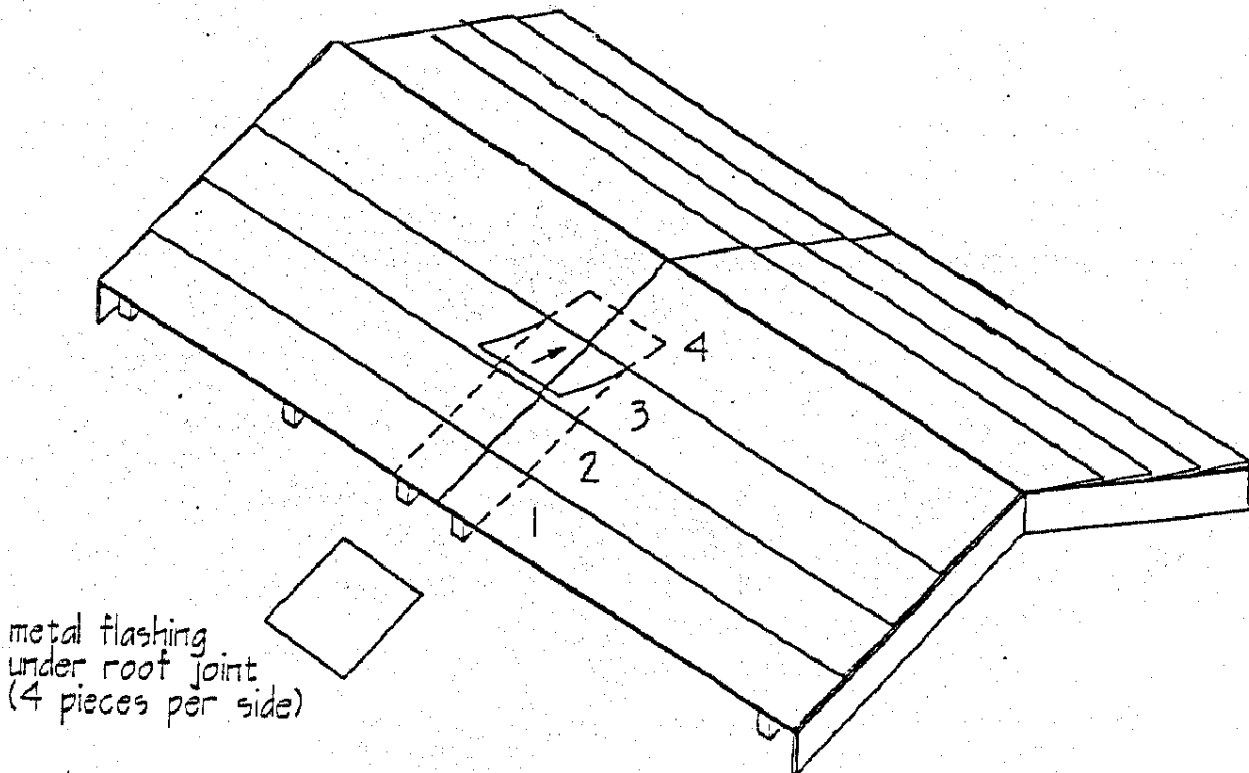


Continue nailing ridge
caps at 8" back of
the last installed
ridge cap



ROOF DETAILS

Starting at the bottom of the roof panel, slide one piece of flashing under the shingle until it is completely hidden. Make sure the flashing is centered over the roof seam. Continue until all four pieces per side have been installed. The last piece will reach the roof ridge as shown below.

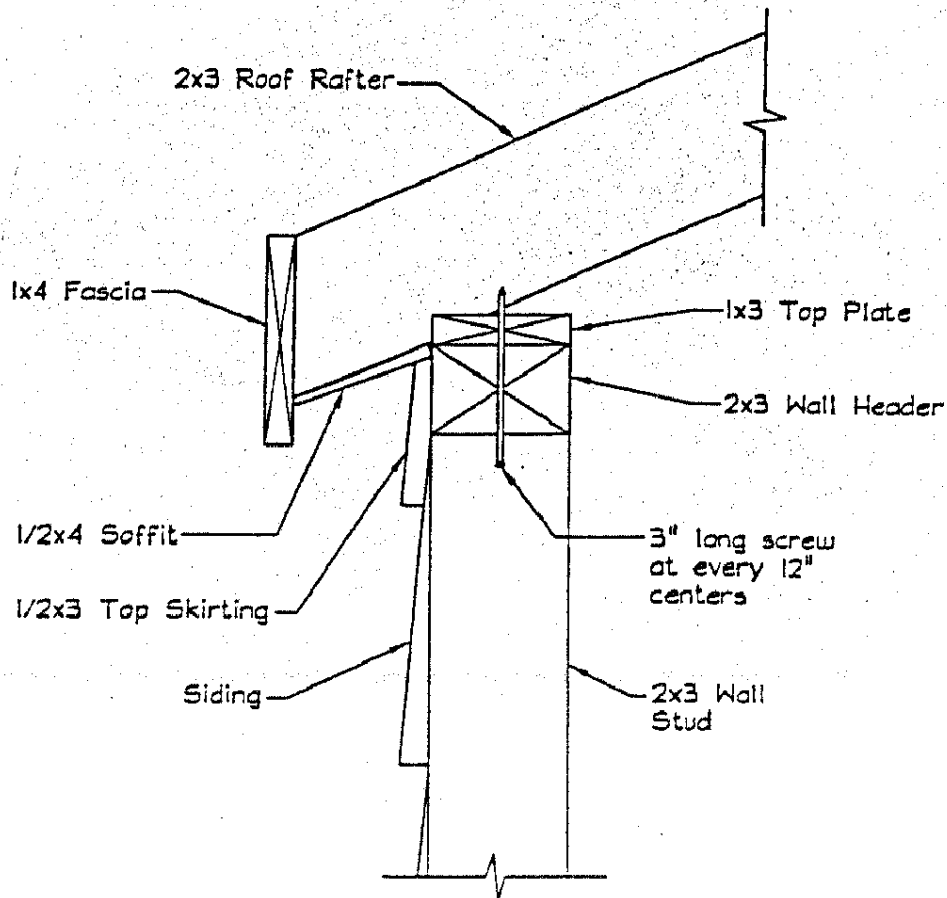


G. PROJECT COMPLETION

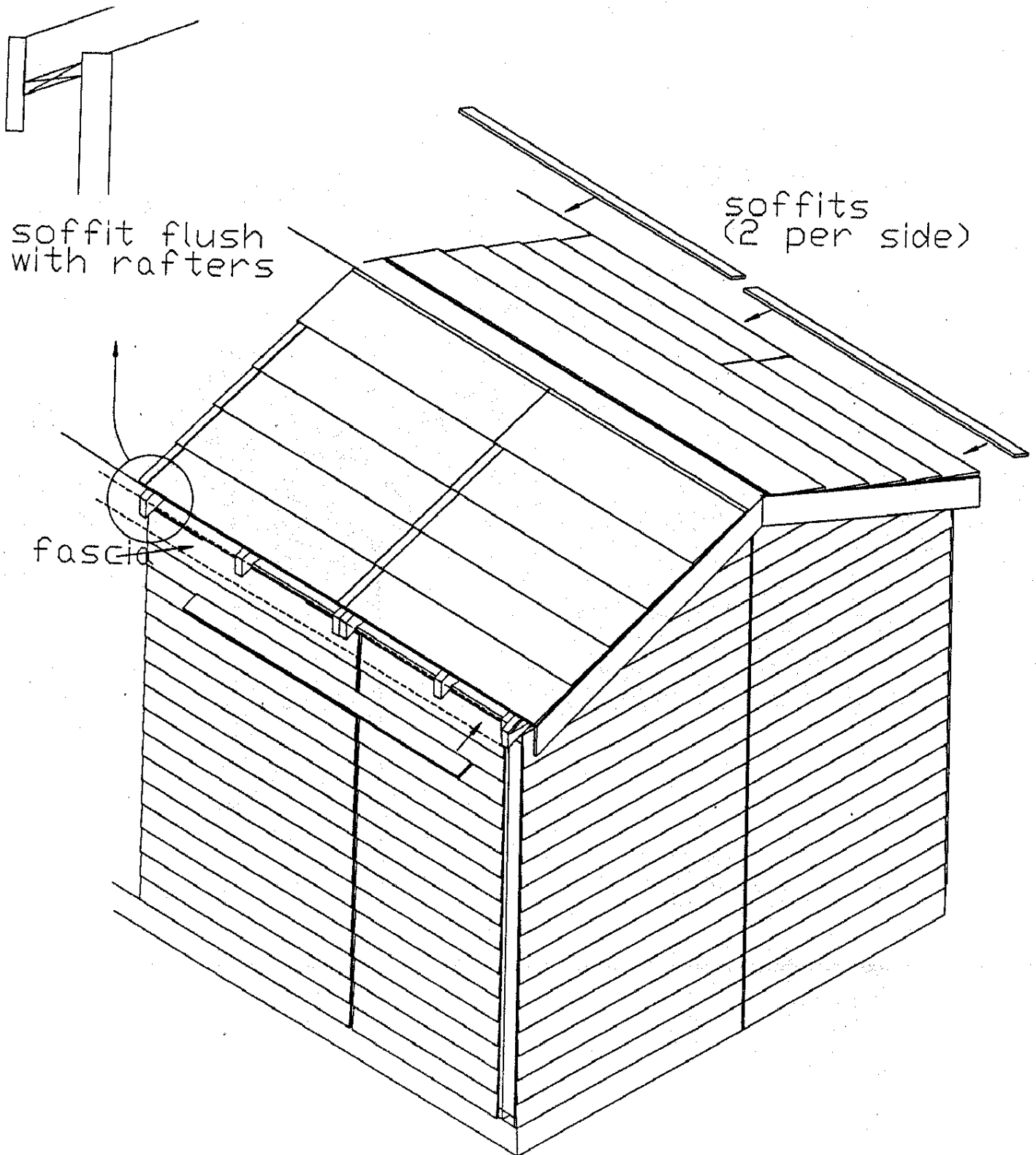
The following steps briefly show how the fascia, top/bottom skirting, soffits, corner boards and trims are attached:

- 1st attach soffits.
- 2nd attach top skirting
- 3rd attach corner boards and trims.
- 4th attach fascia.
- 5th attach bottom skirting.

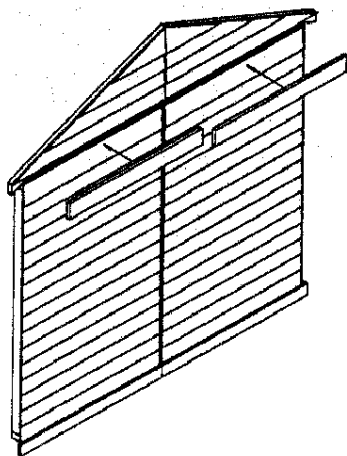
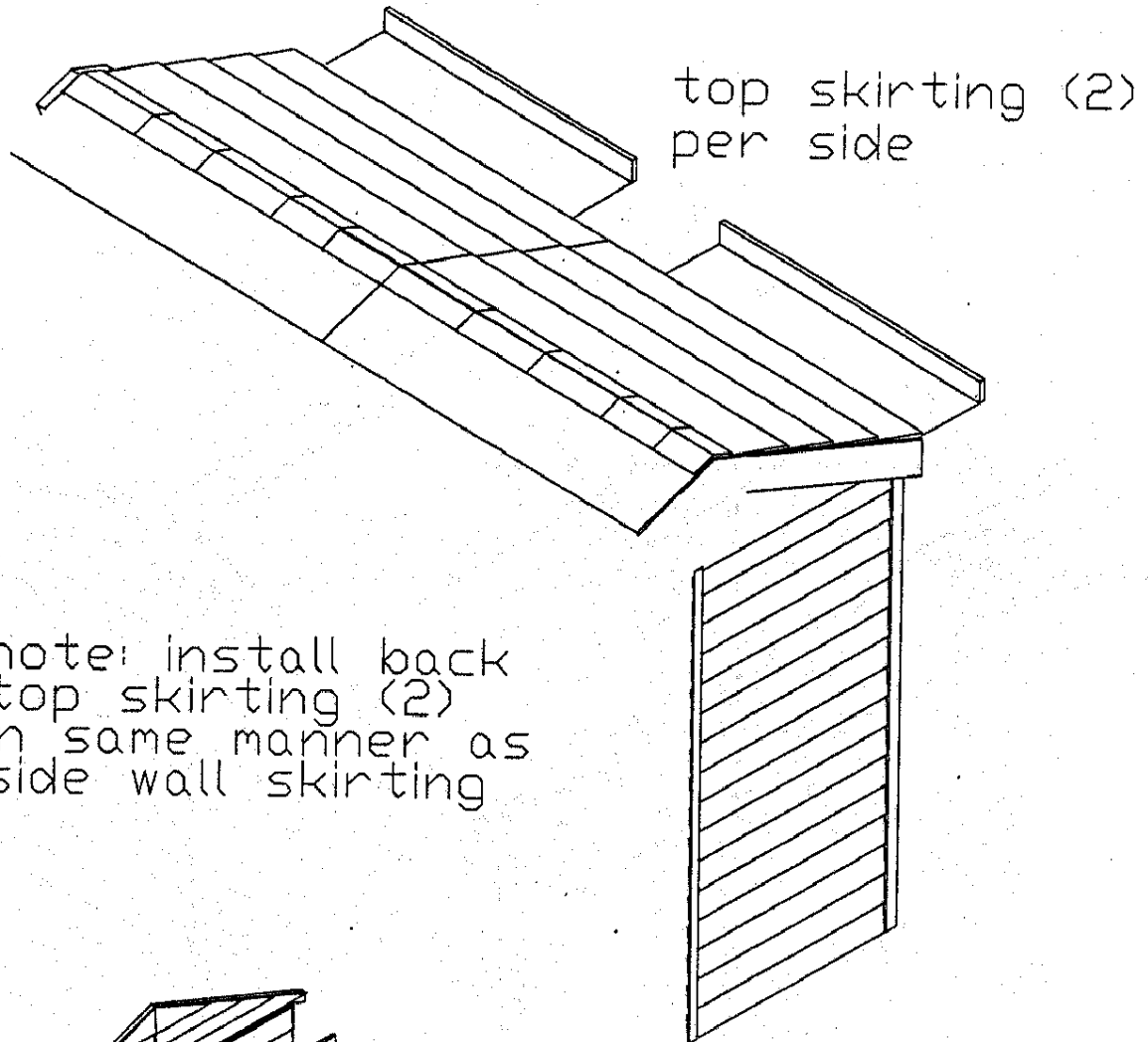
(Detailed diagrams on following pages)



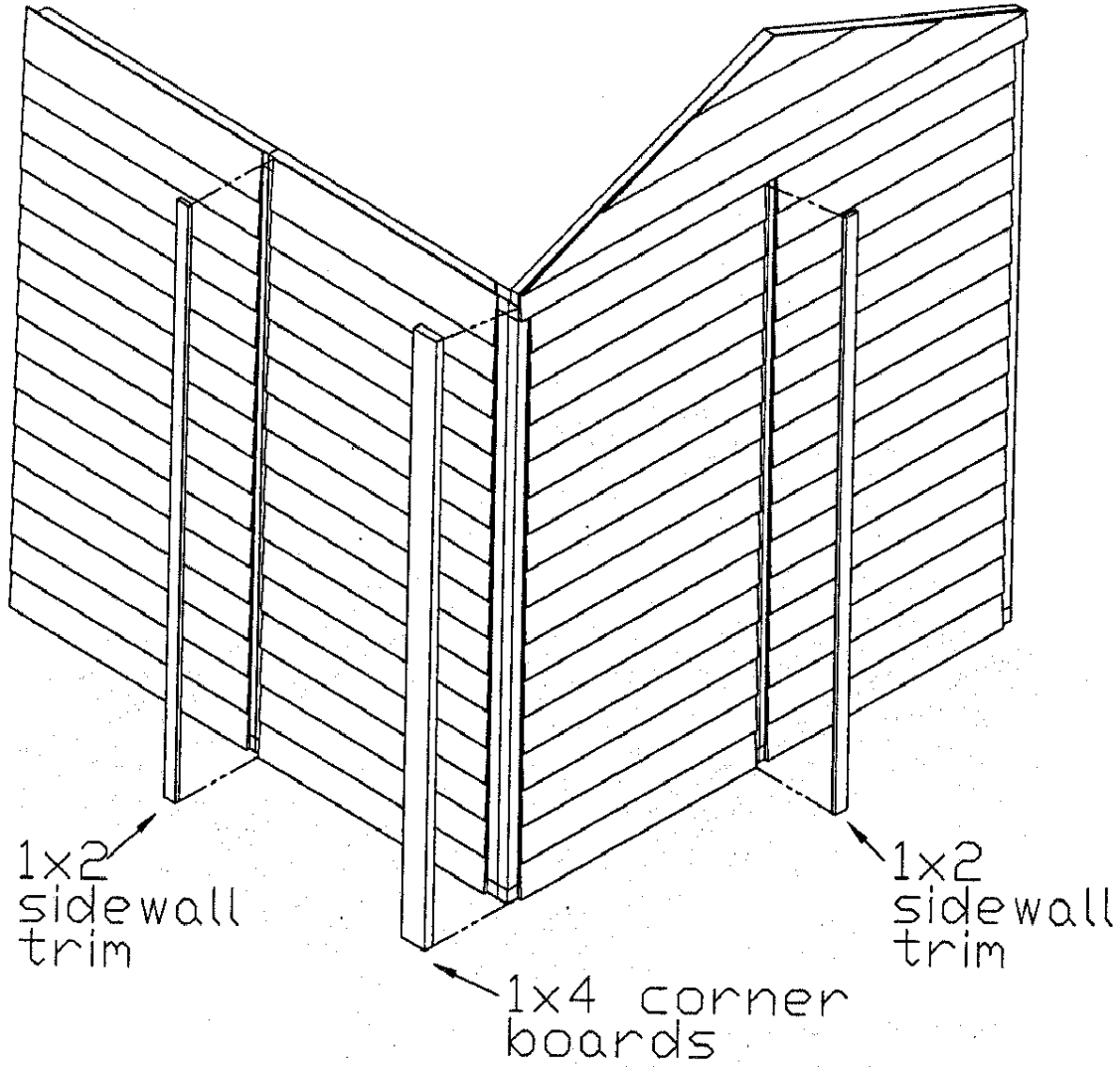
1. Insert the soffits. There are 2 soffits per side, and they fasten directly onto the underside of the rafters. There is a long and a short soffit per side.



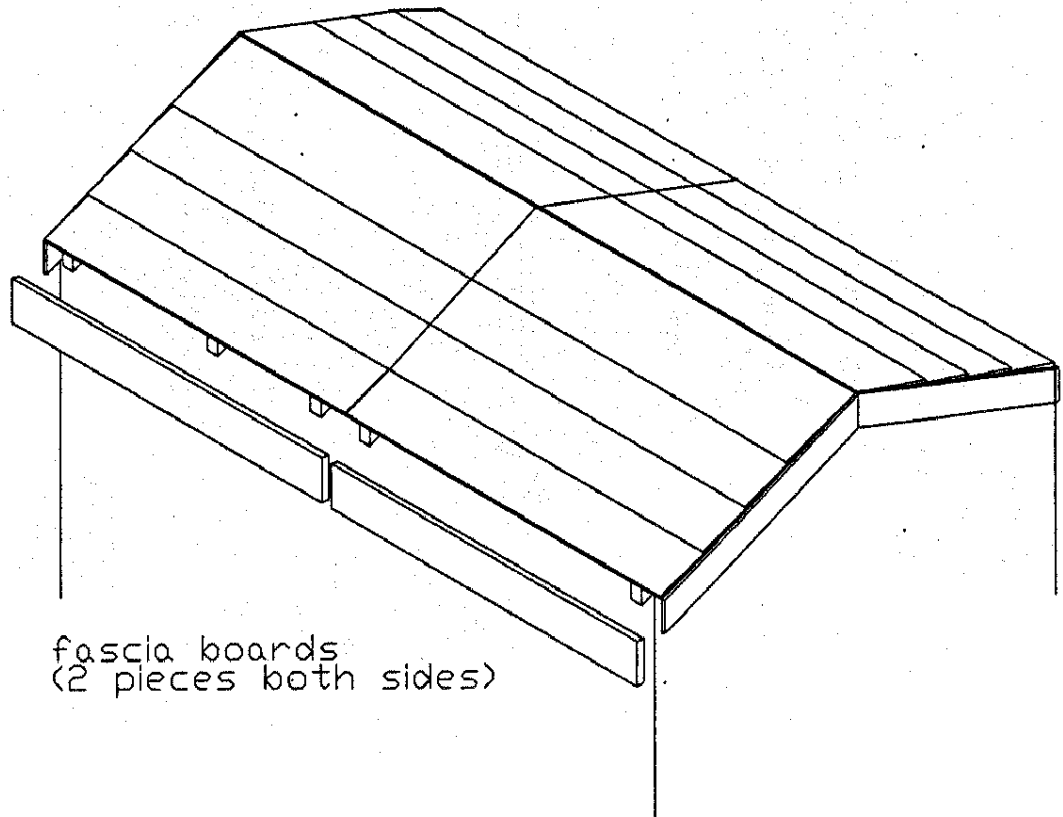
2. Place top skirting pieces, two per gable ends, over the joint connection using 1 3/4" finishing nails. There are 2 (1/2 x 4 1/2) pieces of back skirting and 4 (1/2 x 3) pieces of the side skirting.



3. Attach corner trims and corner boards using 1 3/4" finishing nails.



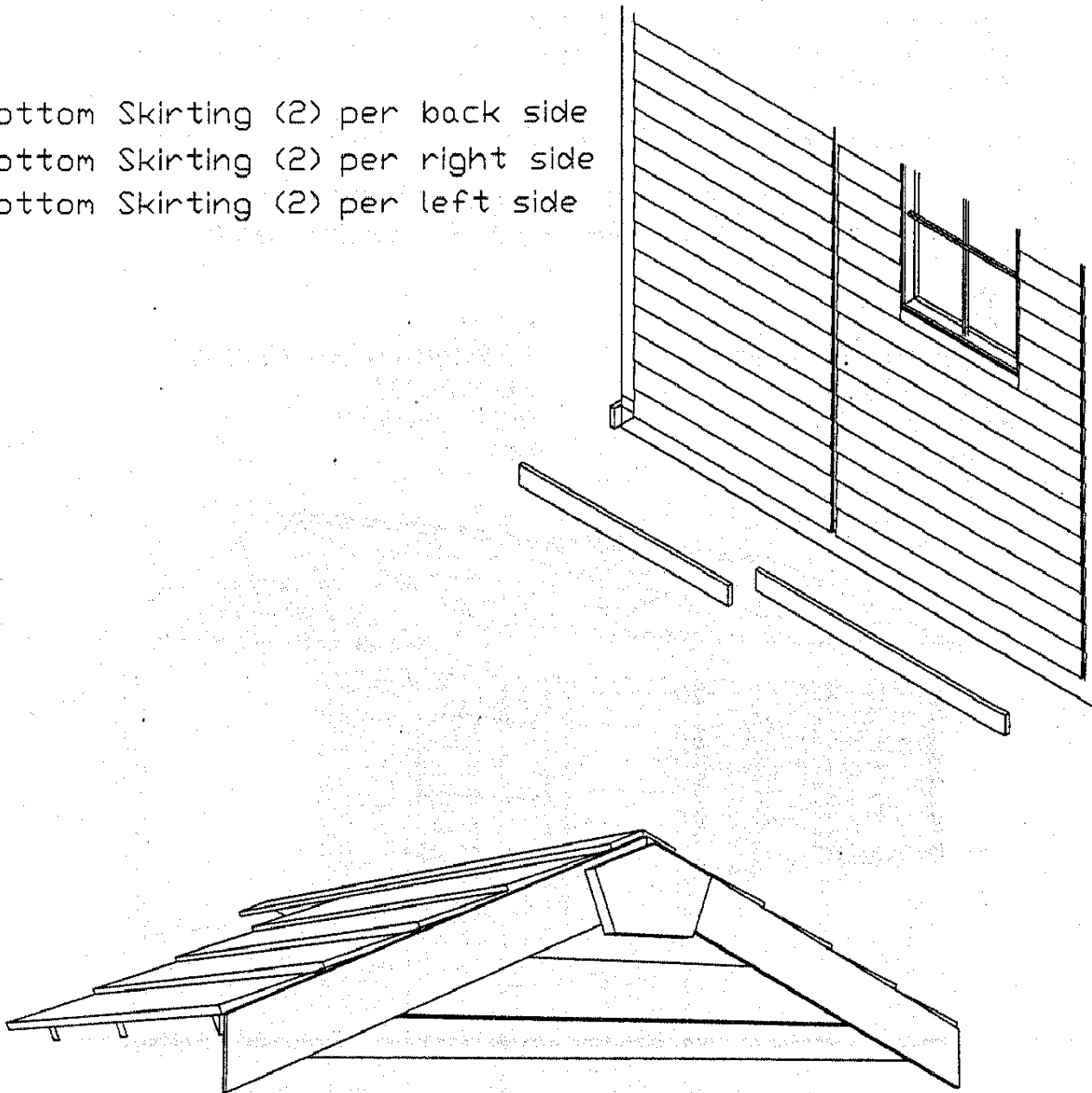
4. Attach fascia boards to the rafter ends using 1 3/4" finishing nails. There are 4 (1x4) pieces of fascia.



fascia boards
(2 pieces both sides)

5. Attach bottom skirting using 1 3/4" finishing nails. There are 6 (1/2 x 3) pieces of the side/back skirting.
6. Attach plaque with 1 3/4" finishing nails to center of front and back of Gardener's Delight.

Bottom Skirting (2) per back side
Bottom Skirting (2) per right side
Bottom Skirting (2) per left side



CONGRATULATIONS

You have successfully completed the construction of your Gardener's Delight. Thank you for choosing a CEDARSHED product. We hope that your entire experience was a rewarding one and that you and your family will have years of enjoyment with our product.

As mentioned in the questionnaire (included inside the unit packaging along with the checklist of parts), by completing our questionnaire and mailing a picture of your completed Cedarshed product, we will send you a personalized plaque free of charge that you can mount on your structure (max. 36 letters). Don't forget to enter our Best Picture Contest. Also see Questionnaire for details.

Please refer to the questionnaire or call Cedarshed if you require additional information.

TOLL FREE CUSTOMER SUPPORT: 1 800 830 8033

E-MAIL: sales@cedarshed.com Visit our Website: www.cedarshed.com

Mailing Address:

In Canada:

CEDARSHED INDUSTRIES

9770 - 199A Street

Langley, B.C. V1M 2X7

Canada

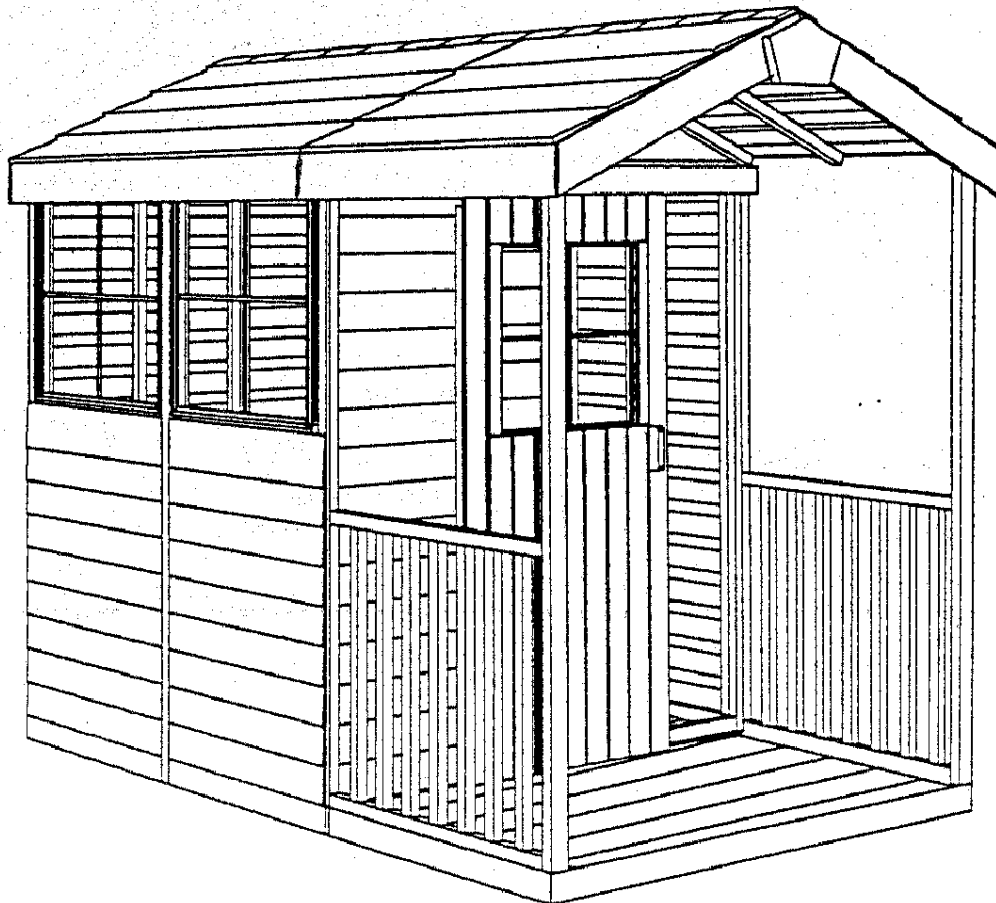
In USA:

CEDARSHED INDUSTRIES

P.O. Box 2189

Blaine, WA 98231

USA



WHO WE ARE	GAZEBOS	GARDEN SHEDS	GARDEN FURNISHINGS	TESTIMONIALS	LINKS	HOW TO PURCHASE	DEALER'S CORNER	CONSUMER'S CORNER	SPECIALS
------------	---------	--------------	--------------------	--------------	-------	-----------------	-----------------	-------------------	----------

Gazebos and Sheds from Cedarshed Industries - Site Map

Consumer's Corner



Return to main menu

Specifications for Garden Sheds and Gazebos

GARDEN SHEDS									
Item	Inside Height	Floor Dimensions		Outside Dimensions (includes roof overhang)					
		Width	Length	Width	Length	Height	Door Opening	Weight	Installation Times*
8x3 Yardsaver	72"(B) 65"(F)	90"	36"	93"	43"	80"(B) 73"(F)	43"x66"	520 lbs	2 Hrs
6x6 Gardener	89 1/2"	69"	74 1/8"	82"	85 1/2"	100"	30"x71"	625 lbs	2 Hrs
6x9 Gardener's Delight	87"	72"	110"	82"	118"	95"	35"x69"	825 lbs	4 Hrs
9x6 Cabana	89 1/2"	108 9/16"	69"	120"	82"	100"	30"x71"	1050 lbs	4 Hrs
8x10 Rancher	94"	93"	120 5/8"	105 1/4"	132"	105"	50 1/2"x72 5/8"	1200 lbs	5 Hrs
12x8 Haida	94"	144 5/8"	93"	148"	105 1/4"	105"	38 1/2"x71"	1500 lbs	5 Hrs
8x8 Sunhouse	92"	93"	93"	95 1/2"	96"	102"	43 1/2"x69"	1000 lbs	5 Hrs
8x12 Sunhouse	92"	93"	139 1/2"	95 1/2"	142 1/2"	102"	43 1/2"x69"	1400 lbs	6 Hrs
12x12 Sunhouse	92"	136 5/16"	139 1/2"	139 "	142 1/2"	102"	43 1/2"x69"	1800 lbs	8 Hrs
GAZEBOS									
Item	Inside Height	Floor Dimensions			Outside Dimension (includes roof overhang)				
		Diameter	Sidewall	Rim Joist**	Diameter	Sidewall	Height	Door Opening	Weight
12' Octagon All Season	118"	156 1/2"	145"	59 5/8"	180"	162"	128"	43"x73"	2500 lbs
10' Hexagon All Season	114"	136 1/4"	118"	68"	154"	133"	124"	43"x73"	2200 lbs
10'x13' Teahouse	118"	156"	111"	55 7/16"	167"	127"	128"	34"x73"	2200 lbs
14' Octagon	125"	181"	168"	68 15/16"	205"	187"	135"	64"x73"	2400 lbs
12' Octagon	118"	156 1/2"	145"	59 5/8"	178"	163"	128"	55"x73"	2000 lbs
10 Hexagon	114"	136 1/4"	118"	68"	154"	133"	124"	62 1/2"	1700 lbs
8' Hexagon	108"	111 1/4"	96"	55 7/16"	136"	116"	118"	50"x73"	1500 lbs
6' Hexagon Gabriola	92"	85 1/4"	75"	39 3/8"	100"	91"	102"	37"x73"	850 lbs
10'x10' Square Gazebo	114"	127 1/8"	127 1/8"	N/A	147"	147"	124"	34"x73"	1700 lbs

* Precut Gazebos take 2 people 2 to 4 days to complete, panelized gazebos take 2 people 1 day to complete.