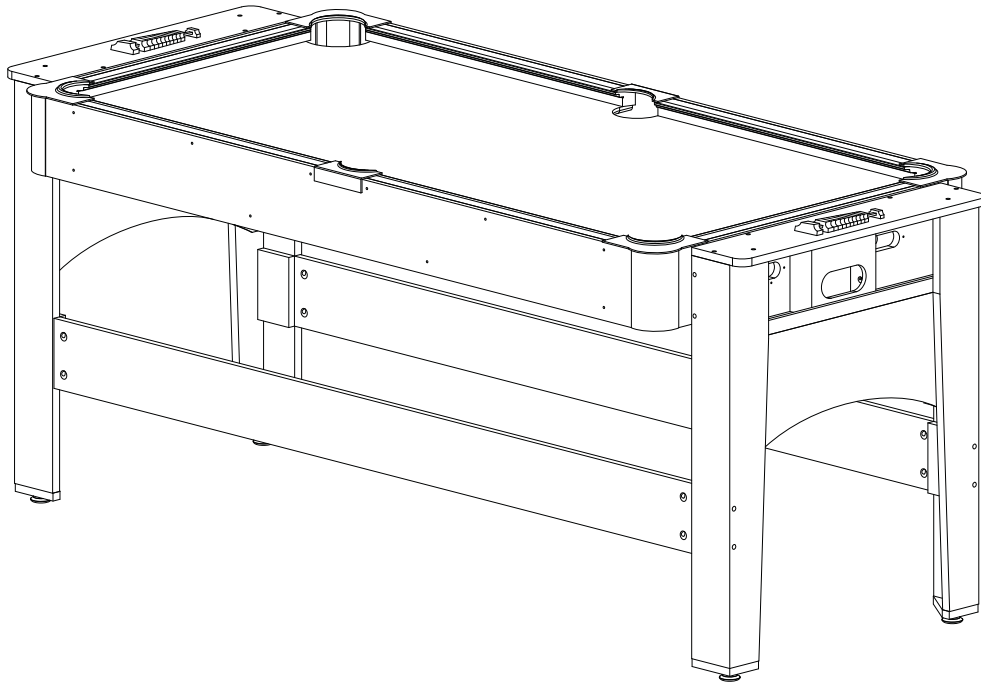


**NG1022M Triple Threat 3-in-1 Game Table**

**3 IN 1 GAME TABLE**



## ***3 in 1 Game Table***

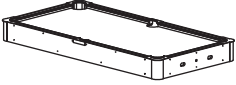

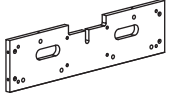
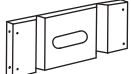

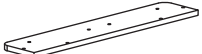

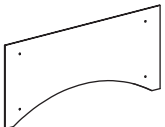
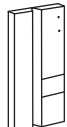
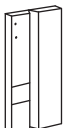



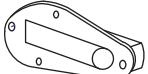
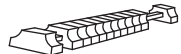
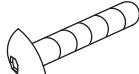
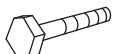
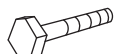

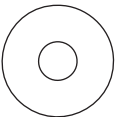


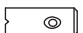
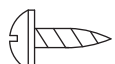
Thank you for your purchase of our product.

We work around the clock and around the globe to ensure that our products maintain the highest possible quality. However, in the rare instance that your product is defective or missing parts, contact Challenger Manufacturing at 800-759-0977 to submit parts requests or warranty claims. Please read the warranty information at the back of these assembly instructions for further details.

**IMPORTANT! PLEASE READ THESE ASSEMBLY INSTRUCTIONS IN ENTIRETY BEFORE ASSEMBLING YOUR PRODUCT.**

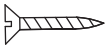
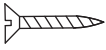
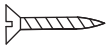


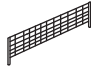
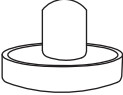


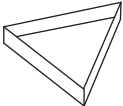
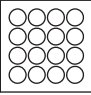

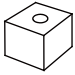



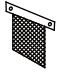
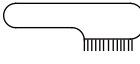
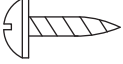
# 3 in 1 Game Table

## Parts Identifier

Part No./ Qty	Illustration/ Order Number	Part No./ Qty	Illustration/ Order Number	Part No./ Qty	Illustration/ Order Number
1 Qty. 1	 Cabinet Order No. 2-256	2 Qty. 1	 Allen Wrench Order No. 2-116	3 Qty. 2	 End Panel Order No. 2-257
4 Qty. 2	 Catcher Box Order No. 2-258	5 Qty. 2	 Ball Return Board Order No. 2-259	6 Qty. 2	 Top End Panel Order No. 2-260
7 Qty. 2	 Leg Brace Order No. 2-261	8 Qty. 2	 Leg Panel Order No. 2-262	9 Qty. 2	 Left Leg Order No. 2-263
10 Qty. 2	 Right Leg Order No. 2-264	11 Qty. 4	 Leg Base Order No. 2-265	12 Qty. 1	 Table Tennis Surface Order No. 2-267
13 Qty. 4	 Leg Leveler Order No. 2-268	14 Qty. 4	 Lock Pin Order No. 2-266	15 Qty. 2	 Slide Scorer Order No. 2-269
16 Qty. 8	 1/4" x 1-3/4" Allen Key Bolt Order No. 2-270	17 Qty. 8	 5/16" x 5-1/2" Hex Bolt Order No. 2-271	18 Qty. 2	 1/2" Hex Bolt Order No. 2-117
19 Qty. 2	 1/2" Washer Order No. 2-107	20 Qty. 2	 1/2" Plastic Washer Order No. 2-272	21 Qty. 8	 5/16" Washer Order No. 2-273
22 Qty. 8	 1/4" Barrel Nut Order No. 2-12	23 Qty. 8	 5/16" Barrel Nut Order No. 2-179	24 Qty. 10	 T4 x 1/2" Screw Order No. 2-31

# 3 in 1 Game Table

## Parts Identifier

<p><b>25</b></p>  <p>Qty. 44</p> <p>F4 x 2" Screw Order No. 2-274</p>	<p><b>26</b></p>  <p>Qty. 4</p> <p>F4 x 1" Screw Order No. 2-134</p>	<p><b>27</b></p>  <p>Qty. 16</p> <p>F3 x 1/2" Screw Order No. 4-124</p>
<p><b>28</b></p>  <p>Qty. 2</p> <p>Table Tennis Paddle Order No. 2-275</p>	<p><b>29</b></p>  <p>Qty. 2</p> <p>Table Tennis Ball Order No. 2-276</p>	<p><b>30</b></p>  <p>Qty. 1</p> <p>Table Tennis Net with Posts Order No. 2-277</p>
<p><b>31</b></p>  <p>Qty. 2</p> <p>Hockey Pusher Order No. 2-18</p>	<p><b>32</b></p>  <p>Qty. 2</p> <p>Hockey Felt Order No. 2-19</p>	<p><b>33</b></p>  <p>Qty. 2</p> <p>Hockey Puck Order No. 2-20</p>
<p><b>34</b></p>  <p>Qty. 1</p> <p>Triangle Order No. 2-278</p>	<p><b>35</b></p>  <p>Qty. 1</p> <p>Billiard Balls Order No. 2-279</p>	<p><b>36</b></p>  <p>Qty. 2</p> <p>Cue Stick Order No. 2-66</p>
<p><b>37</b></p>  <p>Qty. 2</p> <p>Chalk Order No. 2-24</p>	<p><b>38</b></p>  <p>Qty. 1</p> <p>Wrench Order No. 2-280</p>	<p><b>39</b></p>  <p>Qty. 12</p> <p>L Steel Bracket Order No. 2-281</p>
<p><b>40</b></p>  <p>Qty. 2</p> <p>Cue Holder Order No. 2-282</p>	<p><b>41</b></p>  <p>Qty. 1</p> <p>Storage Organizer Order No. 2-283</p>	<p><b>42</b></p>  <p>Qty. 1</p> <p>Brush Order No. 2-284</p>
<p><b>43</b></p>  <p>Qty. 24</p> <p>T4 x 5/8" Screw Order No. 3-224</p>		

# 3 in 1 Game Table

## Preparing for Assembly

- Be sure to unpack all of the parts included in this package. Check inside any tubes or sleeves. Save all packing material until the product is fully assembled and functional.
- Compare the parts in your package with the Parts Identifier description
- After unpacking large products, some disassembly may be required prior to beginning the assembly.

## Tools Required

- Open End Wrench (#38)
- Allen Wrench (#2)
- Phillips Screwdriver (not included)
- Level (not included)
- Electric screwdriver may be helpful. **CAUTION:** You must set at LOW TORQUE and use extreme caution because you could overtighten the hardware, strip the screws, or damage the table.

# **3 in 1 Game Table**

## **Assembly Tips**

Make sure you understand the following before you begin to assemble your game table.

1. READ THIS MANUAL all the way through before beginning assembly.
2. When installing parts that have more than one bolt, start ALL bolts in that part by hand before tightening anything.
3. Some drawings or images in this manual may not look exactly like your product.
4. You may need a second adult to assist with this assembly.

**Note:** Save all packing materials until the parts have been inspected and the table is assembled.

## **Unpack the Pieces**

- Lay the box on a flat surface (floor). You may want this near your area of assembly.
- Unpack the boxes and part bags. Inspect and count the parts. The Parts Identifier page can be used to record your results.
- If any parts are damaged or missing, contact Customer Service.
- Missing fasteners may be purchased at a hardware store using the descriptions on the Parts Identifier pages.

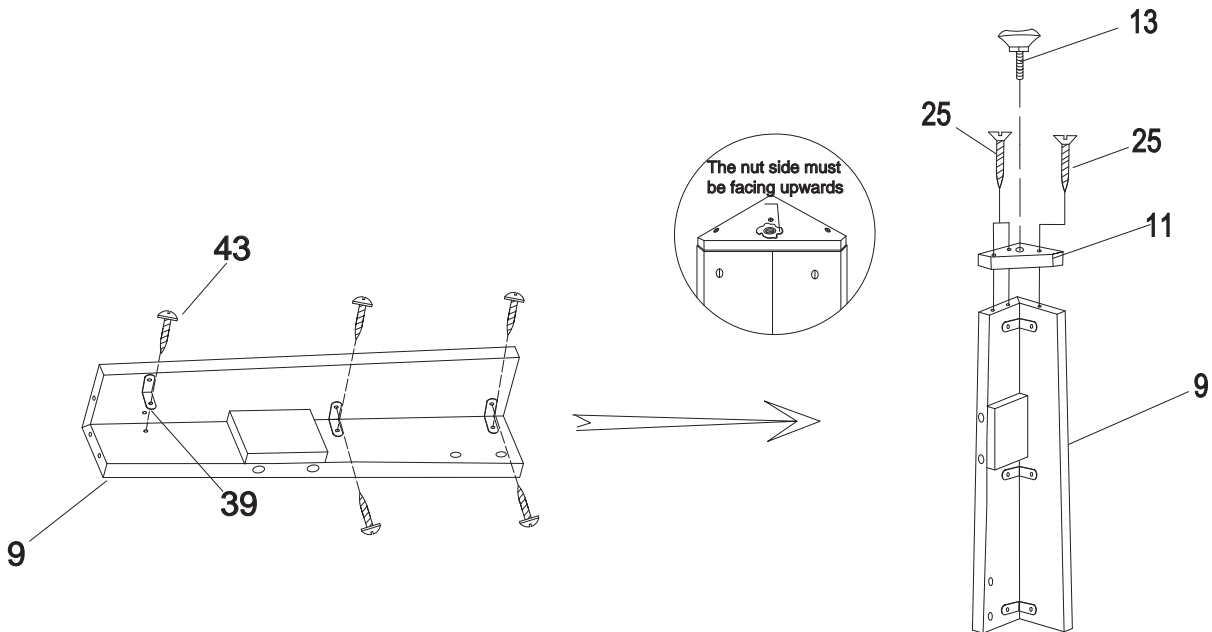
## **Games**

This game table includes the equipment and game pieces for Air Hockey, Pool and Table Tennis. The rules for these games are not discussed in this manual.

# 3 in 1 Game Table

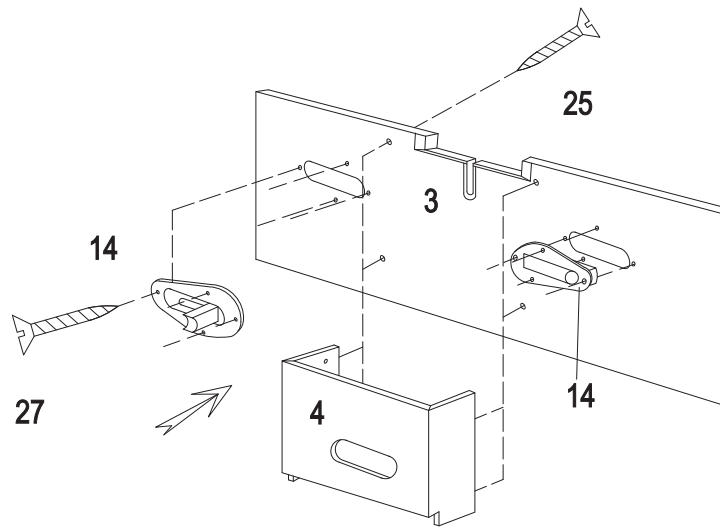
## STEP 1 - ASSEMBLE THE LEGS

1. Select one of the leg pieces (#9 or #10) and lay it flat on the floor. Do not bend the hinge in the leg backwards. Damage to the outer surface will occur.
2. Position three of the “L” shaped steel brackets (#39) on one side of the leg. Use three screws (#43) to attach the brackets to the leg. Close (fold) the leg and use three screws (#43) to secure the brackets. Tighten the screws.
3. Place a leg base (#11) at the bottom and insert three screws (#25) into the holes. The pressed in nut must be facing out away from the leg.
4. Tighten the screws.
5. Screw a leg leveler (#13) half way into the leg base.
6. Repeat for the remaining three legs.



## STEP 2 - ATTACH THE TABLE LOCKS AND CATCH BOX

1. Insert the table locks (#14) into the end panel (#3). Use four screws (#27) to secure each one.
2. Hold the catch box (#4) in position. Insert four screws (#25) from the back side of the end panel.
3. Tighten the screws.
4. Repeat for second end panel

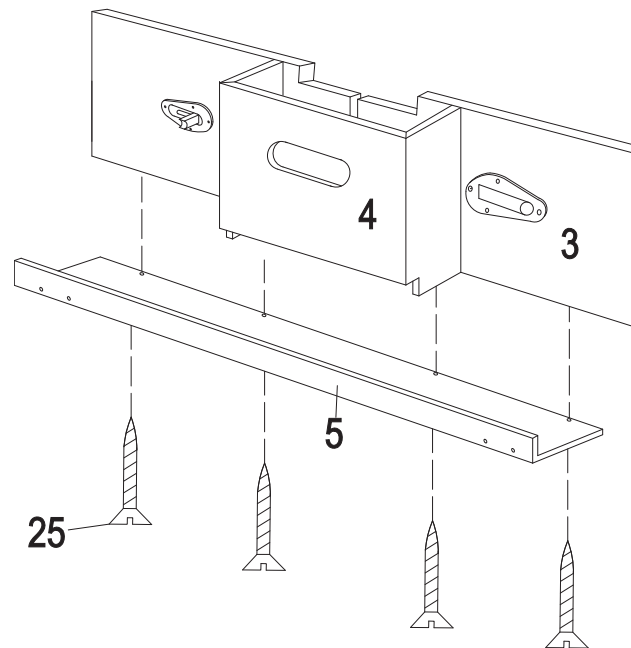




## 3 in 1 Game Table

### STEP 3 - ASSEMBLE BALL RETURN BOARD

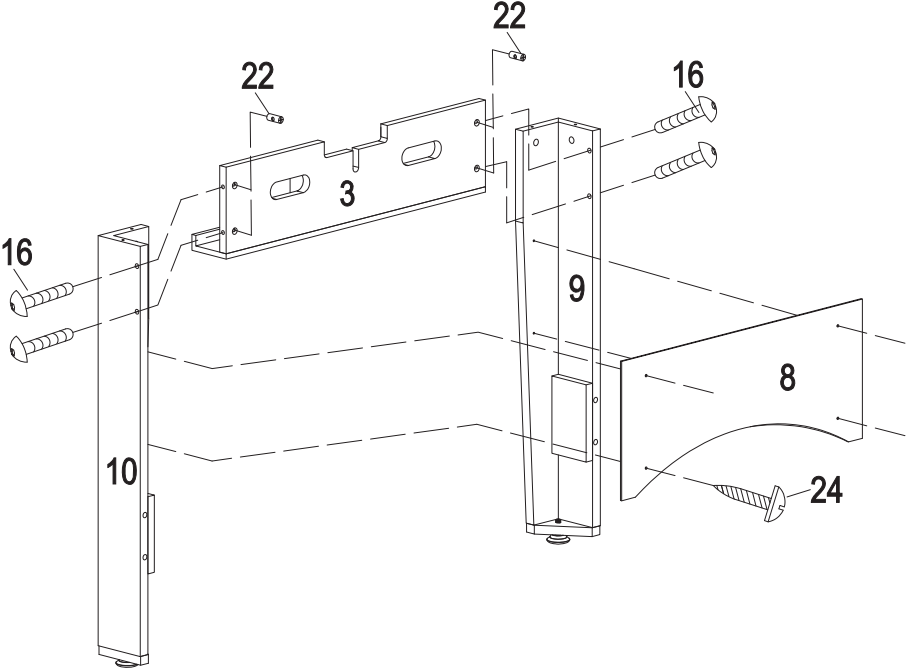
1. Attach the ball return boards (#5) to the bottom of the end panels (#3). Use four screws (#25) per ball return board.
2. Tighten the screws.



# 3 in 1 Game Table

## STEP 4 - ASSEMBLE LEGS TO END PANELS

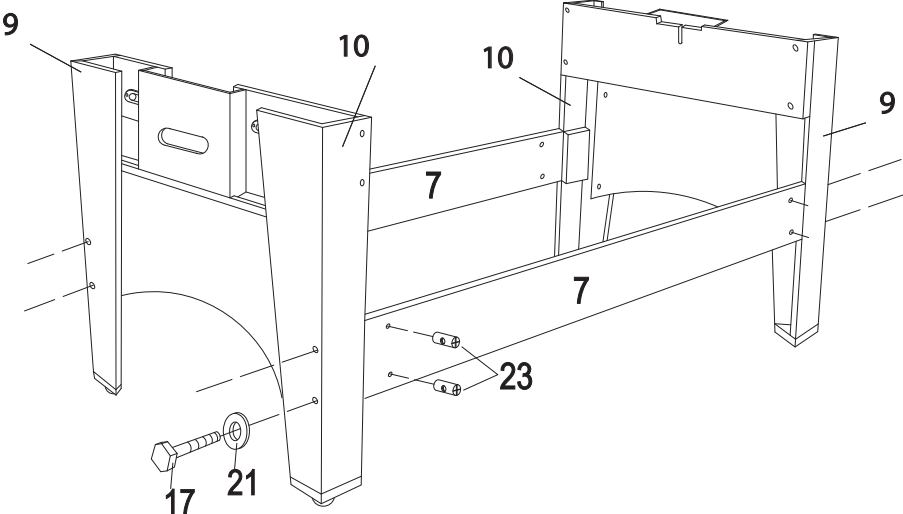
- 1. Insert four barrel nuts (#22) into the left and right holes of an end panel (#3). Attach a left leg (#9) and a right leg (#10) to an end panel (#3) using two bolts (#16) per leg.
- 2. Attach a leg panel (#8) to the legs and secure it using four screws (#24) per leg panel.
- 3. Repeat steps 1 and 2 to assemble the other apron and legs.



# 3 in 1 Game Table

## STEP 5 - ATTACH LEG BRACES

1. Insert four barrel nuts (#23) into the holes of the leg braces (#7) as shown. Attach the leg braces (#7) between the assembled legs using four washers (#21) and four bolts (#17) per leg brace.



# 3 in 1 Game Table

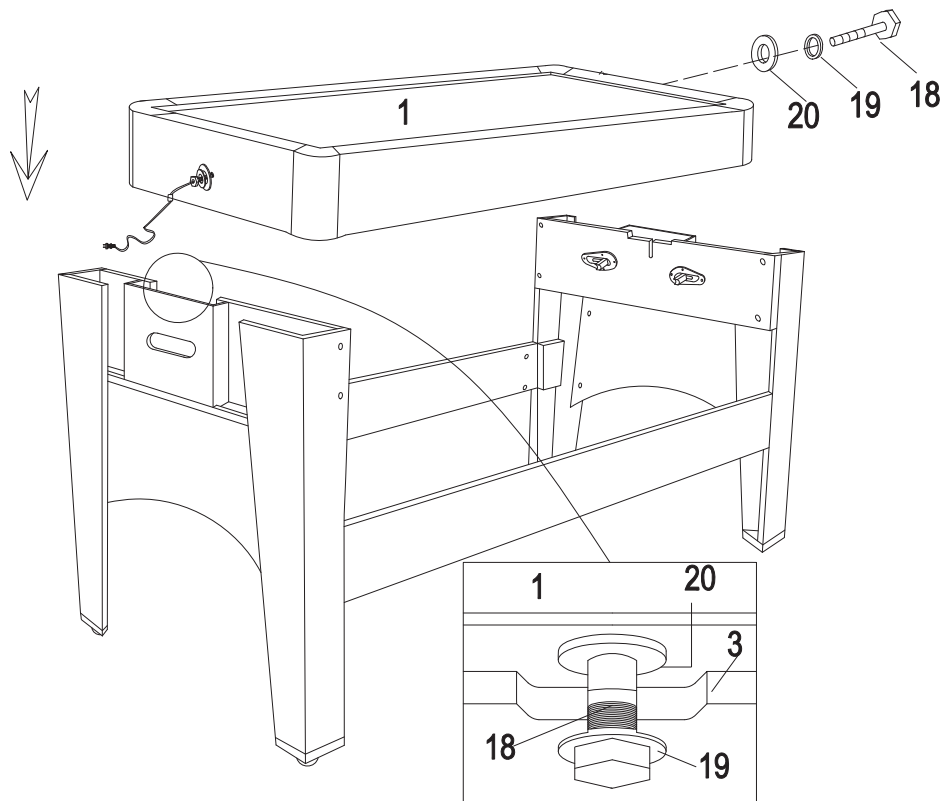
## STEP 6 - ASSEMBLE CABINET (TABLE TOP) TO LEGS

All bolts and screws from previous steps must be tight. Two adults are recommended for this step.

1. Engage all four table locks.
2. Locate the two large bolts (#18). Place a washer (#19) onto each bolt.
3. Place a second washer (#20) onto the bolts.
4. Finger start a bolt into each end of the cabinet (#1).
5. Place the cabinet into position. The bolts will drop into the slots at each end. The smaller washer must be outside the end panel and the plastic washer must be between the end panel and the cabinet.

**NOTE:** The electrical cord must be loose.

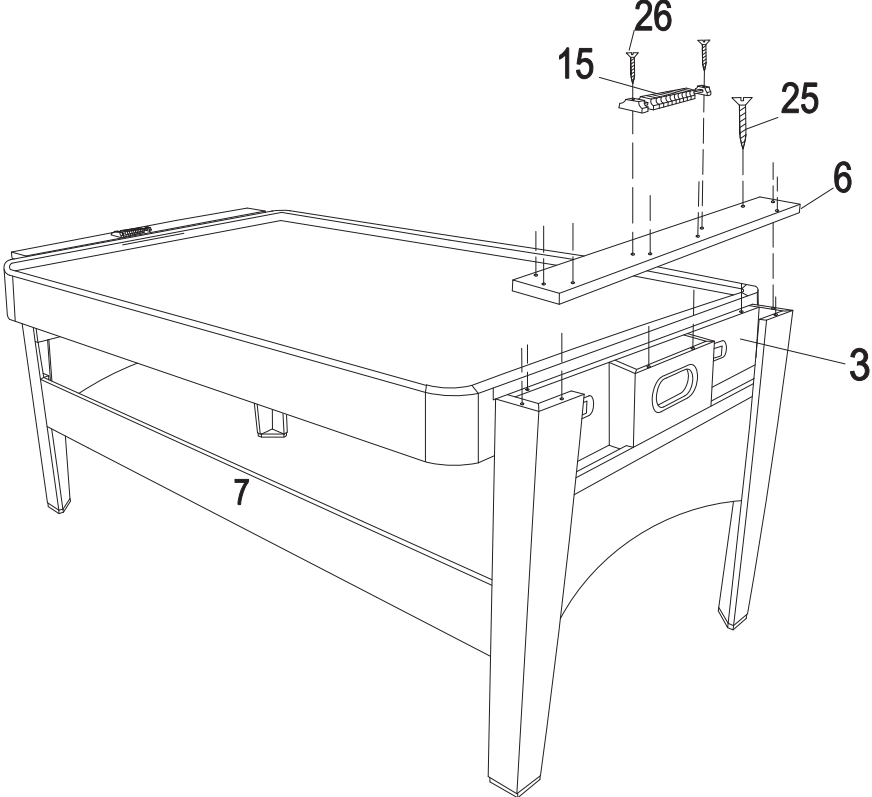
6. Open the table locks. Tighten the bolts until they are snug and the cabinet can rotate smoothly.



# 3 in 1 Game Table

## STEP 7 - ASSEMBLE TOP SIDE PANELS AND SLIDE SCORERS

- 1. Attach the two top end panels (#6) to the top of the end panels (#3) using eight screws (#25) for each top end panel.
- 2. Attach the slide scorers (#15) to the top end panels (#6) using two screws (#26).



## 3 in 1 Game Table

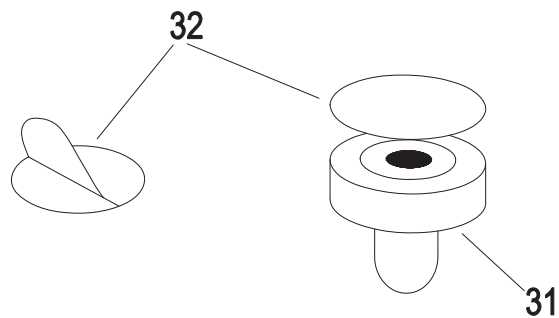
### STEP 8 - ADJUST THE LEVELERS

1. With the help of another person, lock the table in position. Turn each leg leveler until the table rests level.
2. Check with a carpenters level placed cross-wise and length wise on the table top.
3. Re-adjust leg levelers as necessary.

**NOTE:** Rolling a billiard ball slowly on the game table surface will help to determine level.

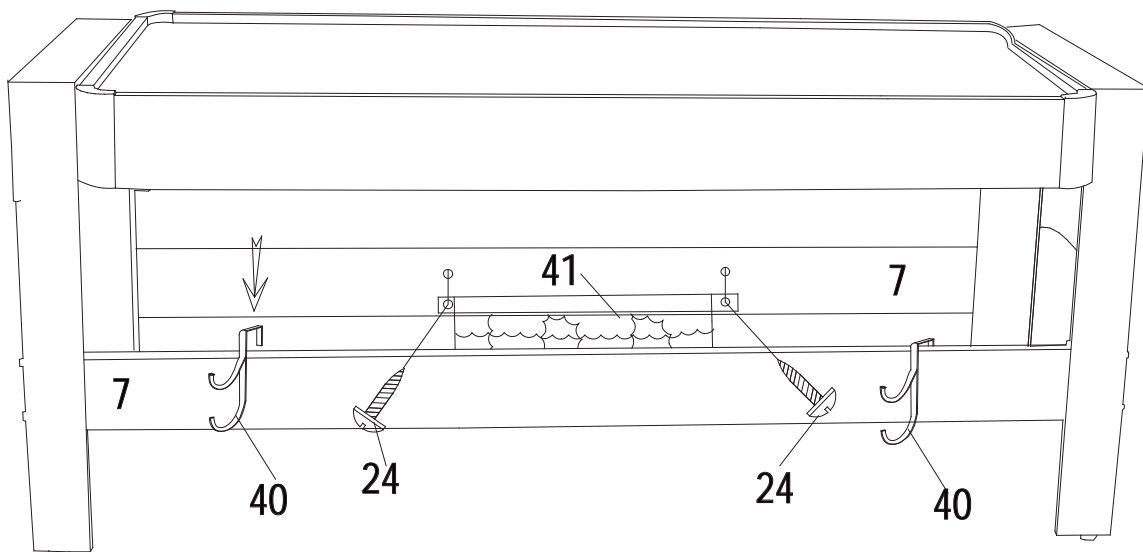
### STEP 9 - ASSEMBLE PUSHERS

1. Peel paper from one of the hockey felt pieces (#32).
2. Attach the felt to the bottom of the pusher (#31).



### STEP 10 - ACCESSORIES

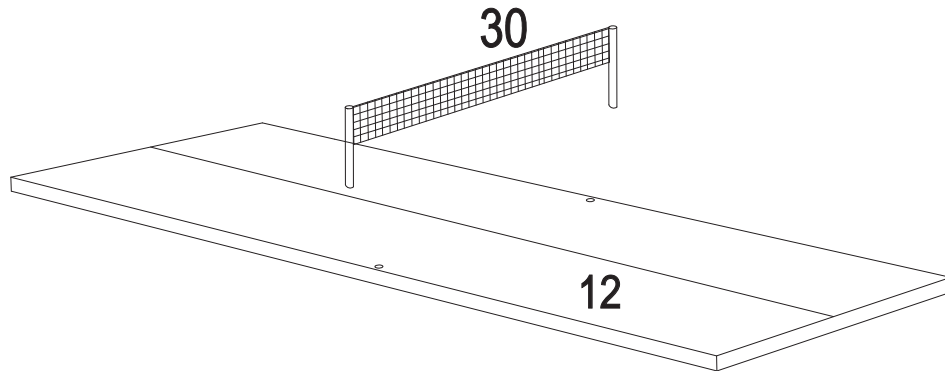
1. Clip the cue holders (#40) in place over a leg brace.
2. Secure the storage organizer (#41) to a leg brace using two screws (#24).



## 3 in 1 Game Table

### STEP 11 - TABLE TENNIS NET WITH POSTS ASSEMBLY

1. When you want to play table tennis, put the tennis surface (#12) carefully on top of the game table.
2. Insert the table tennis net with posts (#30) into the holes of the table tennis surface (#12).



#### To rotate the table:

**CAUTION:** This should be performed by an adult. The rotating table may pinch body parts.

- Before you rotate the table, remove the pool balls.
- Pull out two table locks on one end.
- On the other end, pull out the two table locks.
- Slowly rotate the table.
- Push in the table locks.

#### If the fan does not go on:

- Unplug from electrical outlet.
- The fan is located between the two table tops.
- Inspect wiring for proper connection.

#### If the fan works but the table has dead spots:

- Use a small drill bit and clear the holes by hand. DO NOT use an electric drill. Manually push the drill bit into the holes to clear.
- Polish the air hockey table by spraying a furniture polish onto a rag and wipe onto the table. Do not spray directly onto the table top.

## **3 in 1 Game Table**

### **Care and Use of your Table**

- This product is intended for INDOOR use only.
- DO NOT sit, climb, or lean on the table.
- DO NOT drag the table when moving it. This will damage the legs.
- Keep your table covered. The pool table playing surface can be brushed to keep clean.
- To clean the hard surfaces spray a cloth with a mild cleaner and wipe.
- Pucks that fly off the table may have chipped edges. Inspect the puck and replace if needed.



## ***3 in 1 Game Table***

### ***90 Day Limited Warranty***

This Challenger Manufacturing product is warranted to the original purchaser to be free from defects in material or workmanship for a period of ninety days from the date of the original retail purchase.

This warranty does not cover defects or damage due to improper installation, alteration, accident or any other event beyond the control of the manufacturer. Defects or damage resulting from misuse, abuse or negligence will void this warranty. This warranty does not cover scratching or damage that may result from normal usage.

This product is not intended for institutional or commercial use; Challenger Manufacturing does not assume any liability for such use. Institutional or commercial use will void this warranty.

This warranty is nontransferable and is expressly limited to the repair or replacement of the defective product. During the warranty period, Challenger Manufacturing shall repair or replace defective parts at no cost to the purchaser. Shipping charges and insurance are not covered and are the responsibility of the purchaser. Labor charges and related expenses for removal, installation or replacement of the product or components are not covered under this warranty.

Challenger Manufacturing reserves the right to make substitutions to warranty claims if parts or unavailable or obsolete.

Challenger Manufacturing shall not be liable for loss of use of the product or other consequential or incidental costs, expenses or damages incurred by the consumer of any other use. The user assumes all risk of injury resulting from the use of this product.

This warranty is expressly in lieu of all other warranties, expressed or implied, including warranties of merchantability or fitness for use to the extent permitted by Federal or state law. Neither Challenger Manufacturing nor any of its representatives assumes any other liability in connection with this product.

**All warranty claims must be made through the retailer where the product was originally purchased. A purchase receipt or other proof of date of purchase will be required to process all warranty claims. The model number and part numbers found within the assembly instructions will be required when submitting any parts requests or warranty claims.**

**For further warranty information or inquiries, please call 800-759-0977**

# PARTS LIST

**NG1022M**

NAME:

Product	Description	Parts Identifier Number
NGP5813	TABLE TOP CABINET	1
NGP5814	END PANEL	3
NGP5815	CATCHER BOX	4
NGP5816	BALL RETURN BOARD	5
NGP5817	TOP END PANEL	6
NGP5818	LEG BRACE	7
NGP5819	LEG PANEL	8
NGP5820	LEFT LEG	9
NGP5821	RIGHT LEG	10
NGP5822	LEG BASE	11
NGP5823	TABLE TENNIS SURFACE	12
NGP5824	LEG LEVELER	13
NGP5825	LOCK PIN	14
NGP5826	SLIDE SCORER	15
NGP5827	TABLE TENNIS PADDLE	28
NGP5828	TABLE TENNIS BALL	29
NGP5829	TABLE TENNIS NET & POSTS	30
NGP5830	HOCKEY STRIKER	31
NGP5831	HOCKEY STRIKER FELT	32
NGP5832	HOCKEY PUCK	33
NGP5833	TRIANGLE	34
NGP5834	BILLIARD BALLS	35
NGP5835	CUE STICK	36
NGP5836	CHALK	37
NGP5837	CUE STICK HOLDER	40
NGP5838	STORAGE ORGANIZER	41
NGP5839	BRUSH	42
NGP5840	HARDWARE	2, 16, 17, 18, 19, 20, 21, 22, 23, 24, 25
		26, 27, 38, 43

For replacement parts please call 800-759-0977