

# HARVIL 3-IN-1 POKER TABLE ASSEMBLY INSTRUCTIONS

HARVIL®



NGD2350/NGD2365

THANK YOU!

HARVIL®

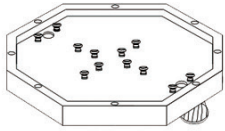


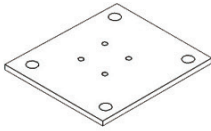
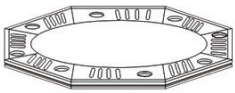
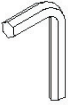
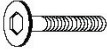




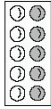

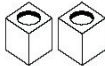
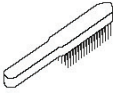
Thank you for your purchase of this Harvil product.

We work around the clock and around the globe to ensure that Harvil products maintain the highest possible quality. However, in the rare instance that your product is defective or missing parts, contact your retailer to submit parts requests or warranty claims. Please read the warranty information at the back of these assembly instructions for further details.

**IMPORTANT! PLEASE READ THESE ASSEMBLY INSTRUCTIONS  
IN ENTIRETY BEFORE ASSEMBLING YOUR PRODUCT.**

# PARTS IDENTIFIER (NOT TO SCALE)

## TABLE


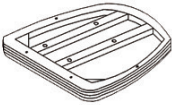
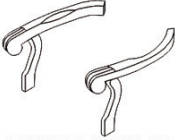



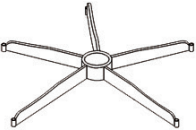



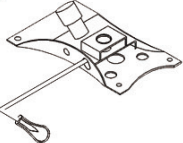



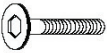

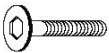

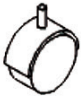


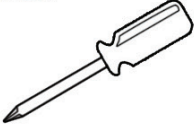
<p>#1</p>  <p><b>TABLE BODY</b> 1 pc</p>	<p>#2</p>  <p><b>LEG</b> 4 pcs</p>	<p>#3</p>  <p><b>PEDESTAL</b> 1 pc</p>	<p>#4</p>  <p><b>PLATE</b> 1 pc</p>	<p>#5</p>  <p><b>TABLE TOP</b> 1 pc</p>
<p>#6</p>  <p><b>HEX WRENCH</b> 1 pc</p>	<p>#7</p>  <p><b>BOLT</b> 4 pcs</p>	<p>#8</p>  <p><b>FLAT WASHER</b> 16 pcs</p>	<p>#9</p>  <p><b>WRENCH</b> 1 pc</p>	<p>#10</p>  <p><b>NUT</b> 12 pcs</p>
<p>#11</p>  <p><b>LEG LEVELER</b> 1 pc</p>	<p>#12</p>  <p><b>BUMPER POOL BALLS</b> 1 SET</p>	<p>#13</p>  <p><b>BUMPER POOL CUE STICK</b> 2 pcs</p>	<p>#14</p>  <p><b>CHALK</b> 2 pcs</p>	<p>#15</p>  <p><b>BRUSH</b> 1 pc</p>

# PARTS IDENTIFIER (NOT TO SCALE)



## CHAIRS

\*NUMBER IN ( ) REQUIRED FOR EACH CHAIR

<p>#16</p>  <p><b>BACK FRAME</b> 4 pcs (1)</p>	<p>#17</p>  <p><b>SEAT FRAME</b> 4 pcs (1)</p>	<p>#18A/18B</p>  <p><b>A - RIGHT ARM REST</b> <b>B - LEFT ARM REST</b> 4 pcs (1)</p>	<p>#19</p>  <p><b>BACK CUSHION</b> 4 pcs (1)</p>	<p>#20</p>  <p><b>SEAT CUSHION</b> 4 pcs (1)</p>
<p>#21</p>  <p><b>LEG COVER</b> 20 pcs (5)</p>	<p>#22</p>  <p><b>BASE</b> 4 pcs (1)</p>	<p>#23</p>  <p><b>BASE CAP</b> 4 pcs (1)</p>	<p>#24</p>  <p><b>LIFT COVER</b> 4 pcs (1)</p>	<p>#25</p>  <p><b>SEAT LIFT</b> 4 pcs (1)</p>
<p>#26</p>  <p><b>SEAT ADJUSTER</b> 4 pcs (1)</p>	<p>#27</p>  <p><b>12mm FLAT WASHER</b> 24 pcs (6)</p>	<p>#28</p>  <p><b>16mm FLAT WASHER</b> 28 pcs (7)</p>	<p>#29</p>  <p><b>19mm FLAT WASHER</b> 16 pcs (4)</p>	<p>#30</p>  <p><b>1-3/4" BOLT</b> 36 pcs (9)</p>
<p>#31</p>  <p><b>3" BOLT</b> 16 pcs (4)</p>	<p>#32</p>  <p><b>1-1/4" BOLT</b> 16 pcs (4)</p>	<p>#33</p>  <p><b>1-1/2" SCREW</b> 16 pcs (4)</p>	<p>#34</p>  <p><b>CASTER WHEEL</b> 20 pcs (5)</p>	<p>#35</p>  <p><b>HEX WRENCH</b> 1 pc</p>
<p>#36</p>  <p><b>WOOD CAP</b> 16 pcs (4)</p>	<p>ADDITIONAL EQUIPMENT REQUIRED:</p>  <p><b>PHILLIPS HEAD SCREWDRIVER</b></p>			

1. Find a clean, level surface to begin the assembly of your game table. The table will be partially assembled upside down and then turned over onto its legs. This is a heavy game and turning it over will require at least two strong adults.
2. Remove all of the contents from box and verify that you have all of the parts shown on the Parts Identifier before you begin assembly. **Note: Some parts may be pre-installed or pre-assembled.**
3. Some figures or drawings may not look exactly like your product. Please read and understand the text before beginning each assembly step.
4. When installing parts that have more than one screw or bolt, hand tighten all screws or bolts in place before finishing tightening with screwdriver or hex wrench.
5. Electric screwdrivers may be helpful during assembly; however, please set a low torque and use extreme caution because screws may be stripped or overtightened if the electric screwdriver's torque is set too high.

### **WARNINGS!**

READ AND FOLLOW ALL ASSEMBLY, OPERATION AND SAFETY INSTRUCTIONS CAREFULLY.

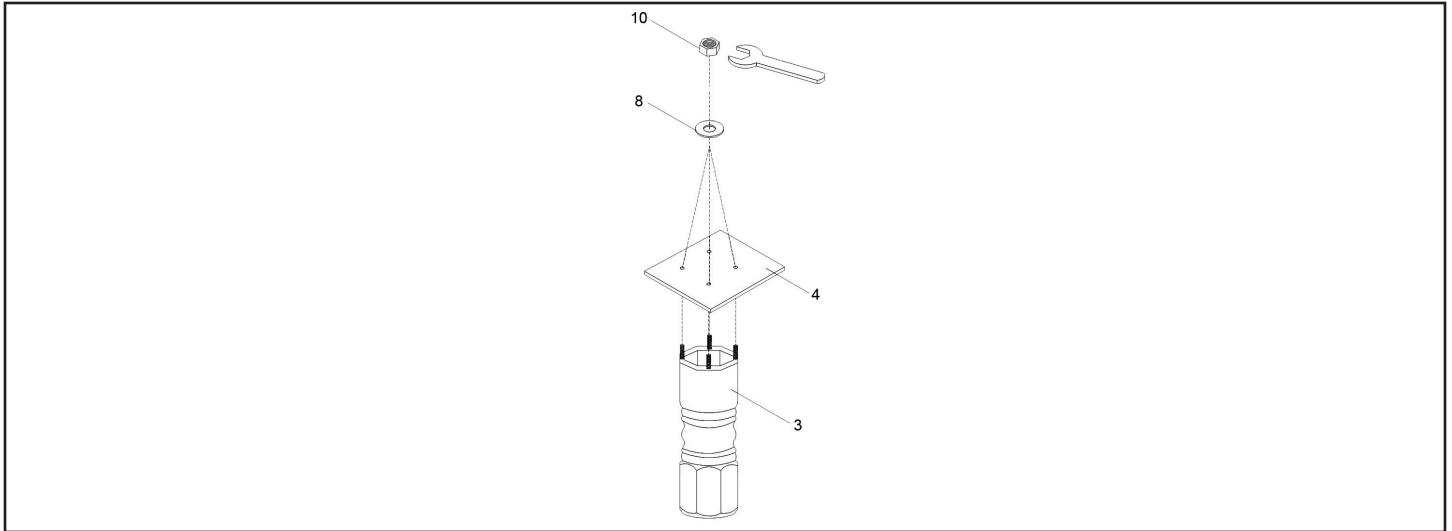
CHOKER HAZARD - THIS TABLE CONTAINS SMALL PARTS - NOT SUITABLE FOR CHILDREN UNDER 3 YEARS OF AGE.

# ASSEMBLY INSTRUCTIONS

HARVIL®

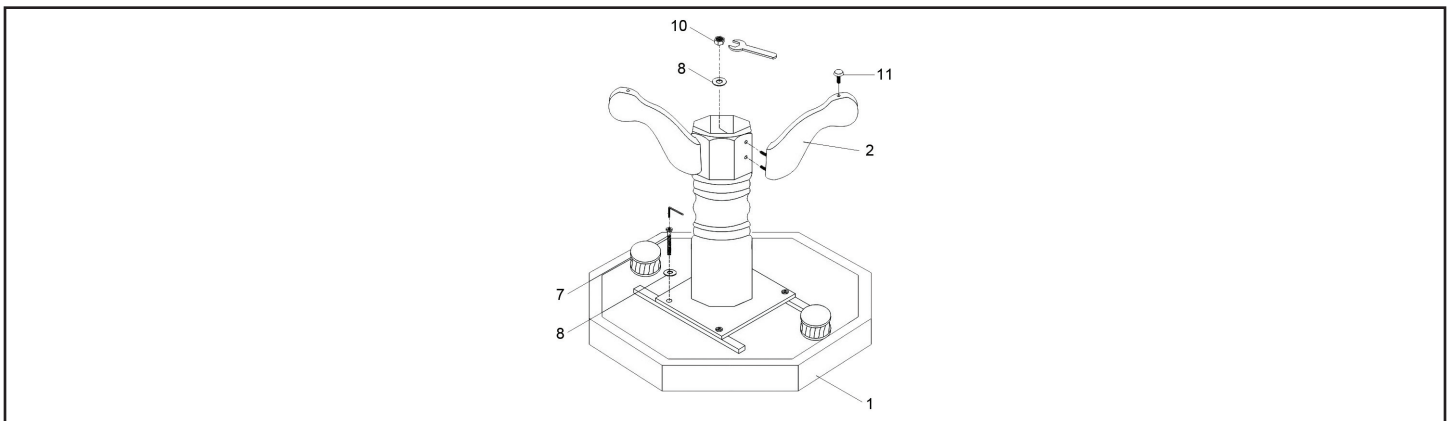
## TABLE

1. Attach PLATE #4 to PEDESTAL #3 with NUT #10 and FLAT WASHER #8.

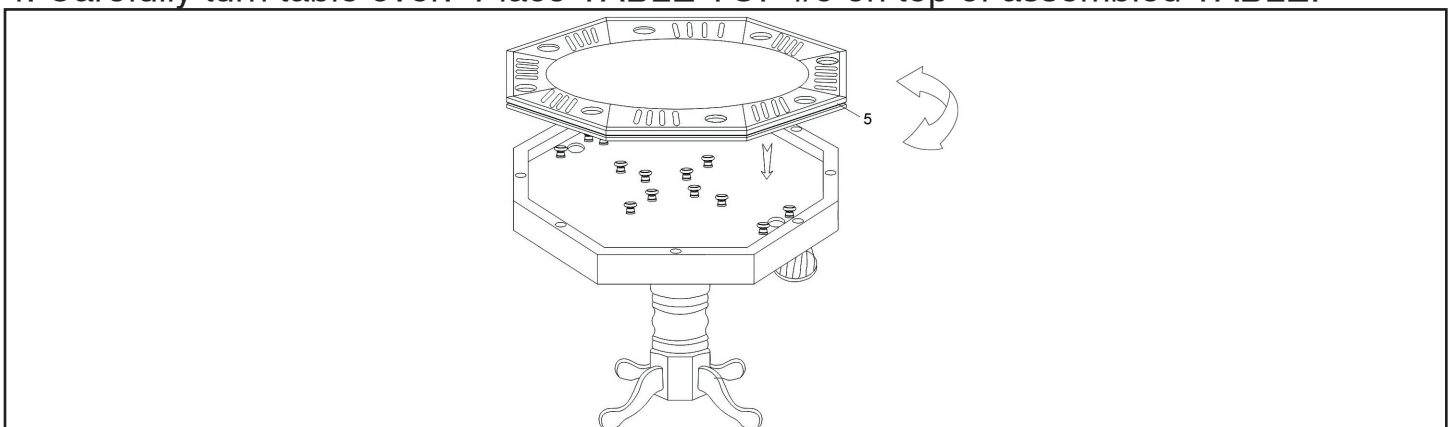


2. Attach assembled PEDESTAL to the bottom of the TABLE BODY #1 with BOLT #7 and FLAT WASHER #8.

3. Attach LEGS #2 to PEDESTAL with NUT #10 and FLAT WASHER #8. Thread one LEG LEVELER #11 onto each LEG.



4. Carefully turn table over. Place TABLE TOP #5 on top of assembled TABLE.

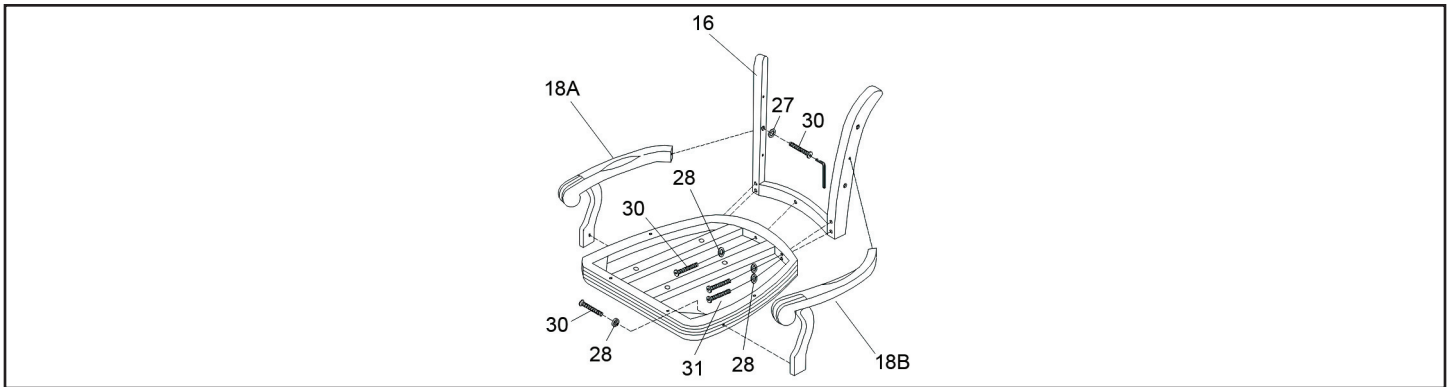


# ASSEMBLY INSTRUCTIONS

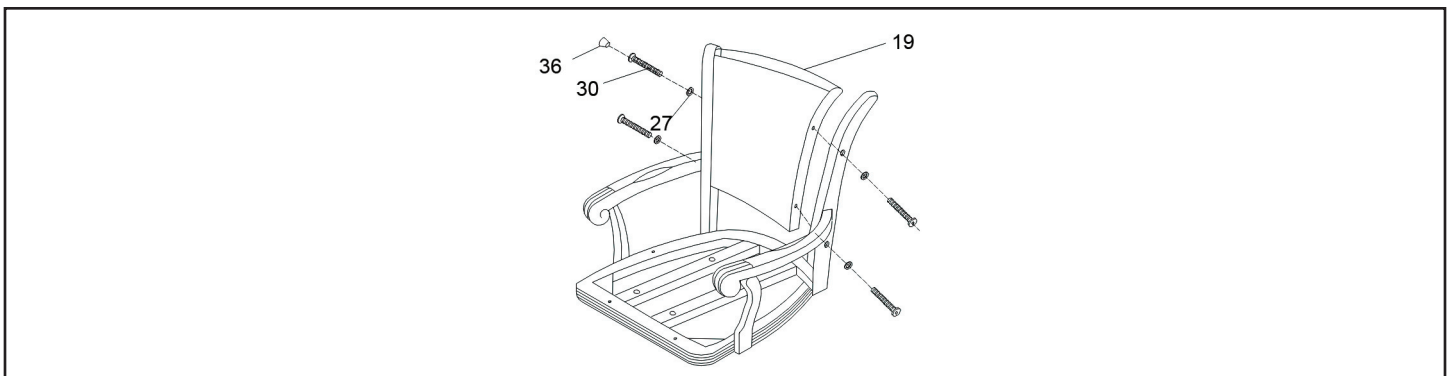
HARVIL®

## CHAIRS

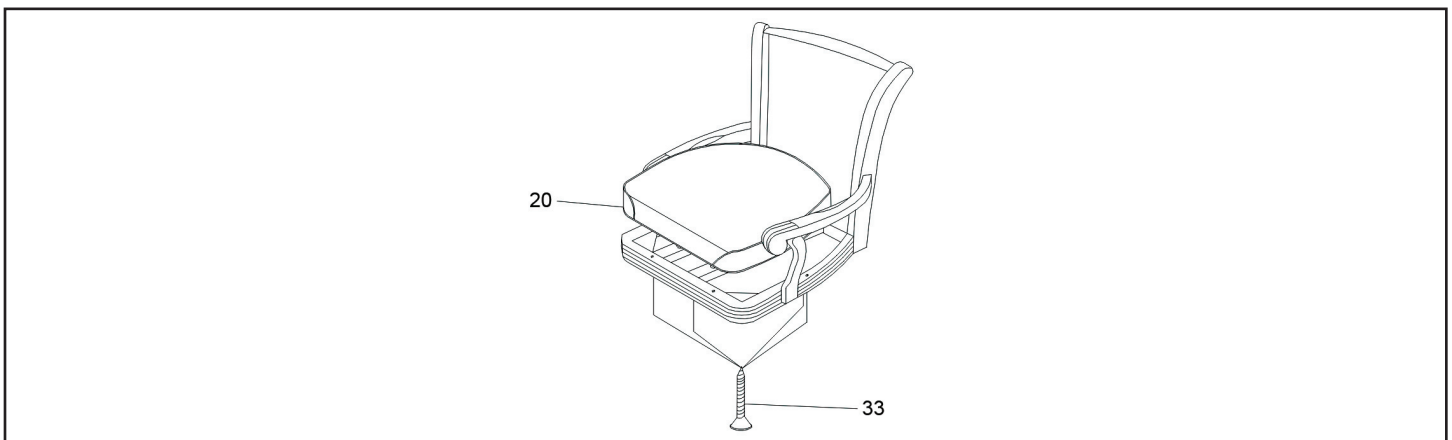
1. Attach BACK FRAME #16 to SEAT FRAME #17 with one 1-3/4" BOLT #30 and one 16mm FLAT WASHER #28 and four 3" BOLTS #31 and four 16mm FLAT WASHERS #28 as shown.
2. Attach RIGHT ARMREST #18A and LEFT ARMREST #18B to SEAT FRAME with 1-3/4" BOLT #30 and 16mm FLAT WASHER #28 and to BACK FRAME with 1-3/4" BOLT #30 and 12mm FLAT WASHER #27.



3. Attach BACK CUSHION #19 to BACK FRAME with 1-3/4" BOLT #30 and 12mm FLAT WASHER #27. Insert WOOD CAPS #36 into BACK FRAME to cover BOLTS.



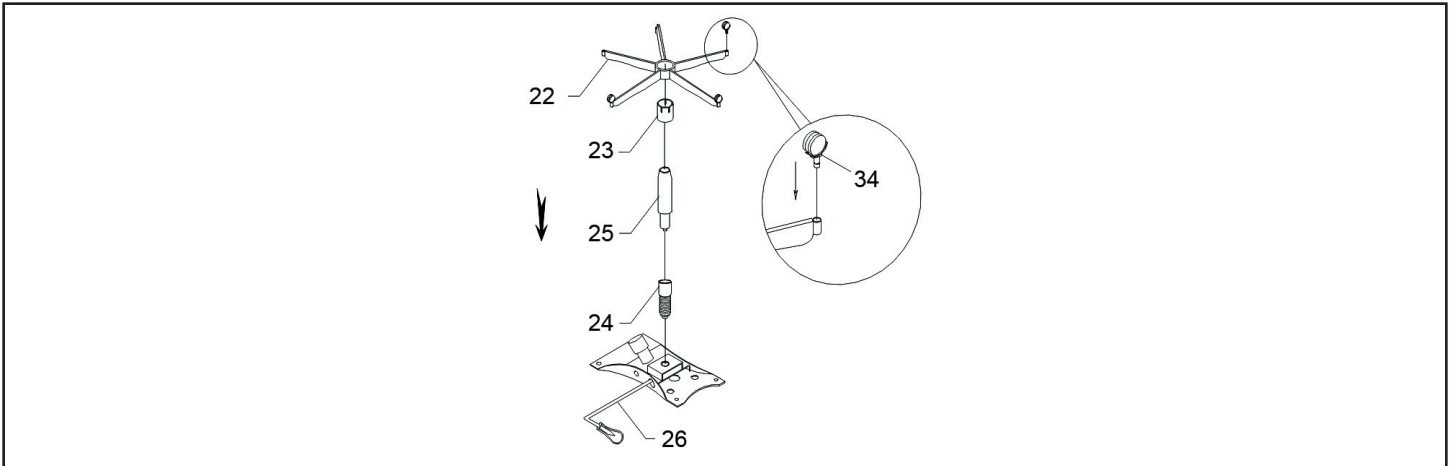
4. Attach SEAT CUSHION #20 to SEAT FRAME with 1-1/2" SCREW #33.



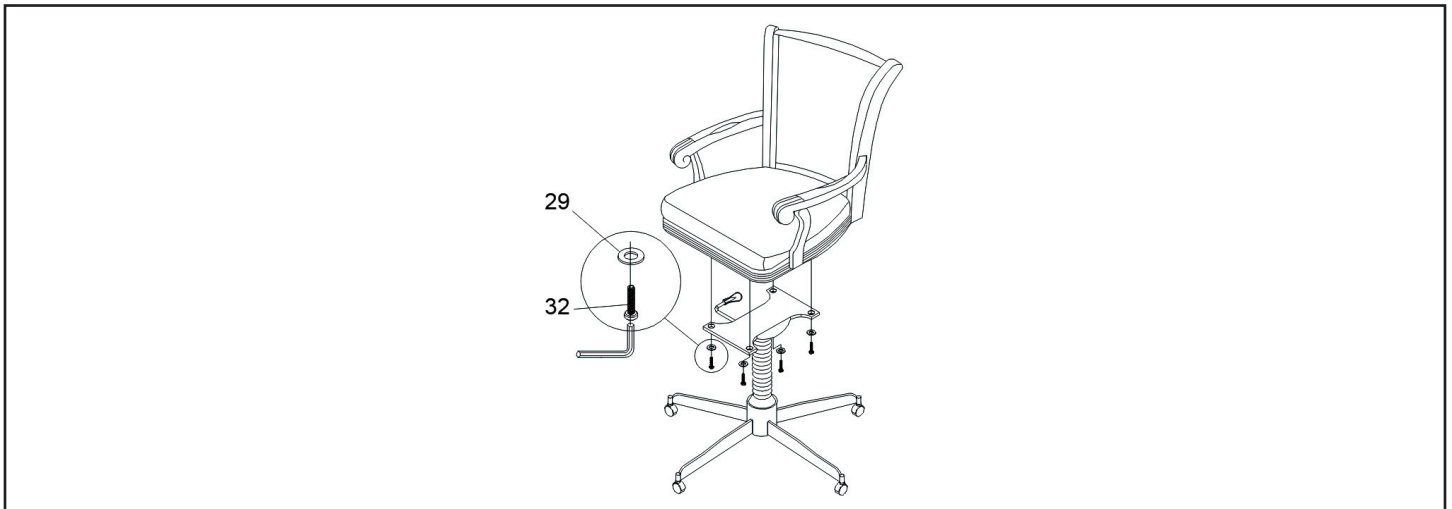


## CHAIRS

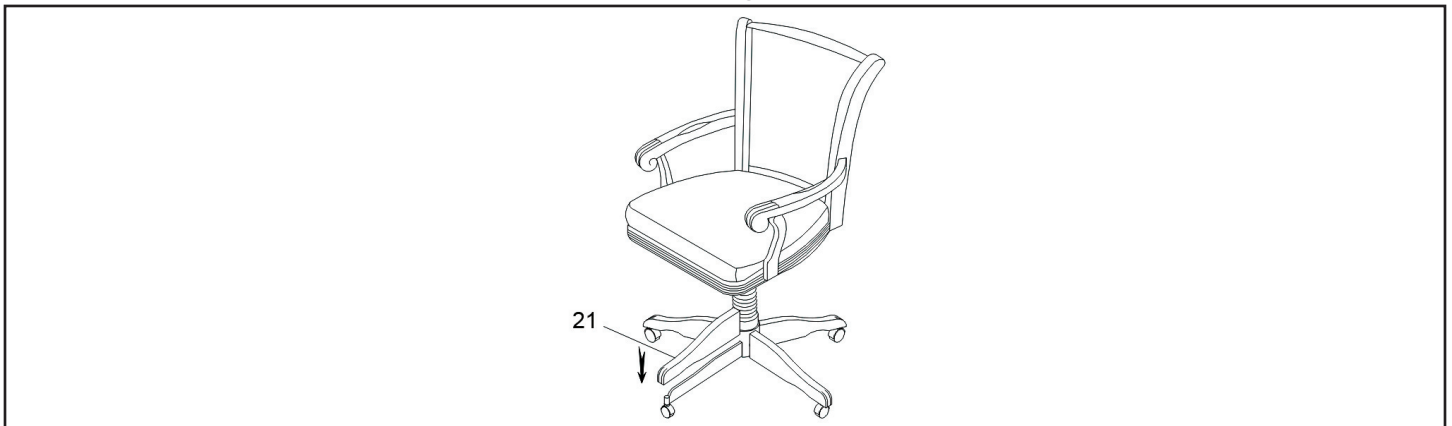
5. Attach one CASTER WHEEL #34 to each leg of the BASE #22 as shown. Attach BASE CAP #23, SEAT LIFT #25 and LIFT COVER #24 to BASE #22 and SEAT ADJUSTER #26 as shown.



6. Attach assembled SEAT to assembled BASE with 1-1/4" BOLT #32 and 19mm FLAT WASHER #29.



7. Attach one LEG COVER #21 onto each leg of the BASE.





CONGRATULATIONS!

HARVIL®

You have now assembled your Harvil Game Table. Please note the Care and Use instructions below to ensure years of trouble free use of your game table.

## **CARE AND USE**

1. This product is intended for INDOOR use only.
2. Do NOT sit, climb or lean on the table.
3. Do NOT drag the table when moving it as this will damage the legs.

## 1-YEAR LIMITED WARRANTY

HARVIL®

This Harvil product is warranted to the original purchaser to be free from defects in material or workmanship for a period of one year from the date of the original retail purchase.

This warranty does not cover defects or damage due to improper installation, alteration, accident or any other event beyond the control of the manufacturer. Defects or damage resulting from misuse, abuse or negligence will void this warranty. This warranty does not cover scratching or damage that may result from normal usage.

This product is not intended for institutional or commercial use; Harvil does not assume any liability for such use. Institutional or commercial use will void this warranty.

This warranty is nontransferable and is expressly limited to the repair or replacement of the defective product. During the warranty period, Harvil shall repair or replace defective parts at no cost to the purchaser. Shipping charges and insurance are not covered and are the responsibility of the purchaser. Labor charges and related expenses for removal, installation or replacement of the product or components are not covered under this warranty.

Harvil reserves the right to make substitutions to warranty claims if parts are unavailable or obsolete.

Harvil shall not be liable for loss of use of the product or other consequential or incidental costs, expenses or damages incurred by the consumer of any other use. The user assumes all risk of injury resulting from the use of this product.

This warranty is expressly in lieu of all other warranties, expressed or implied, including warranties of merchantability or fitness for use to the extent permitted by Federal or state law. Neither Harvil nor any of its representatives assumes any other liability in connection with this product.

**All warranty claims must be made through the retailer where the product was originally purchased. A purchase receipt or other proof of date of purchase will be required to process all warranty claims. The model number and part numbers found within the assembly instructions will be required when submitting any parts requests or warranty claims.**

**For further warranty information or inquiries, please call 800-759-0977**